

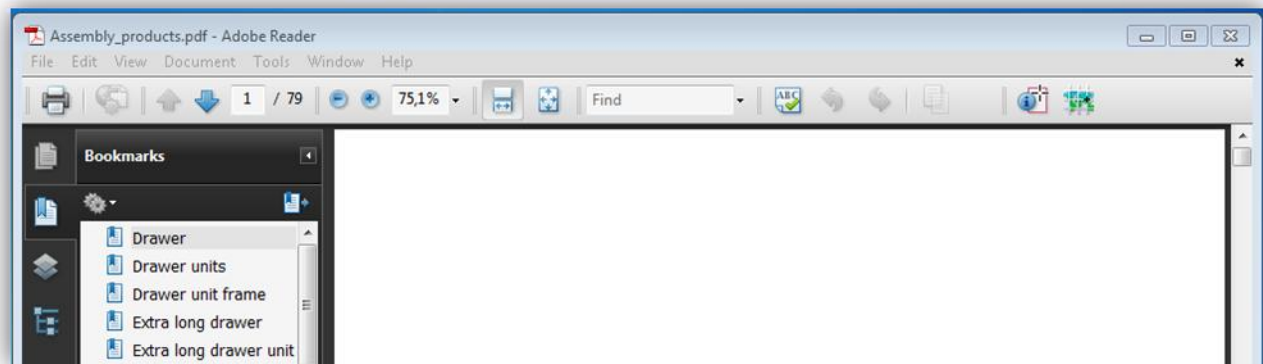
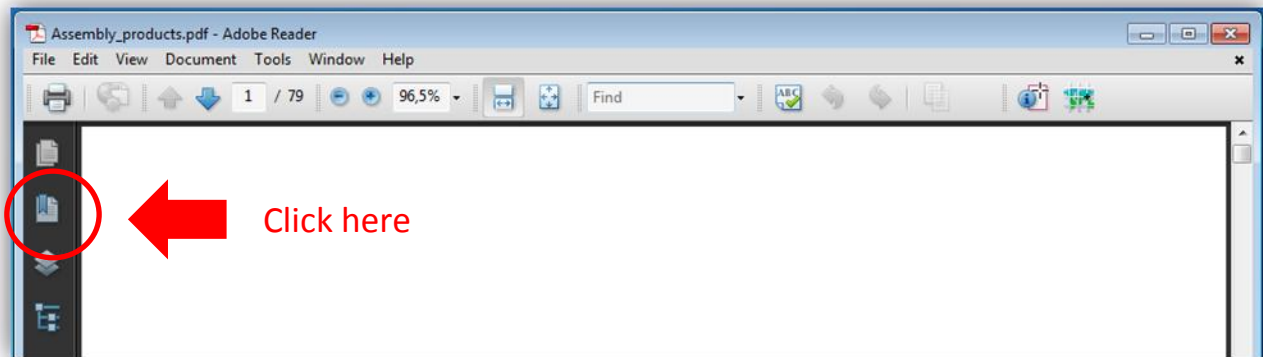
Modul-System

Assembly instructions



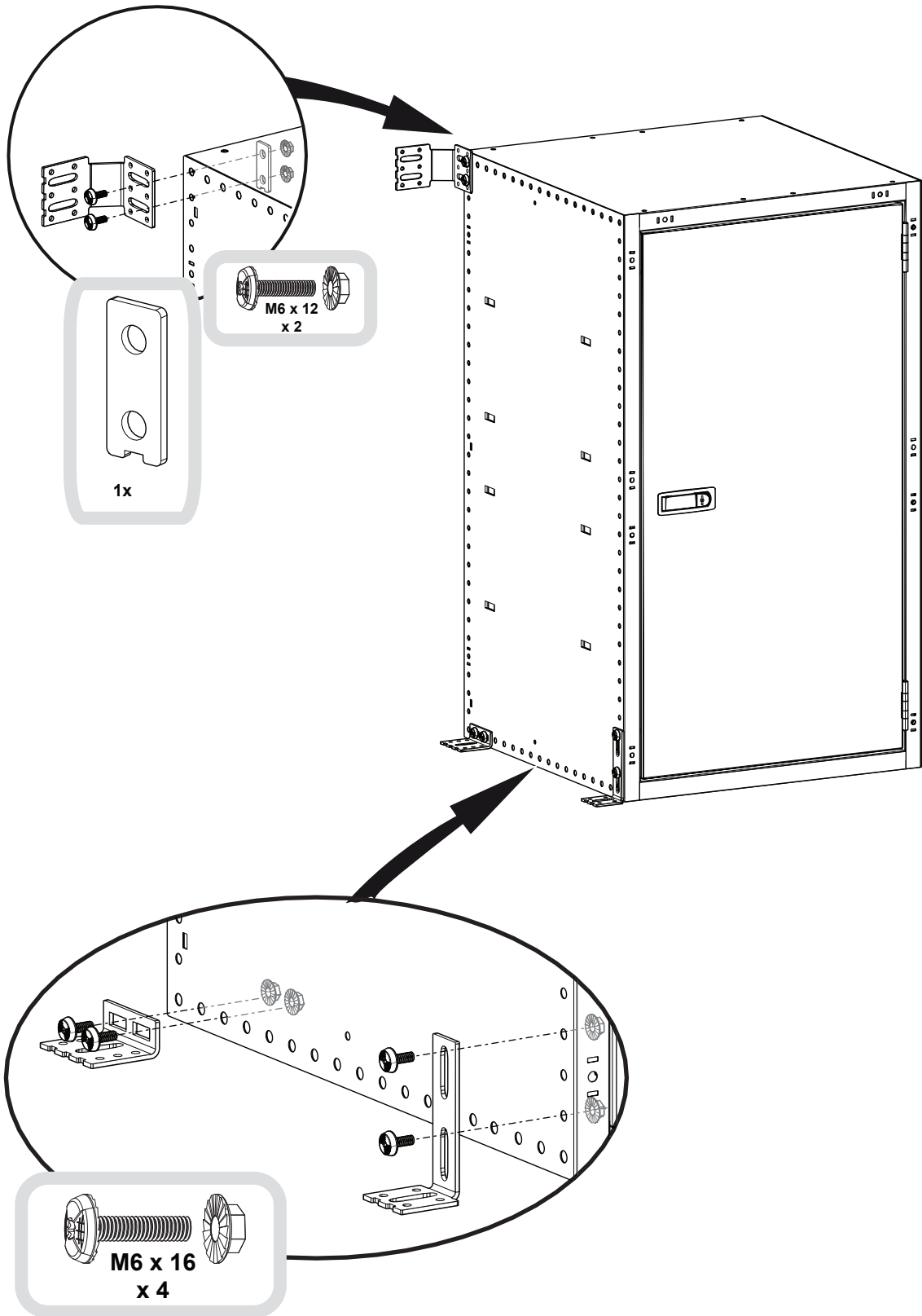
Navigating in the document

You navigate in the document by using the Bookmarks toolbar. If you are using Adobe Reader you find the menu in the left tool bar.

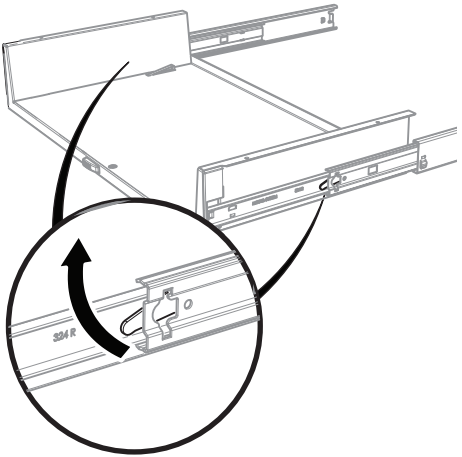


If you do not have Adobe Reader you can download it by [clicking here](#).

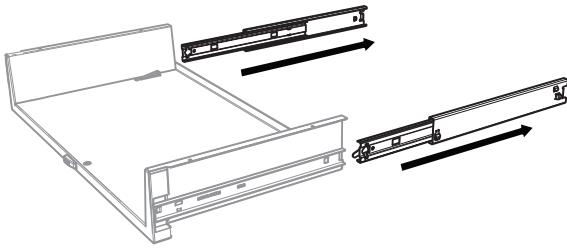
1



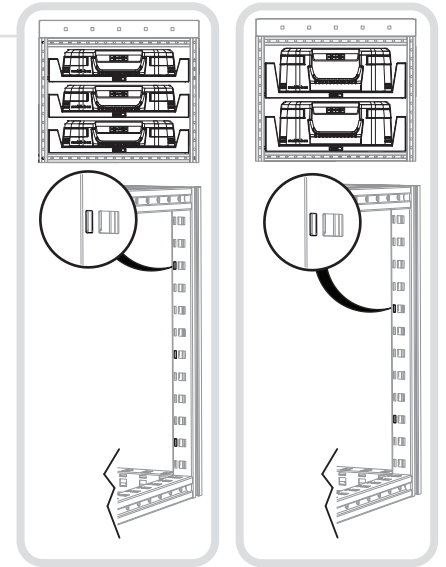
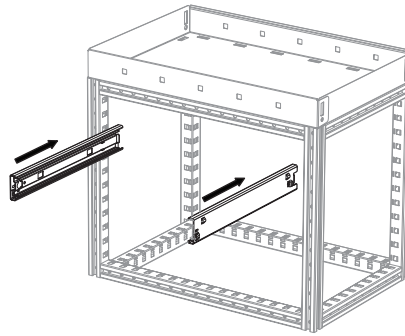
1



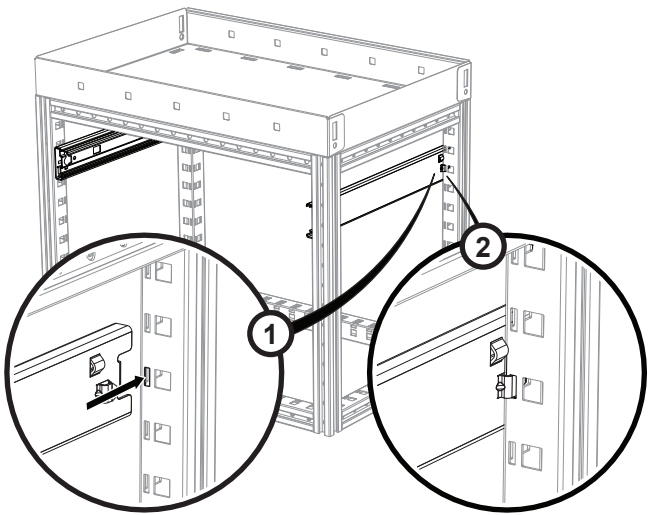
2



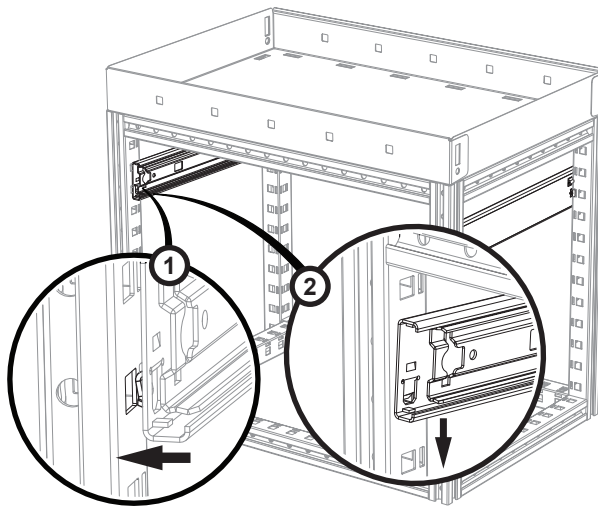
3



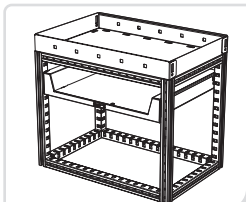
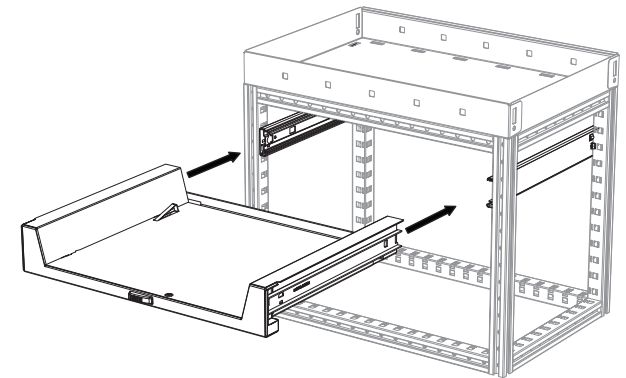
4



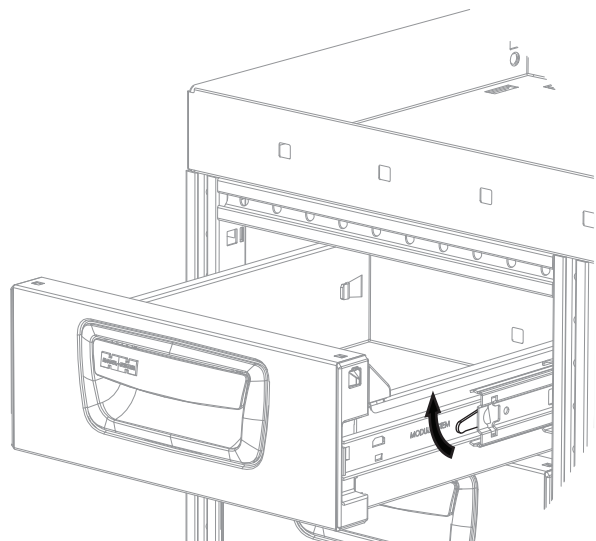
5



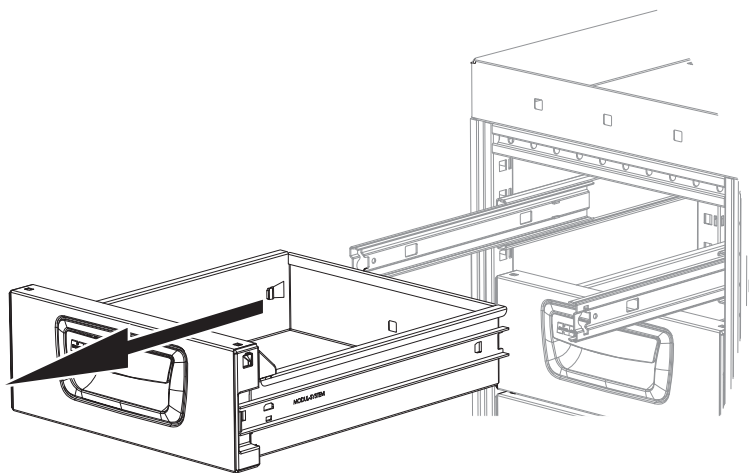
6



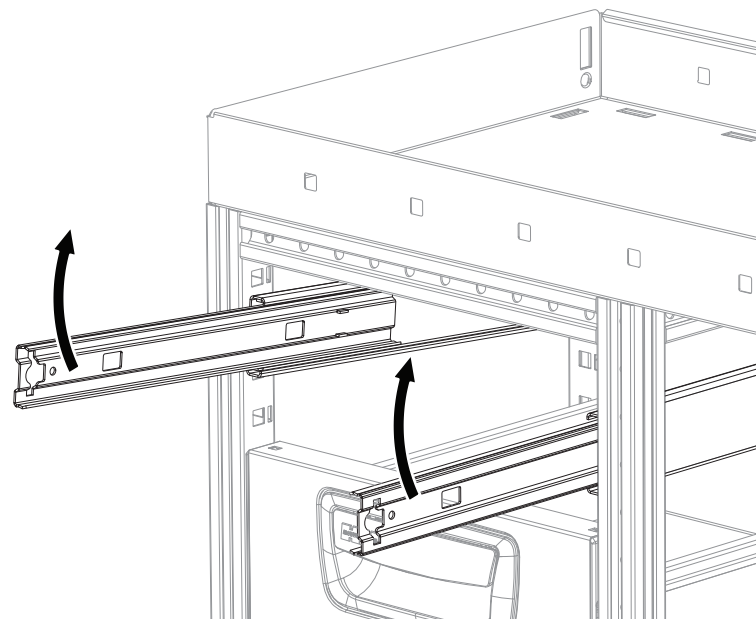
1



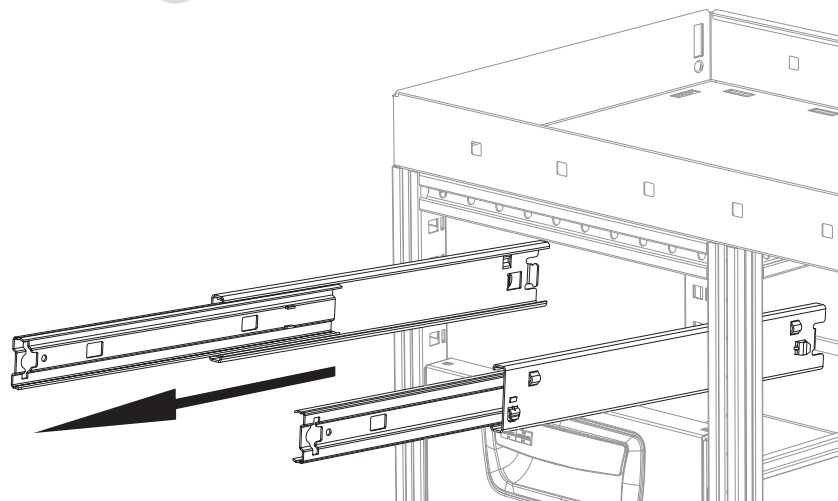
2

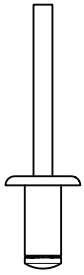


3

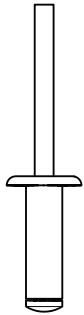


4



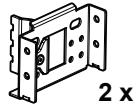


4.8 x 9.3



4.8 x 15

1

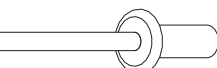
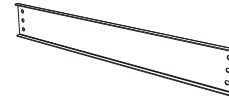


2 x

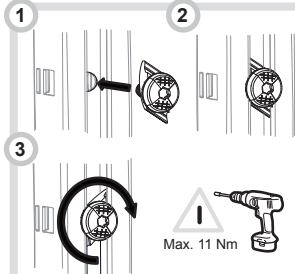
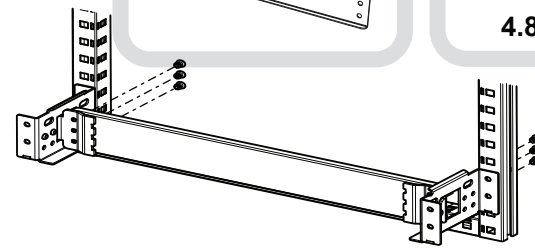


(4x) M6 x 16

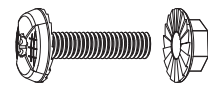
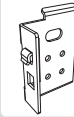
2



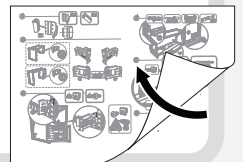
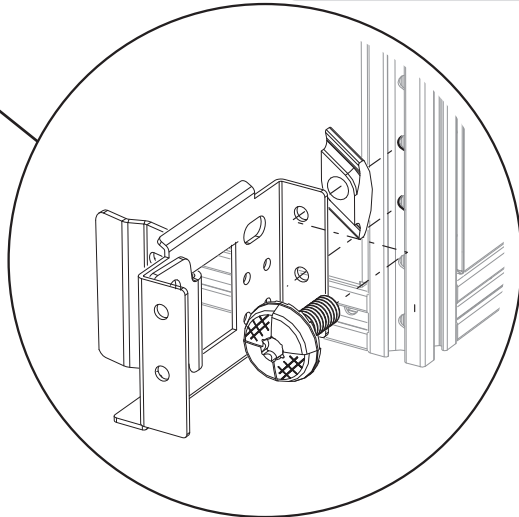
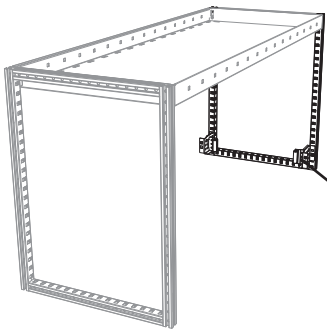
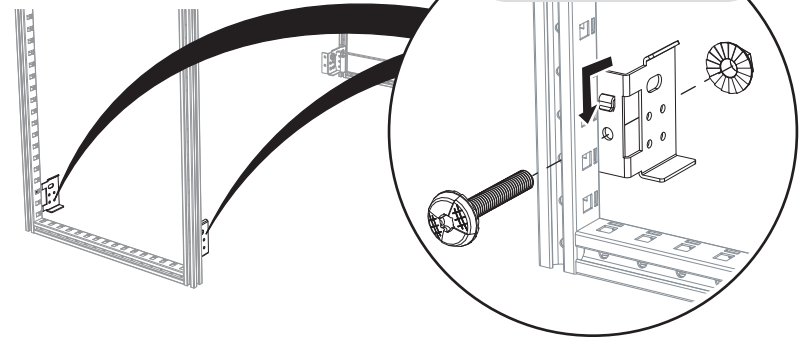
4.8 x 15 (6x)



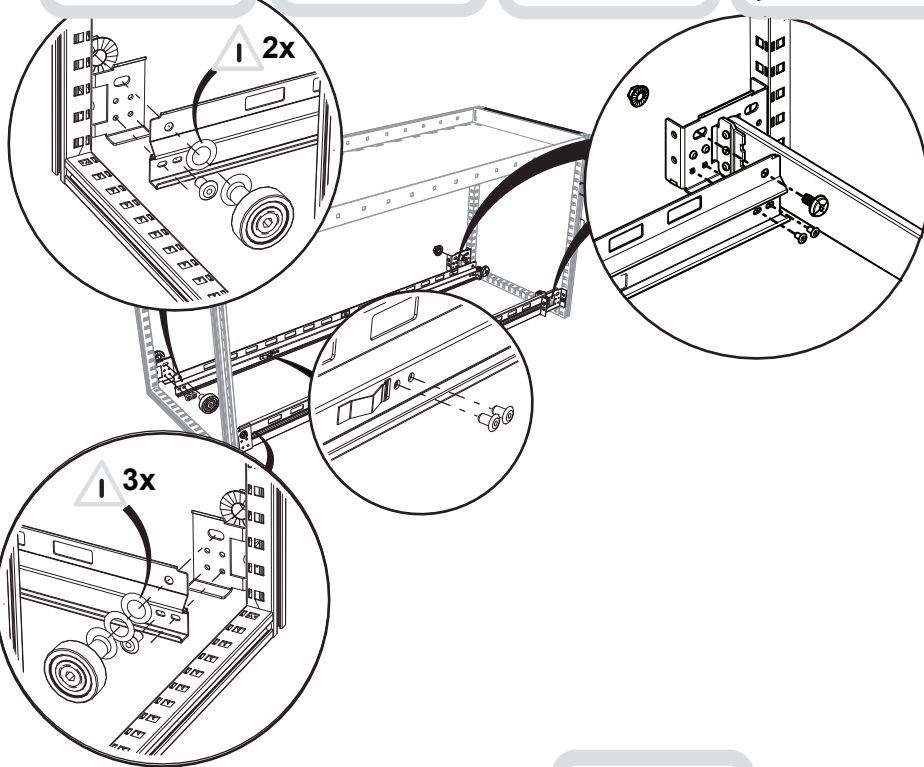
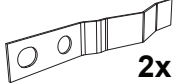
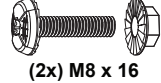
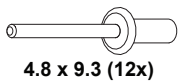
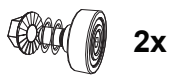
3



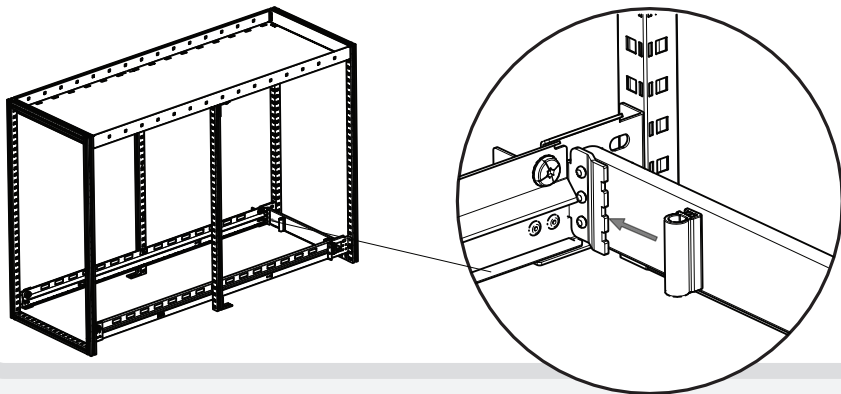
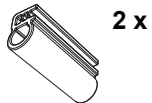
(2x) M6 x 40



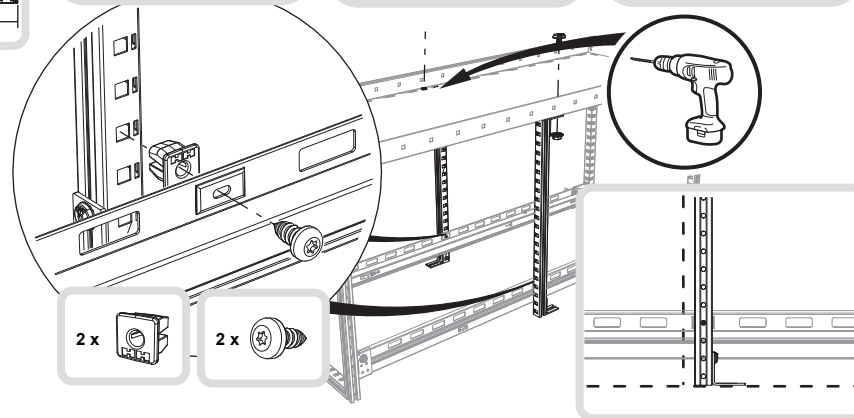
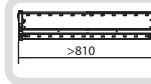
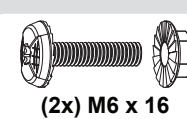
4



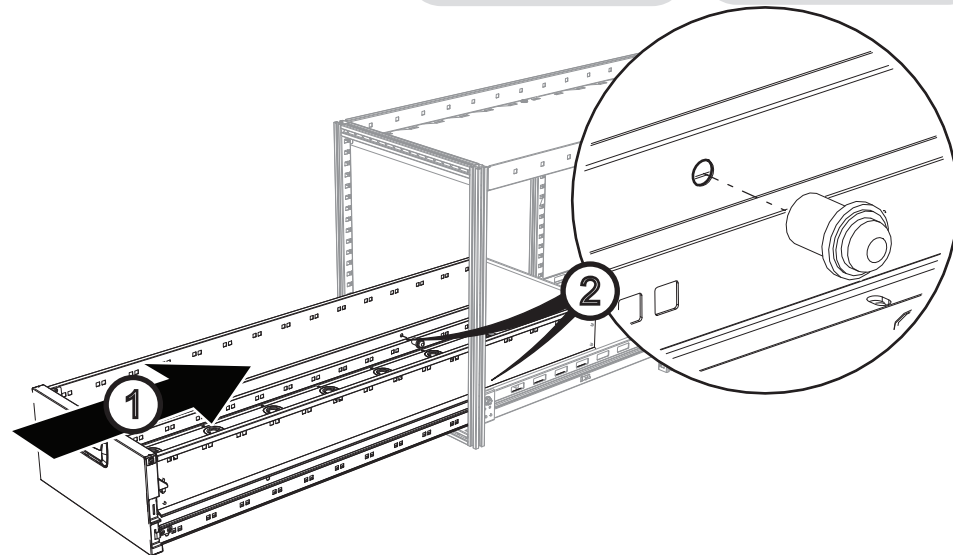
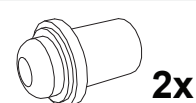
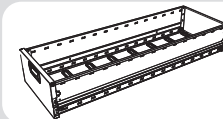
5



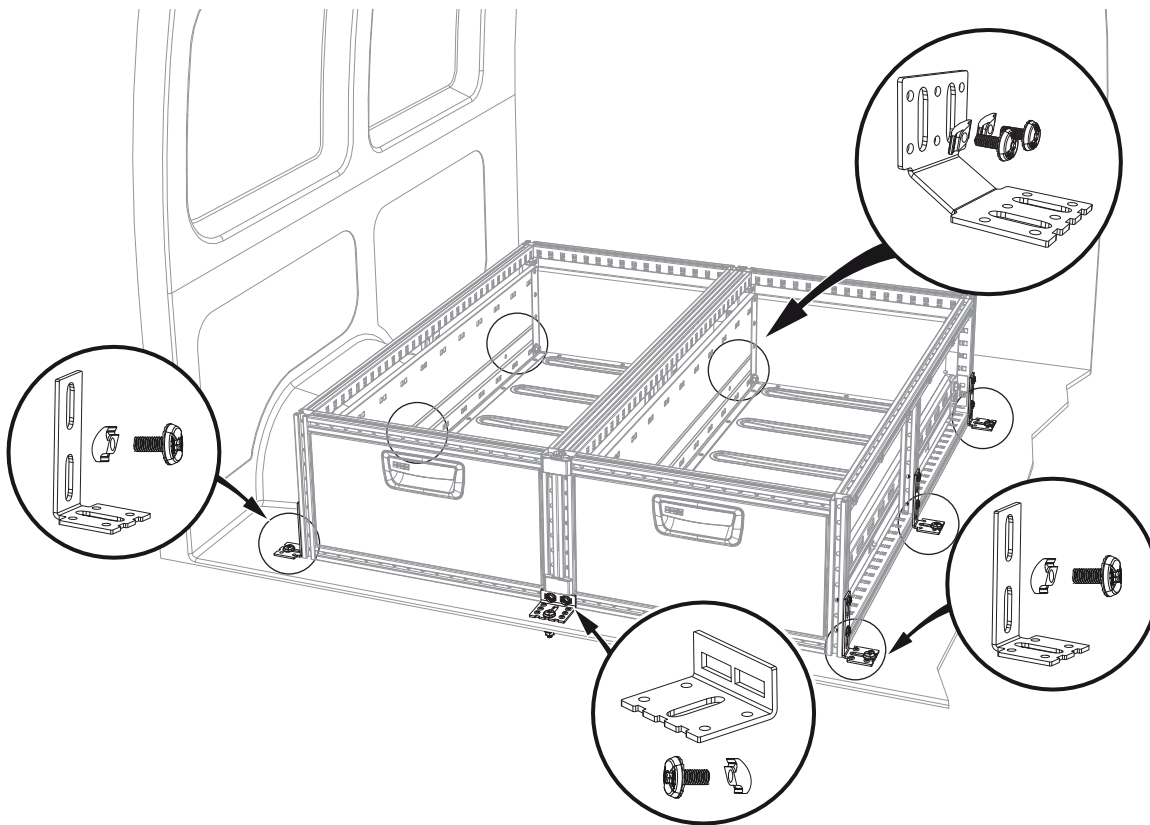
6



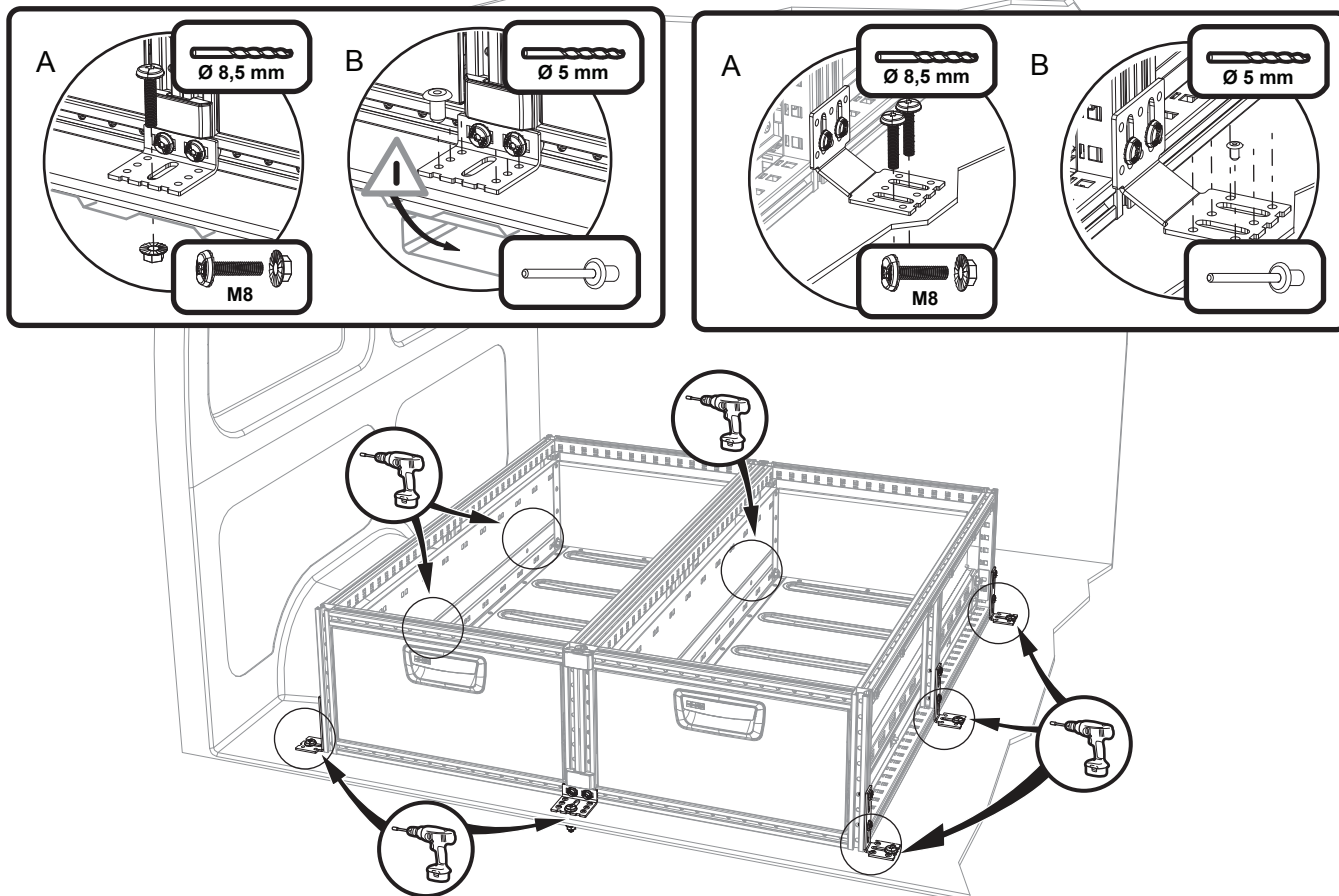
7



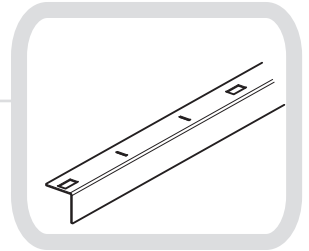
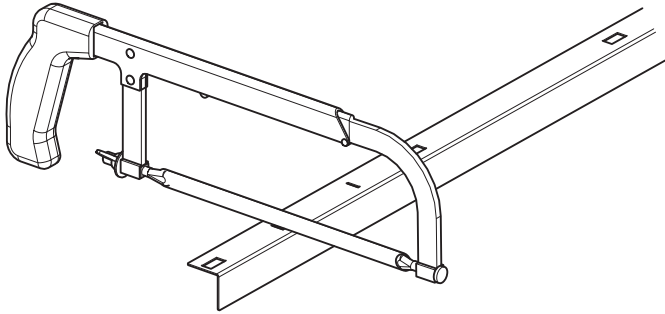
1



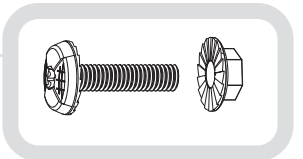
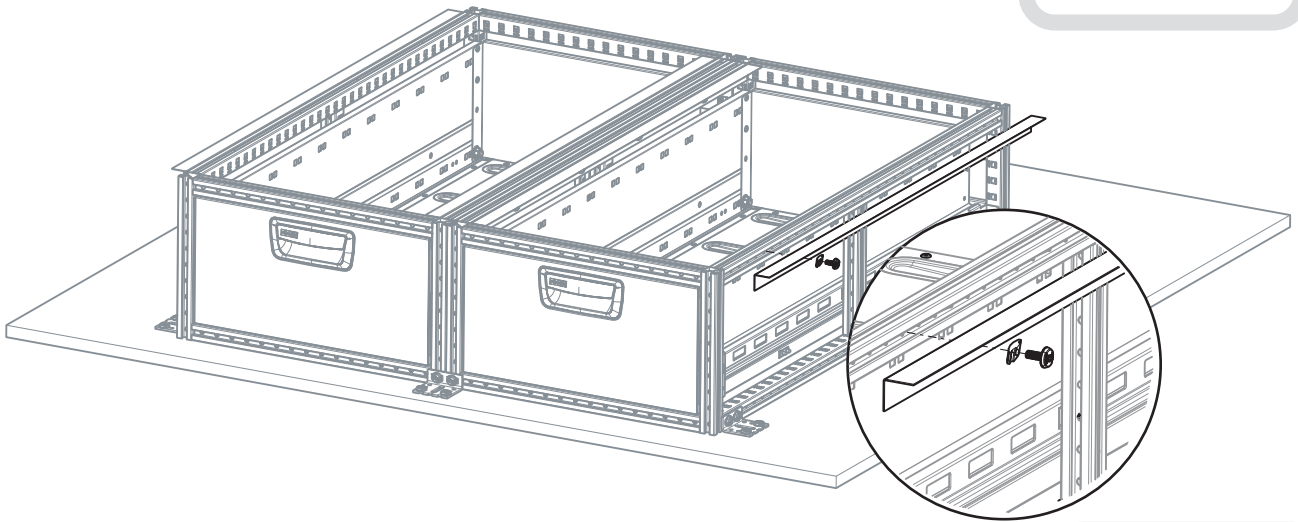
2



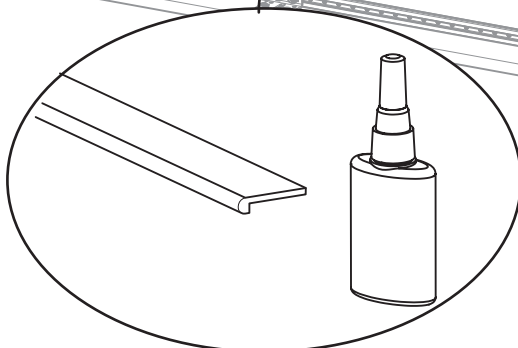
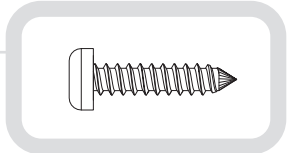
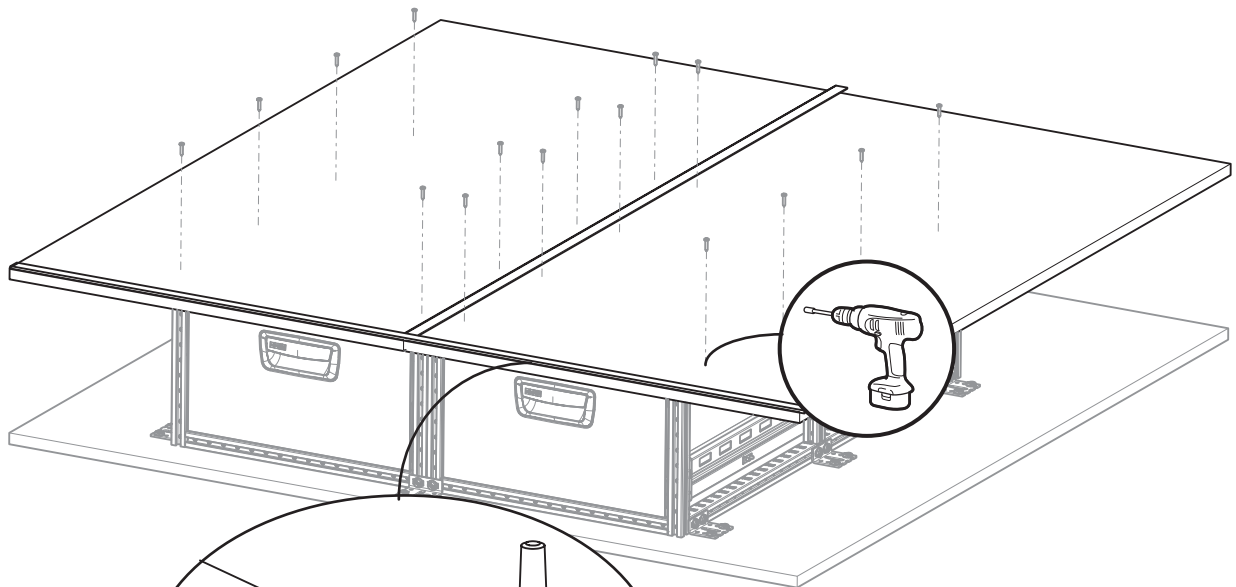
3



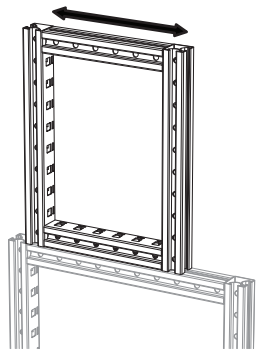
4



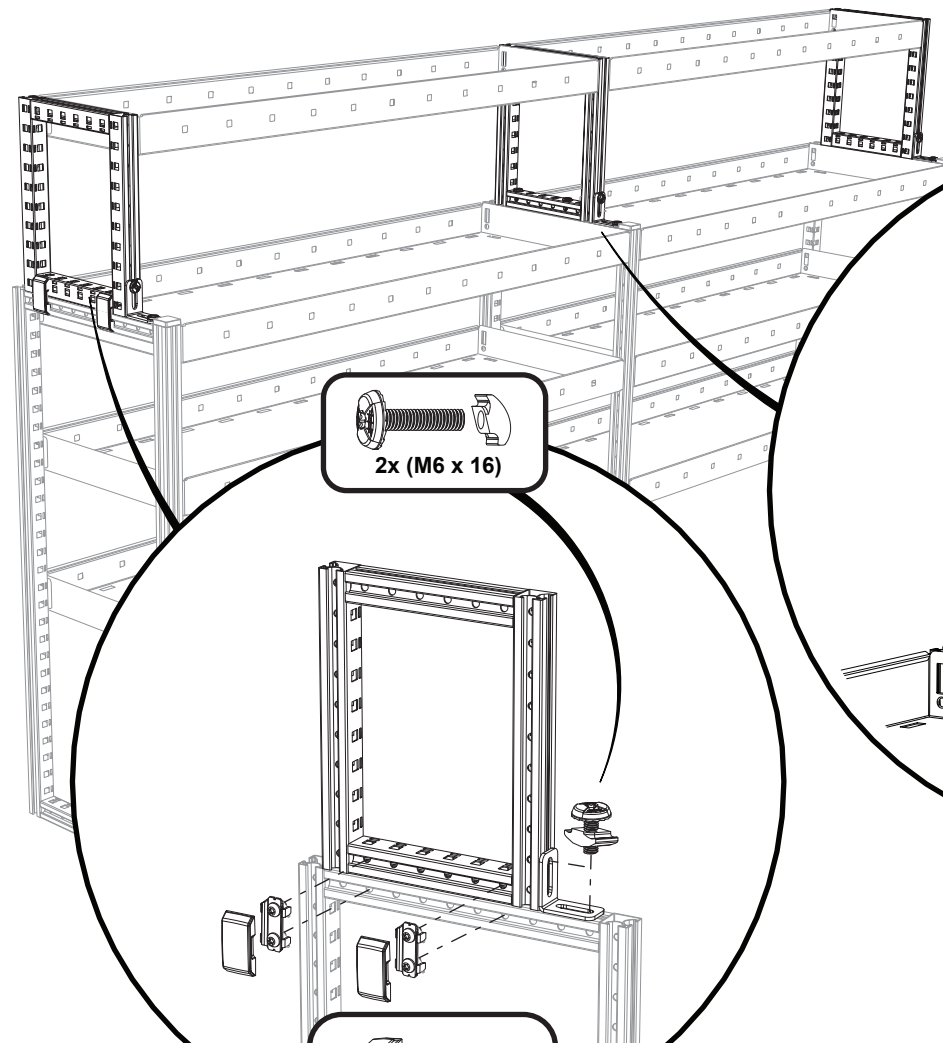
5





1




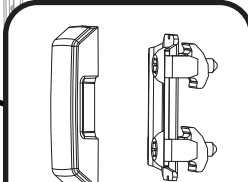
2

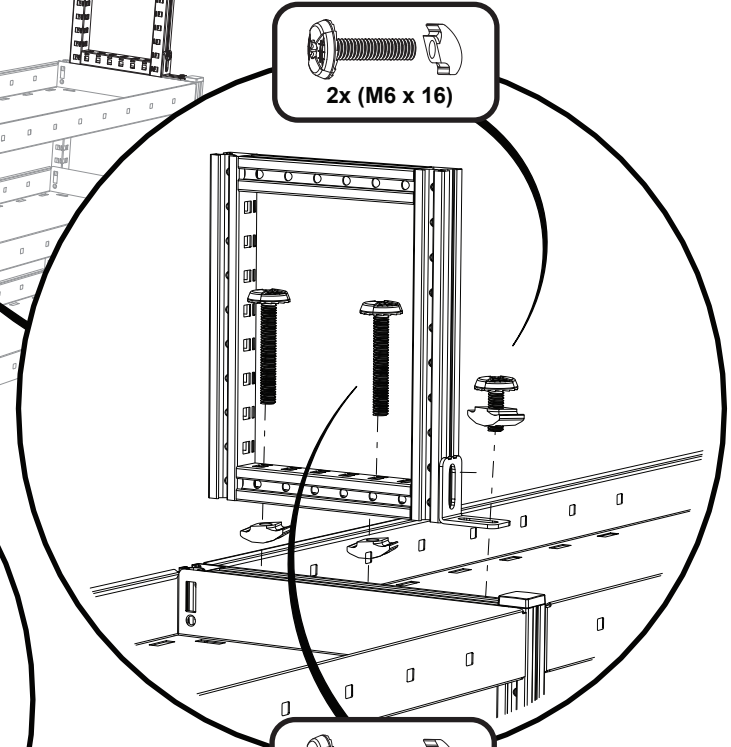



2x (M6 x 16)

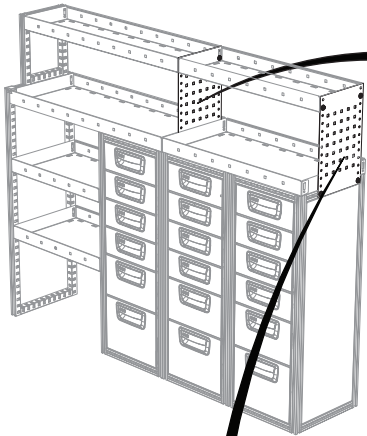

2x (M6 x 16)


2x (M6 x 40)

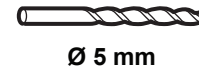
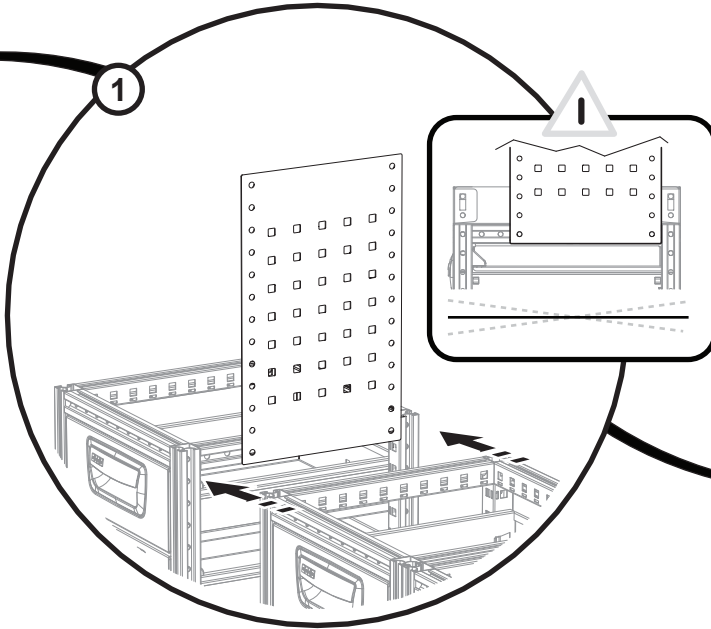

2x



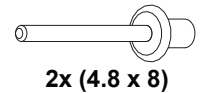
1



1

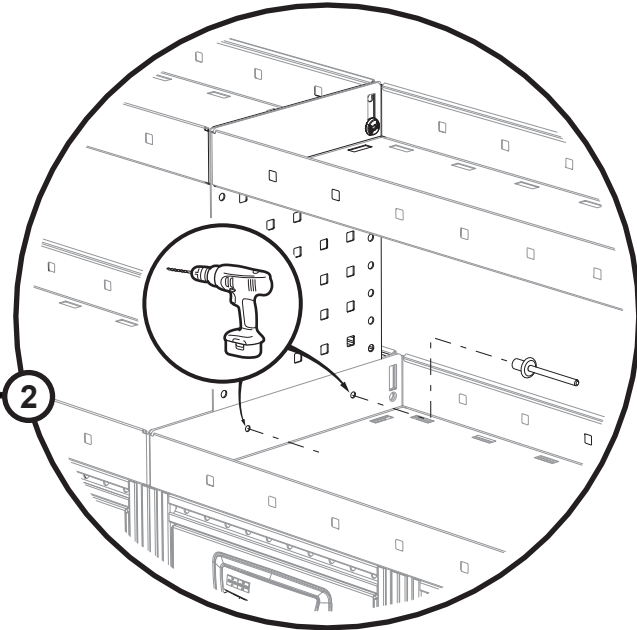


Ø 5 mm



2x (4.8 x 8)

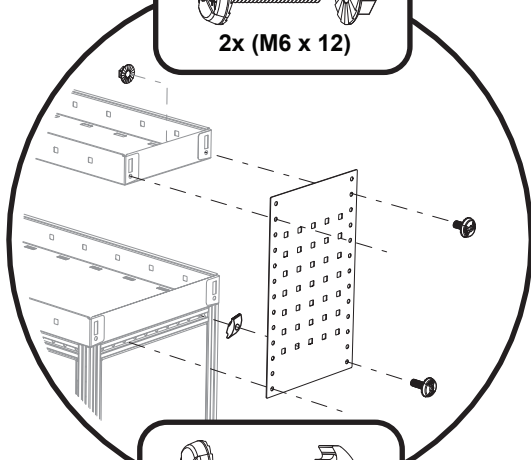
2



2



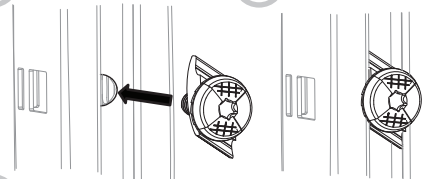
2x (M6 x 12)



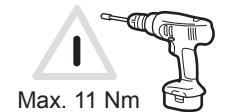
2x (M6 x 16)

1

2



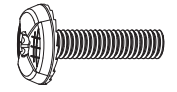
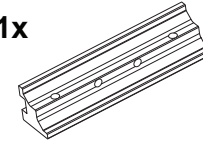
3



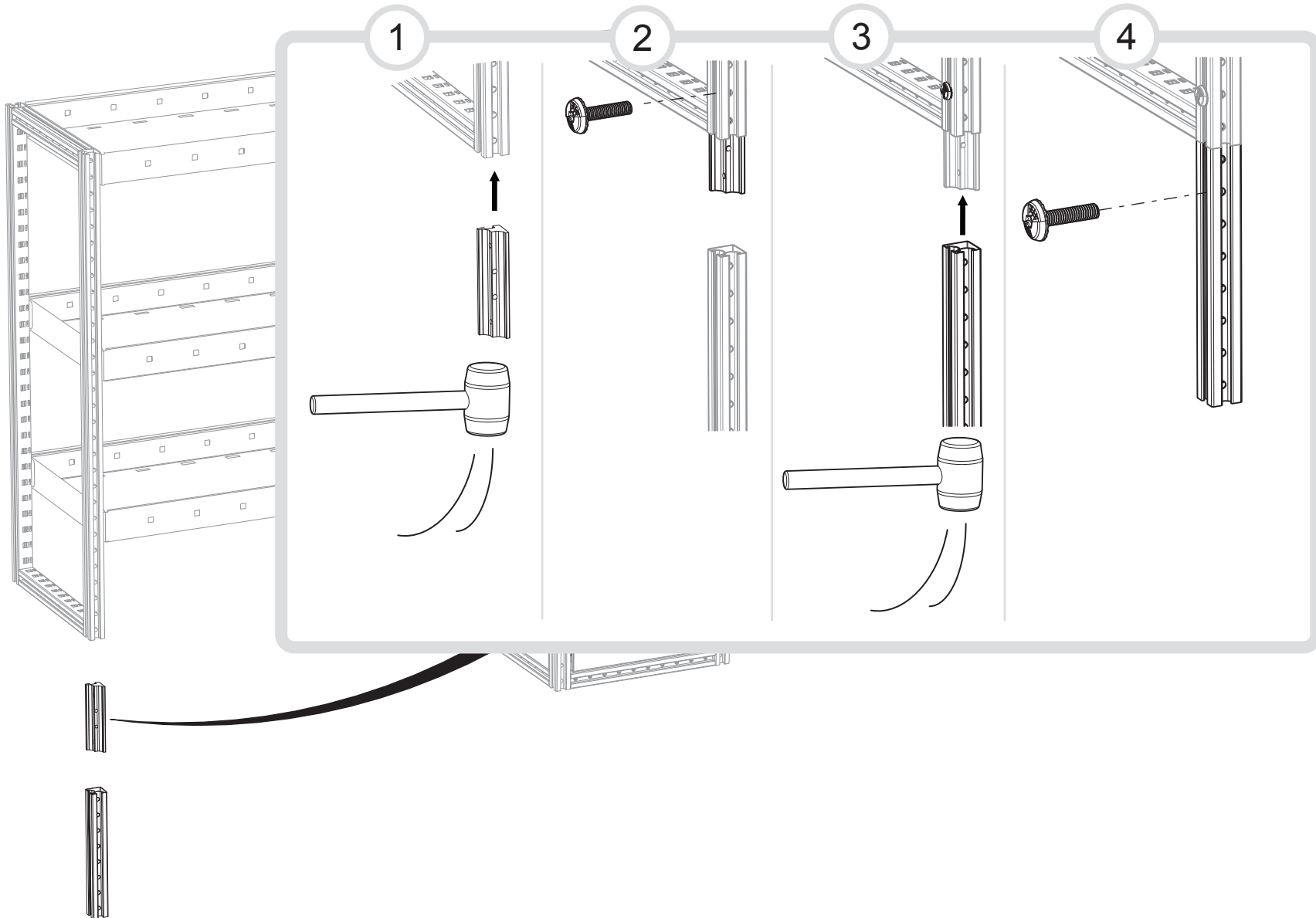
Max. 11 Nm

MODUL-SYSTEM 3041_03

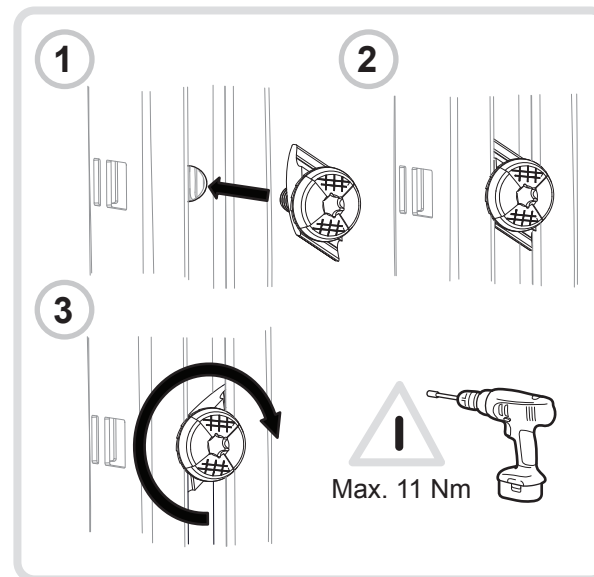
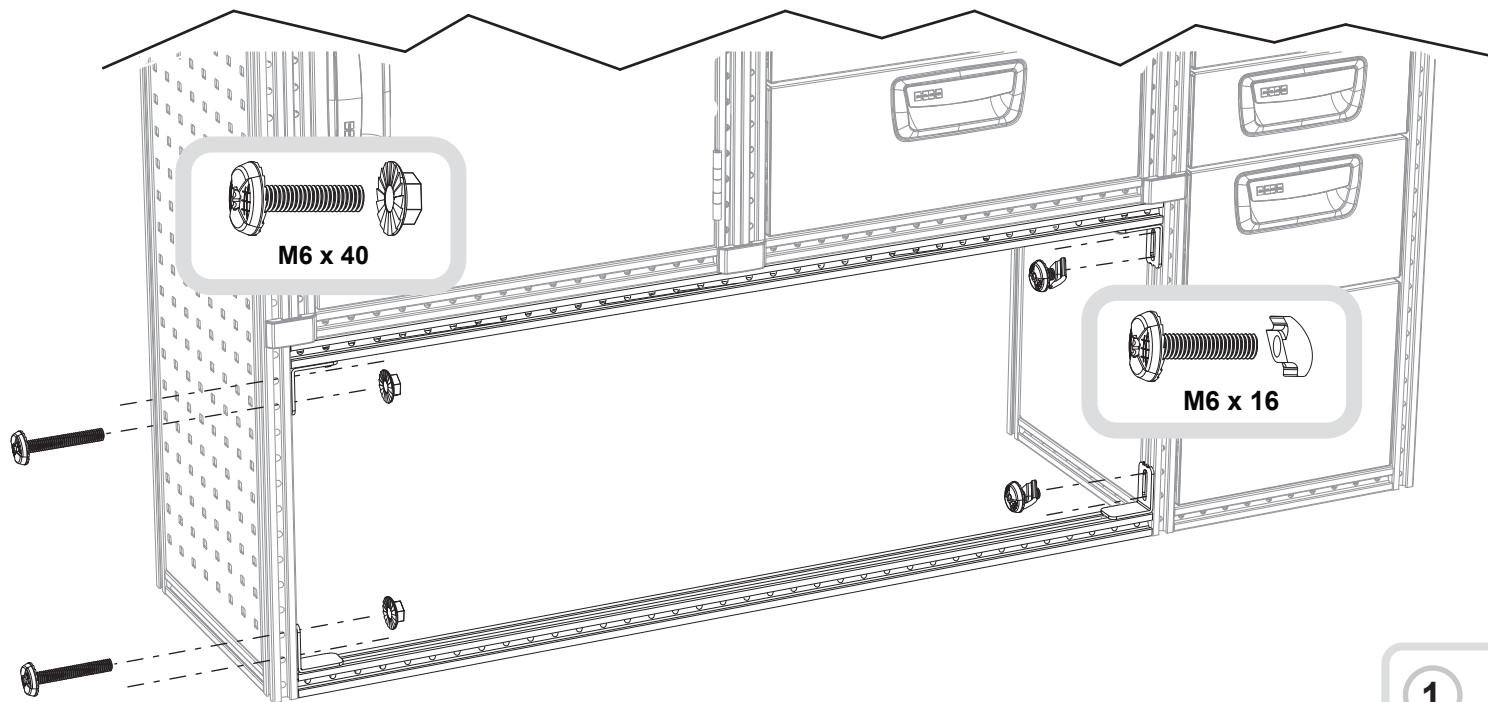
1x

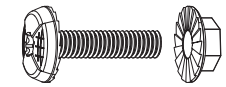


2x (M6 x 25)

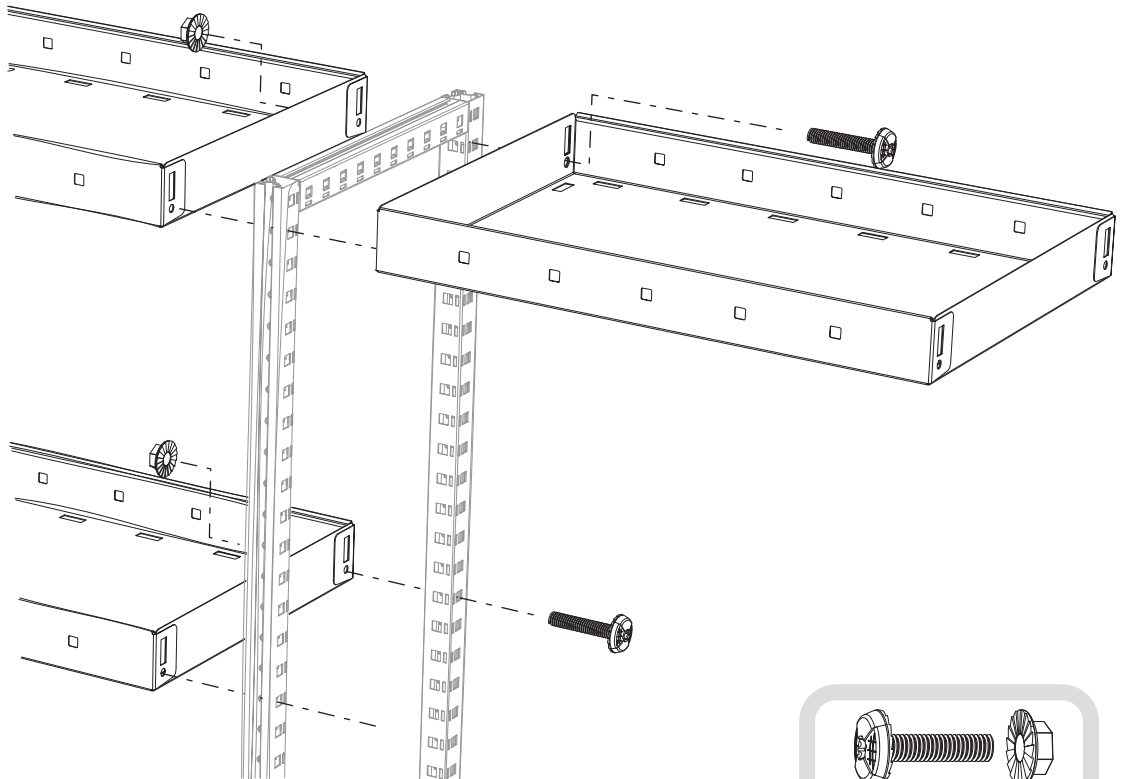
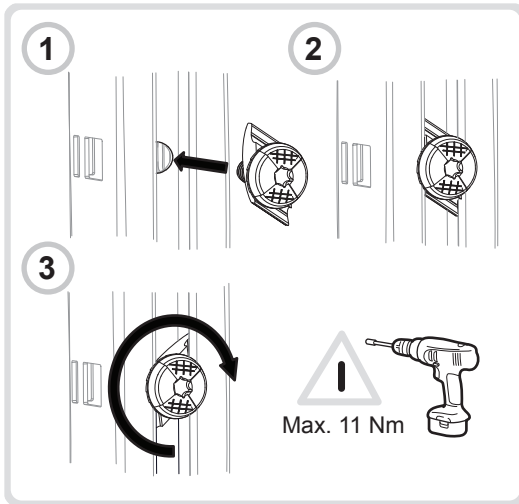
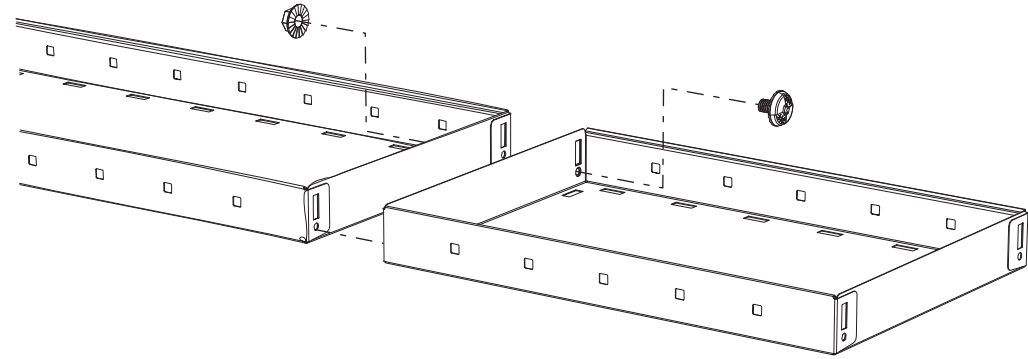
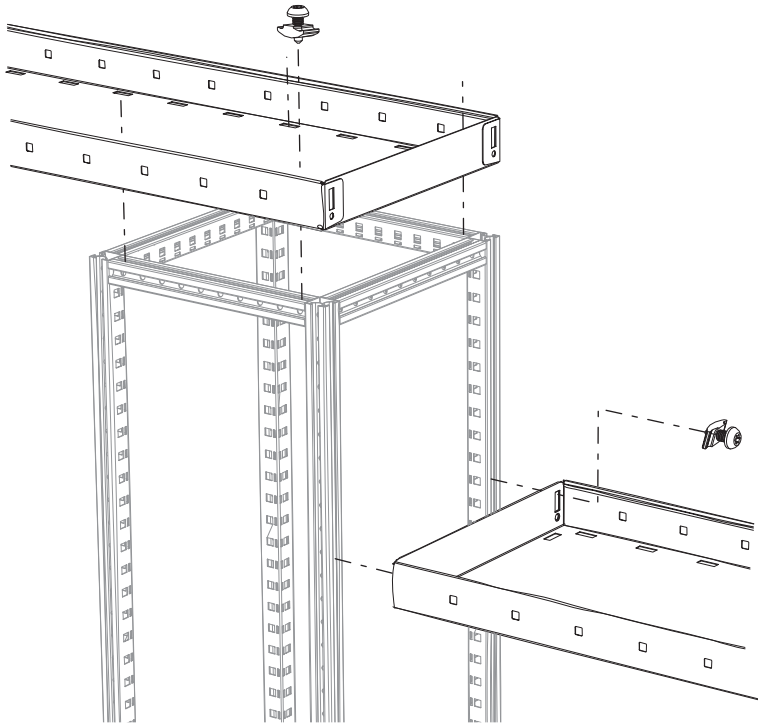


1





2x (M6 x 12)

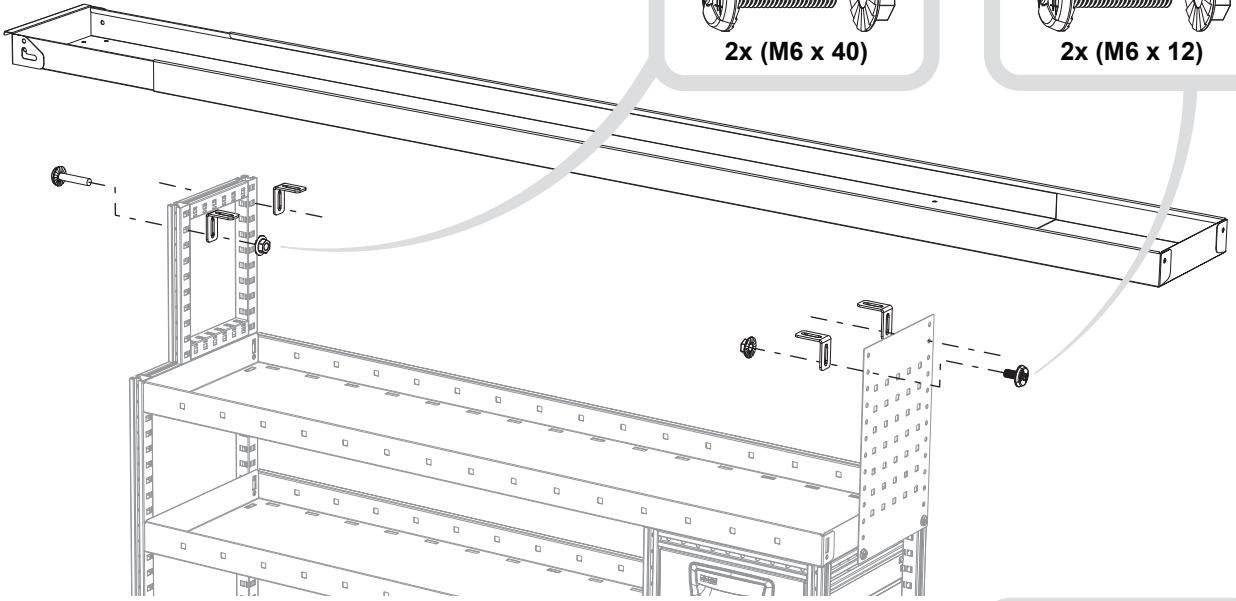


6x (M6 x 16)

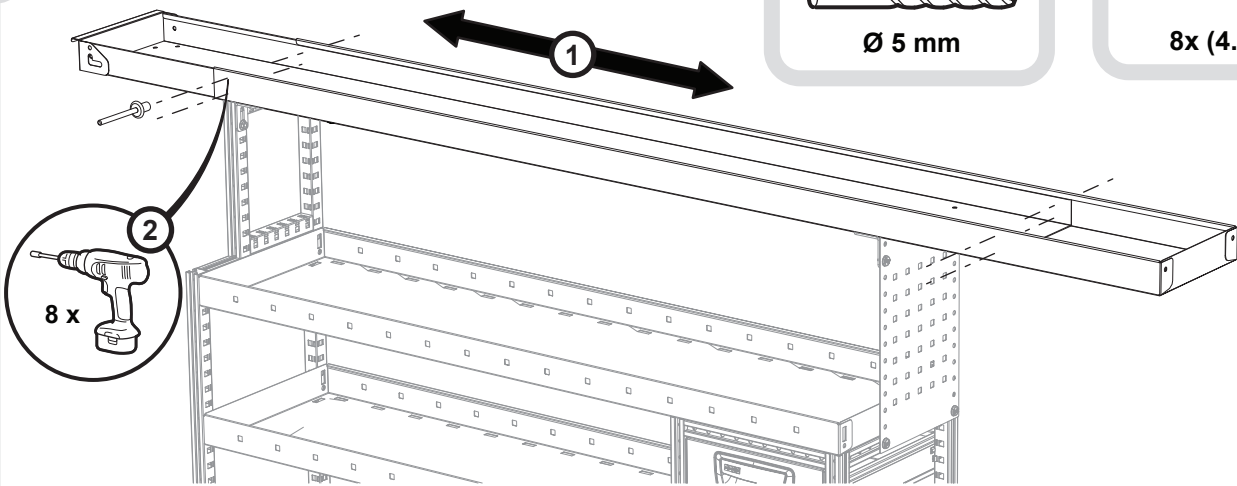


4x (M6 x 40)

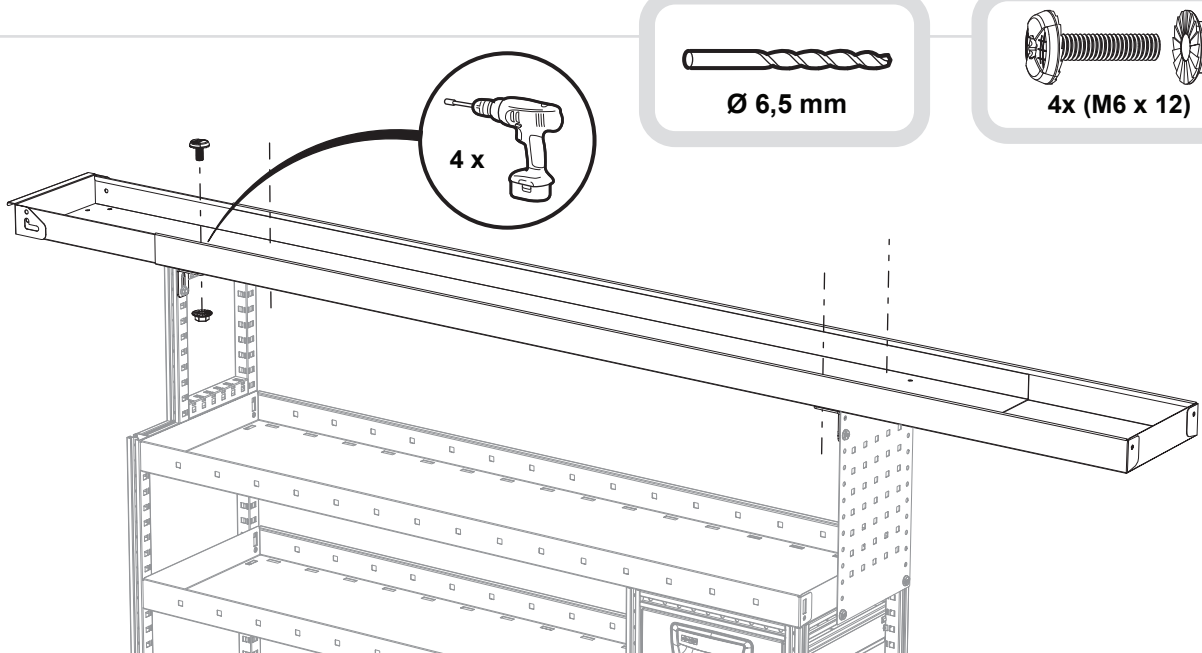
1

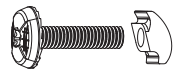


2

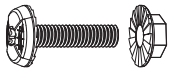


3





2x (M6 x 16)

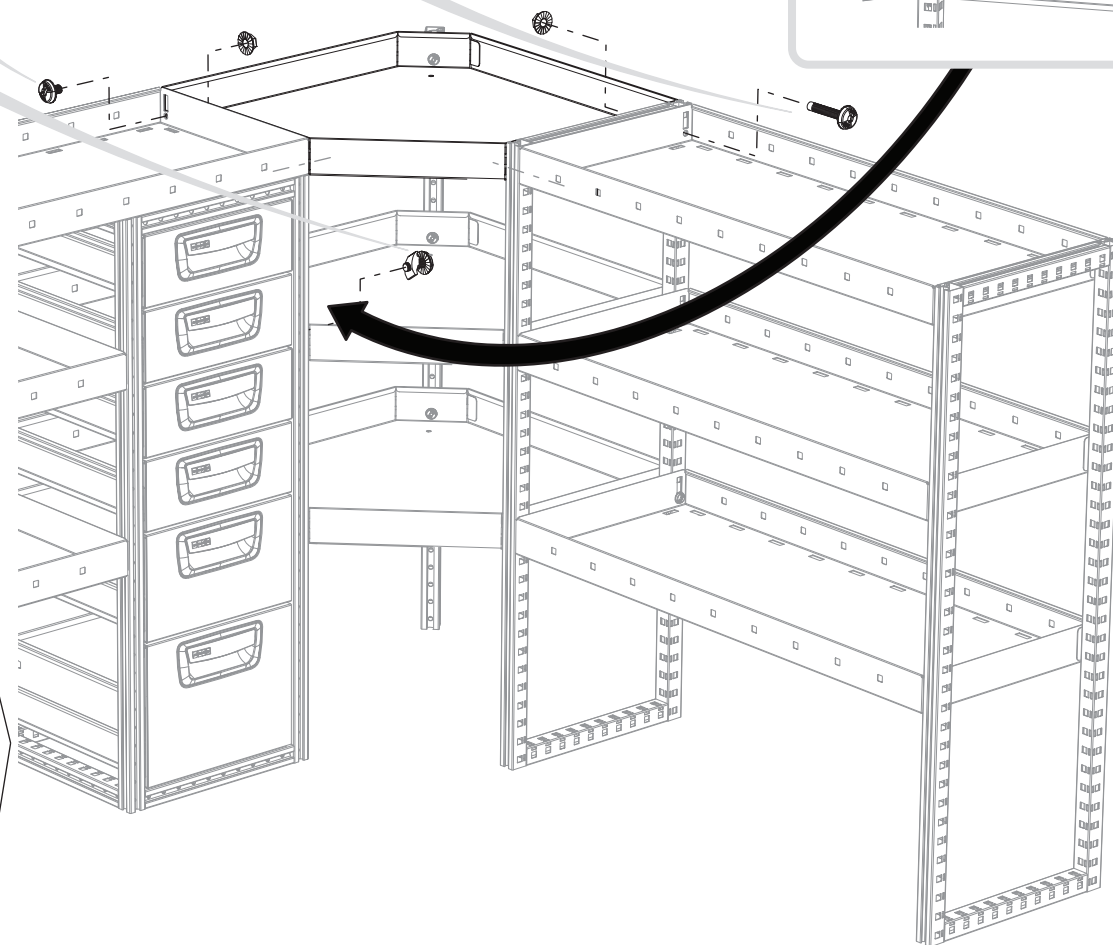
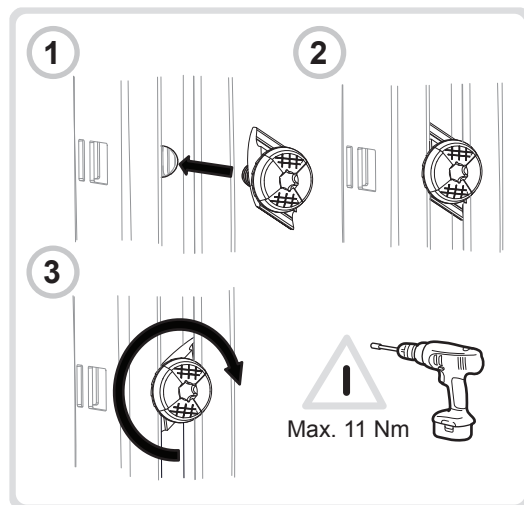
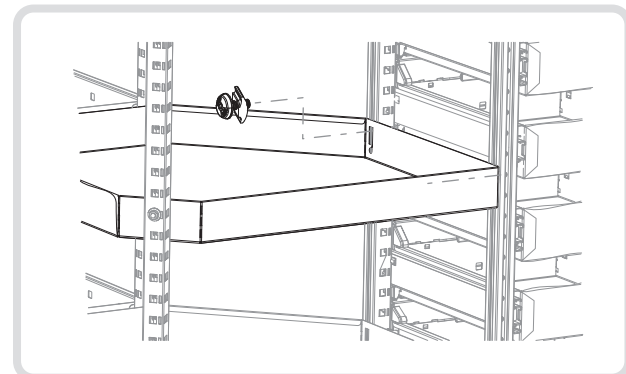


2x (M6 x 12)



2x (M6 x 40)

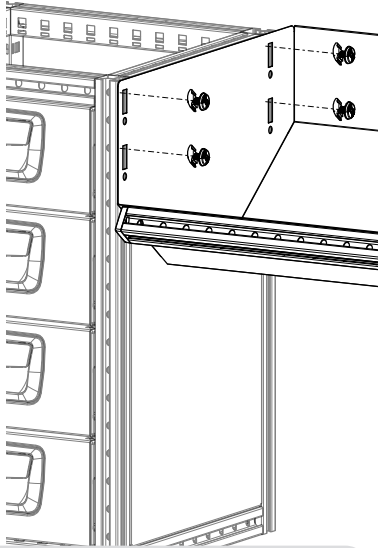
MODUL-SYSTEM 3014_04



1a



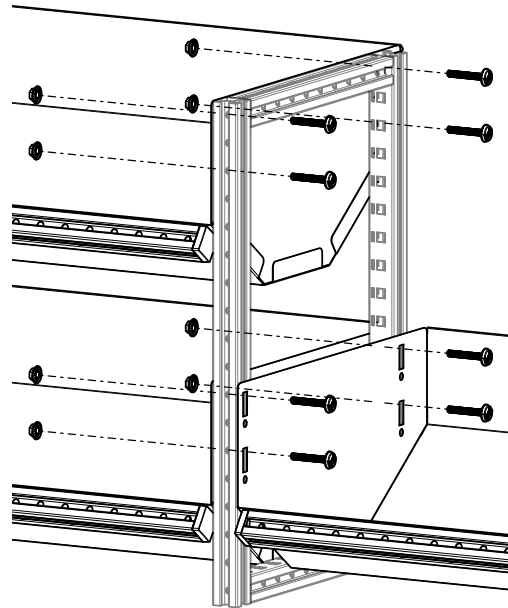
M6 x 16



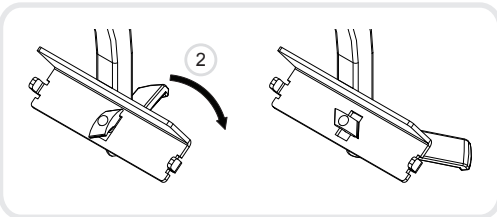
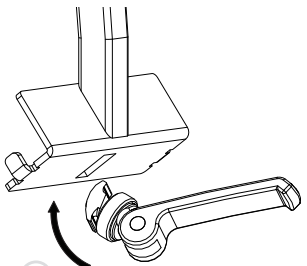
1b



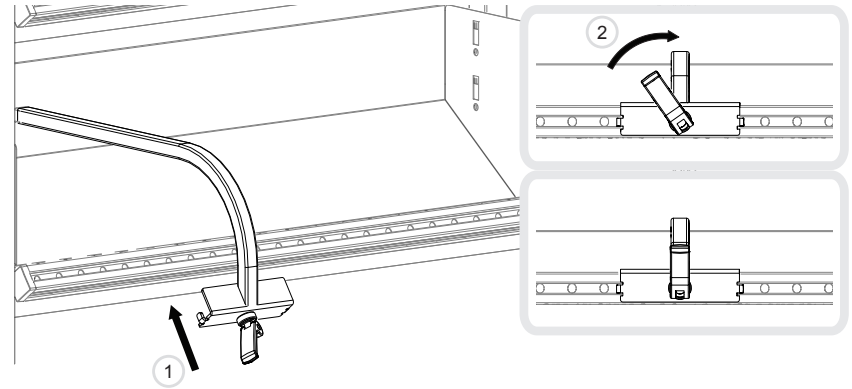
M6 x 40



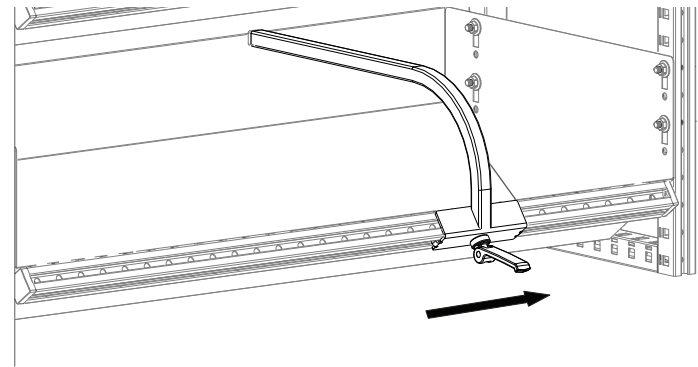
2



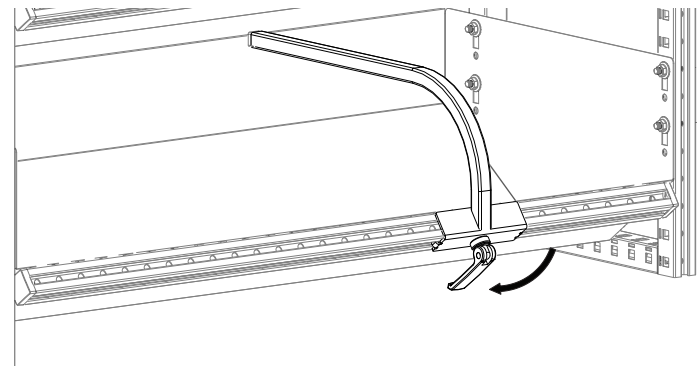
3

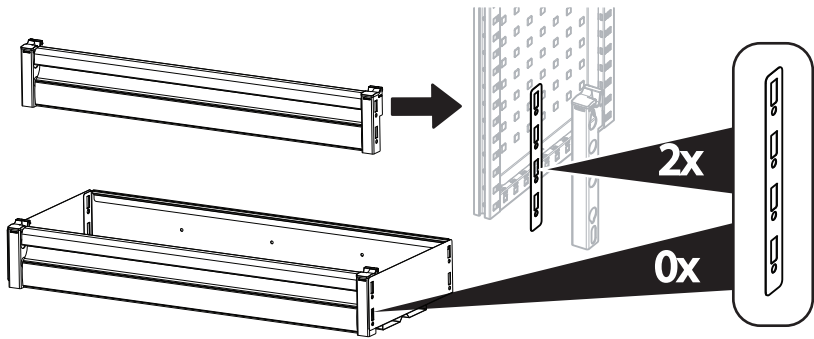


4

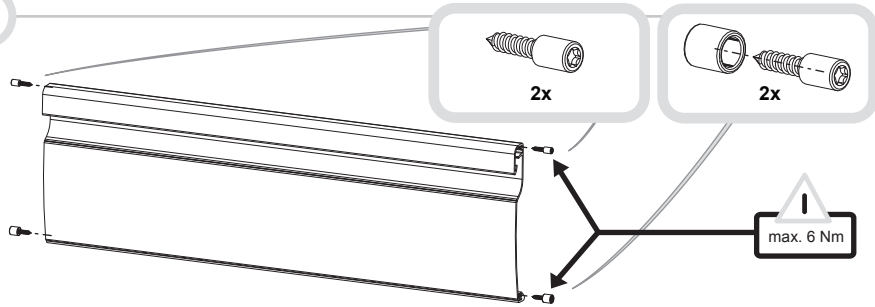


5

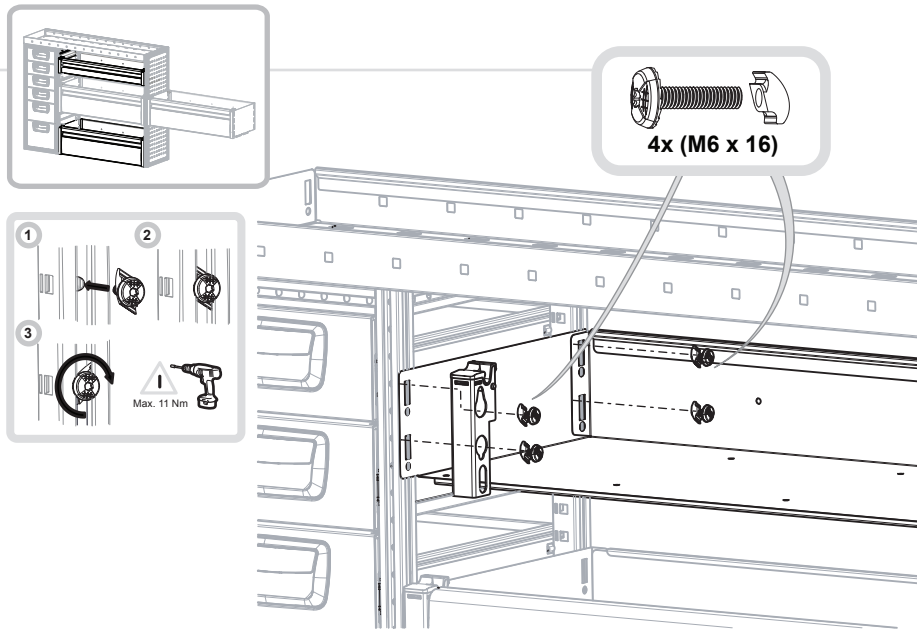




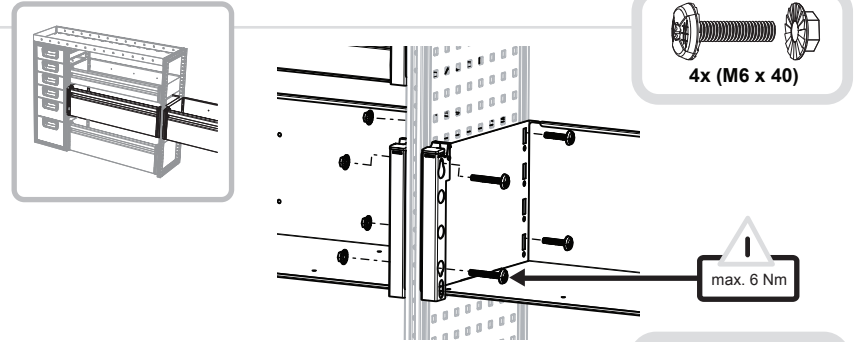
1



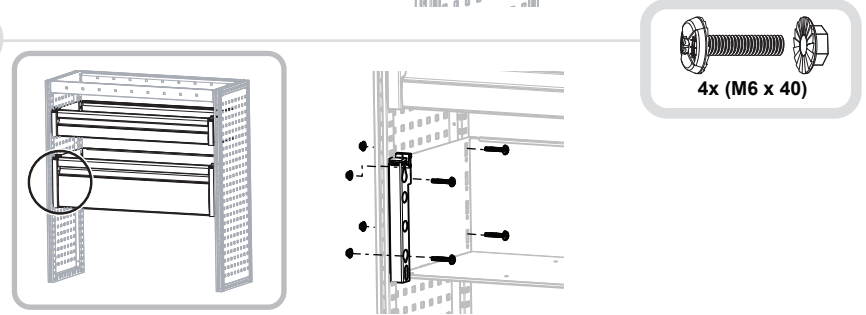
2a



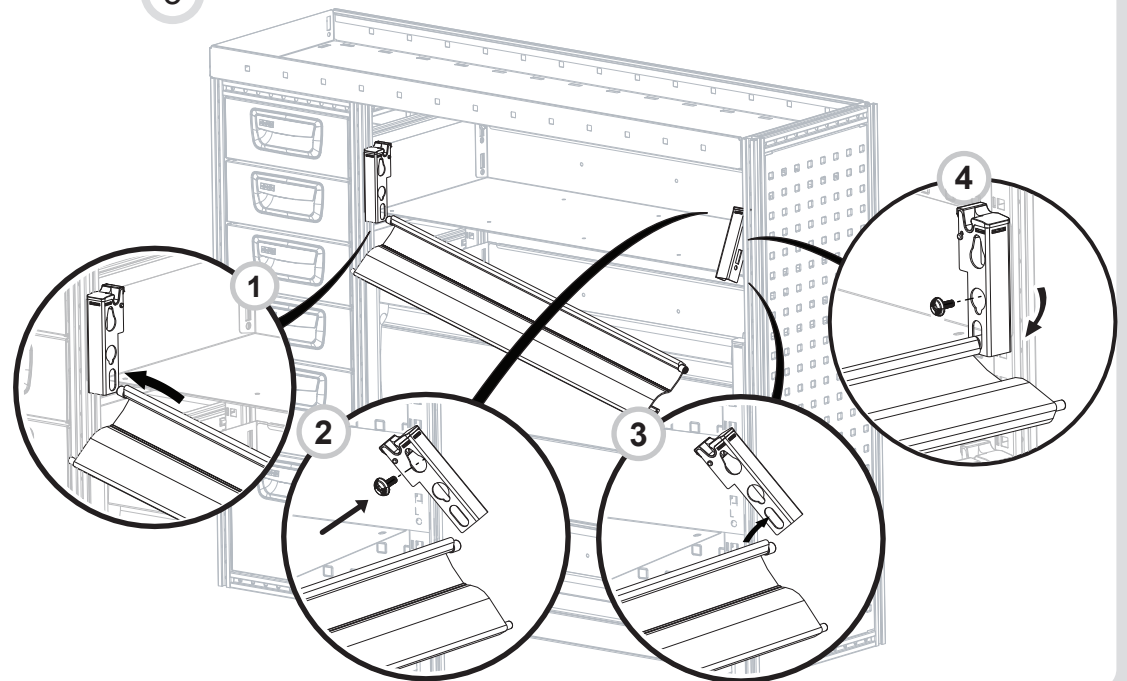
2b

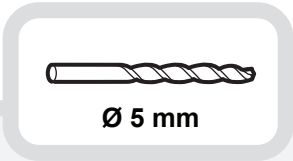
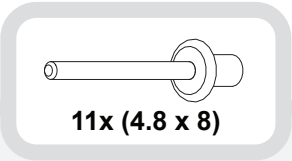
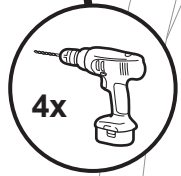
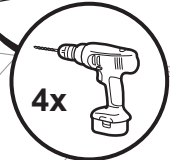
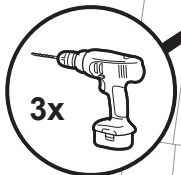
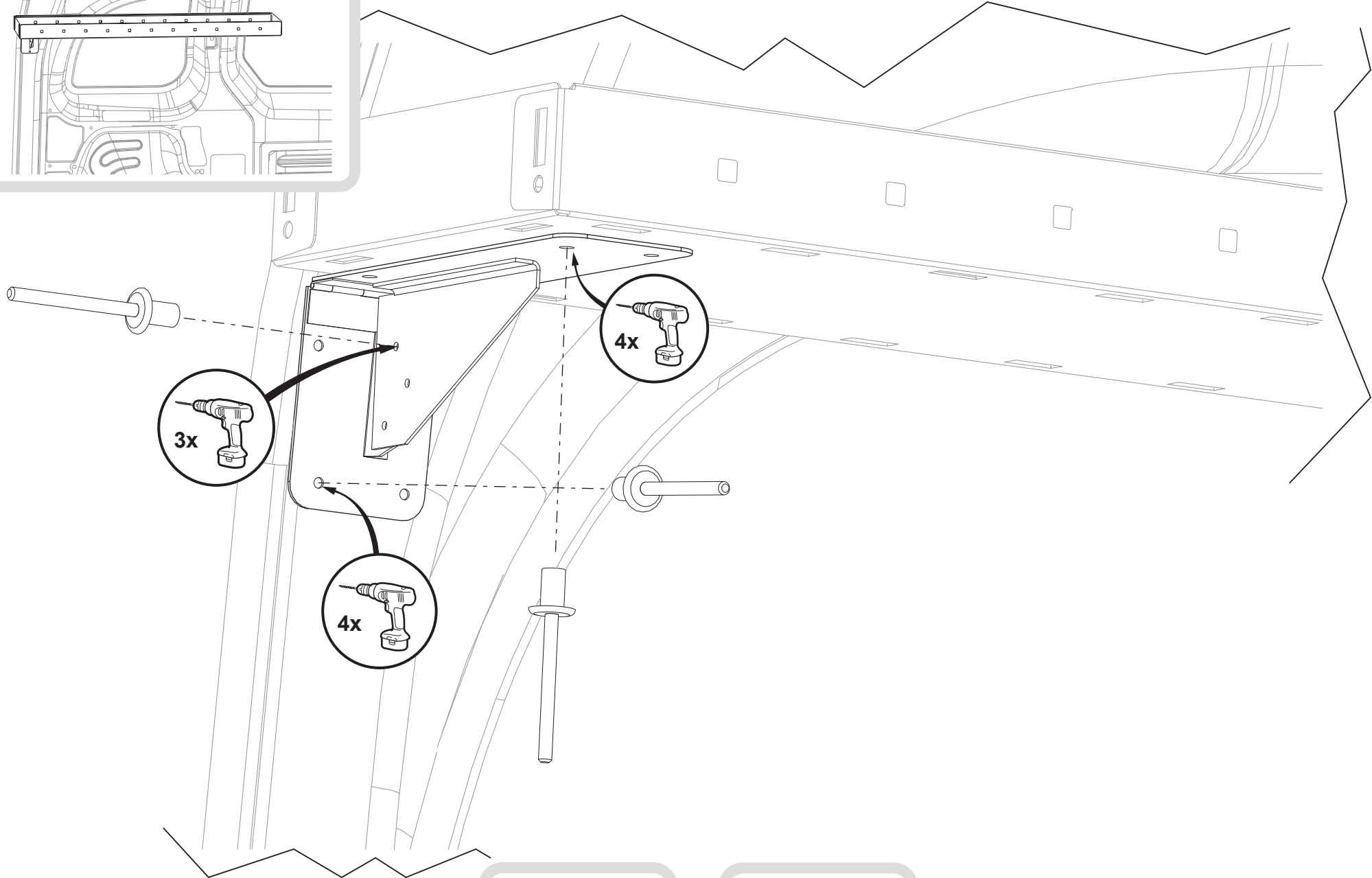
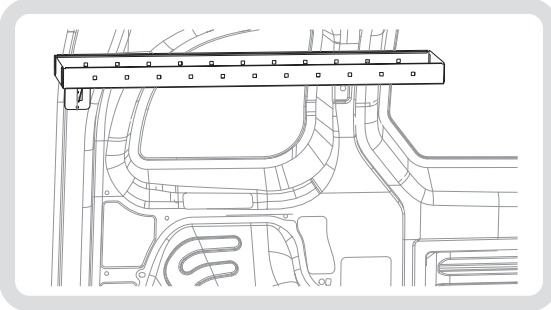


2c

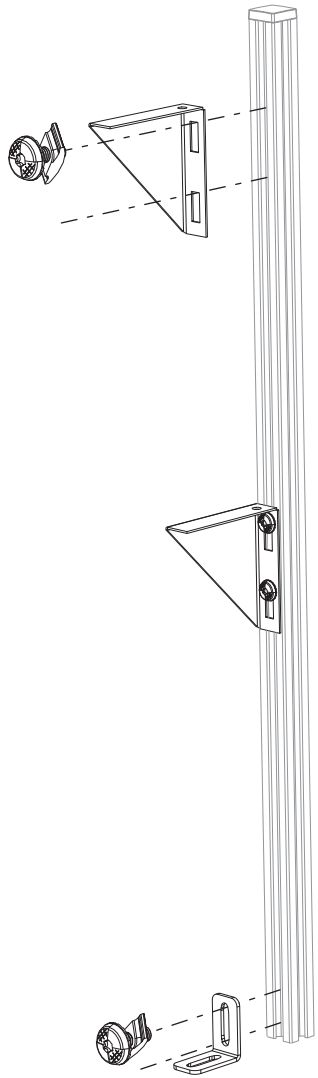


3





1

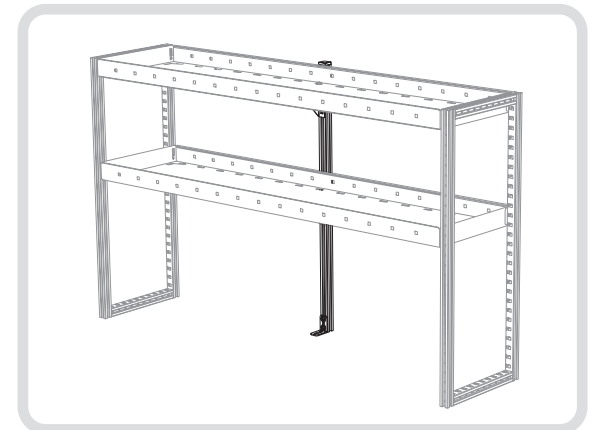
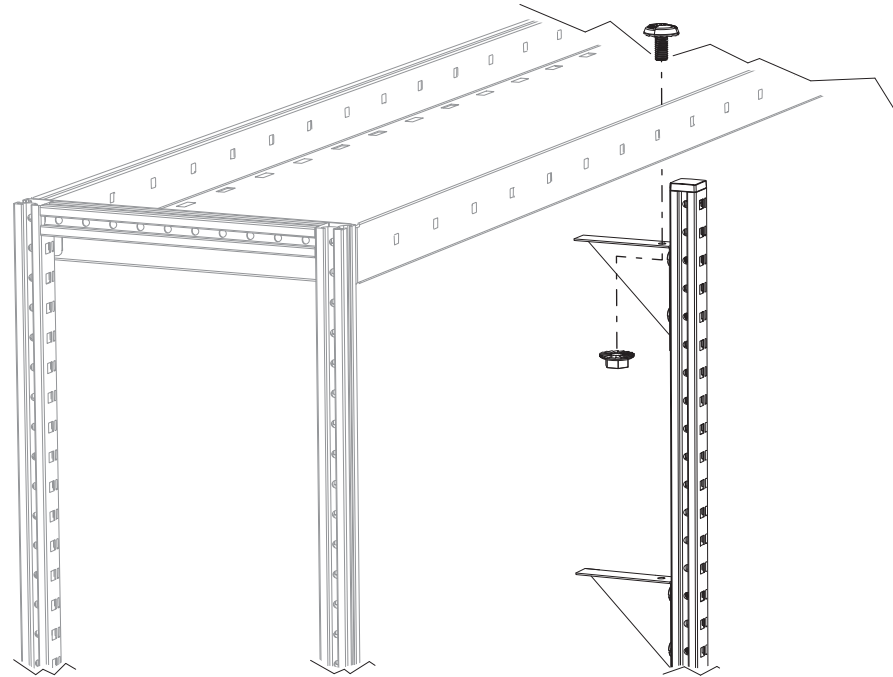
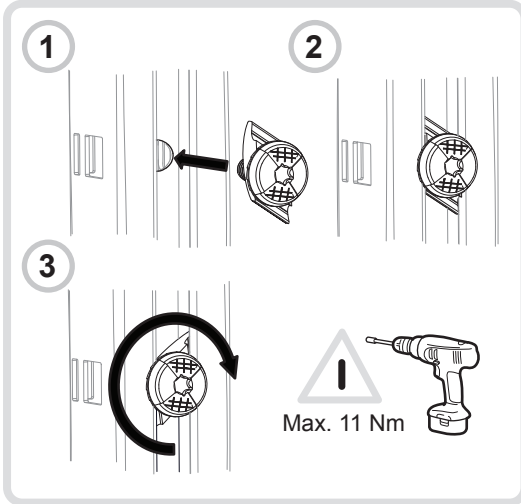


6x (M6 x 16)

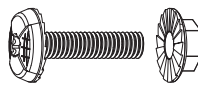
2



1x (M6 x 12)



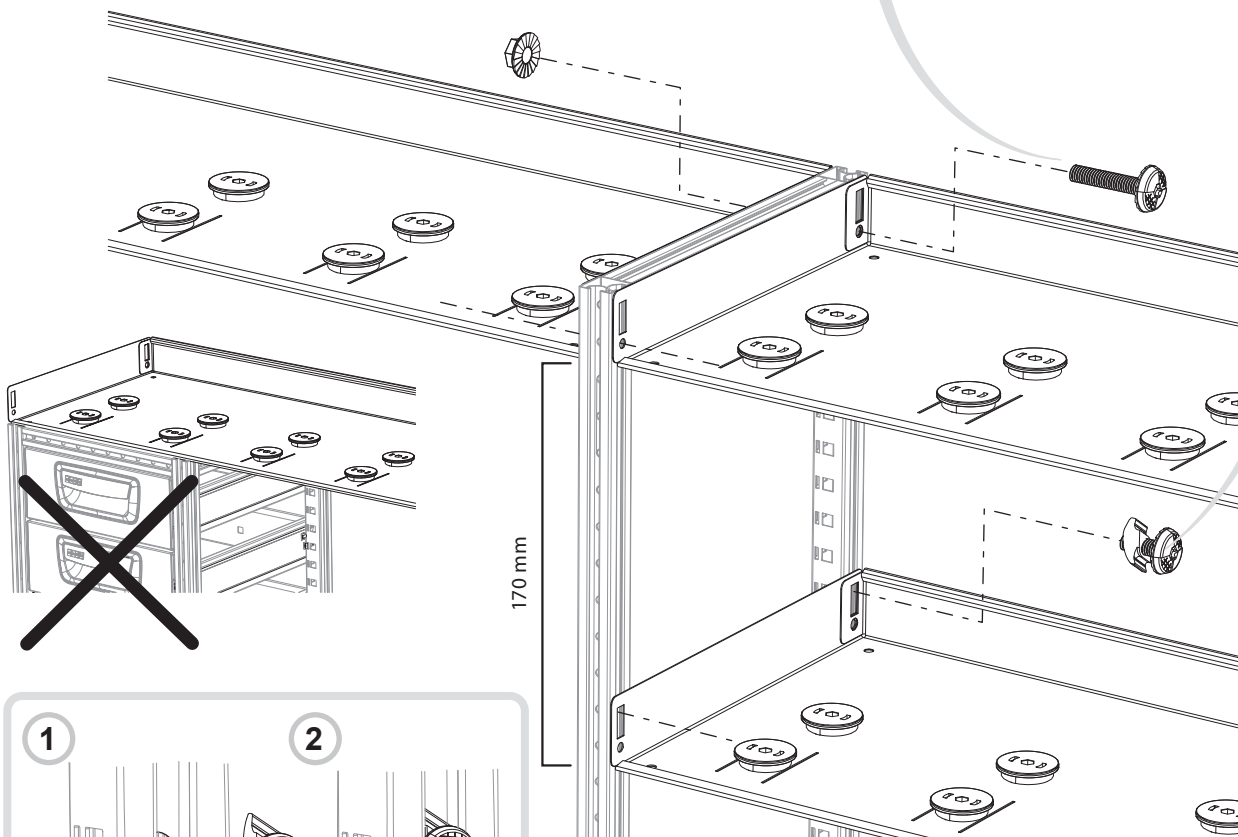
1



(M6 x 40)



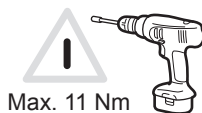
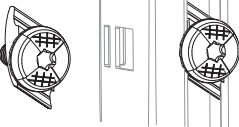
(M6 x 16)



1

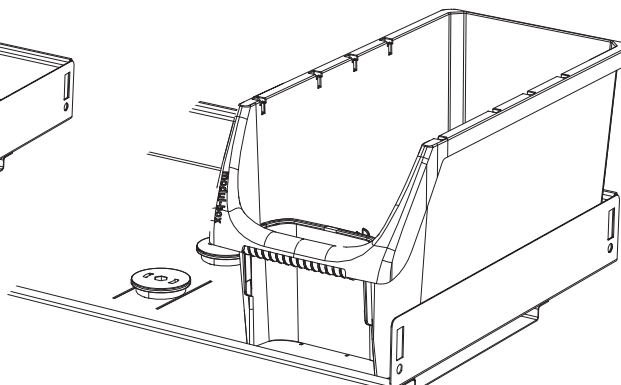
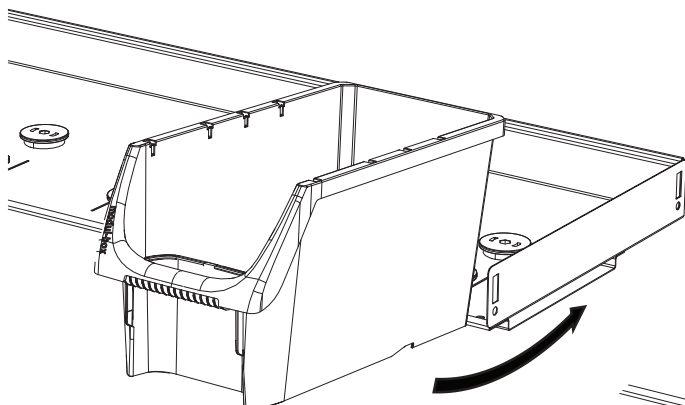
2

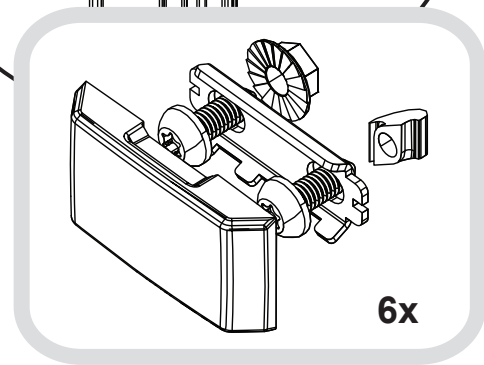
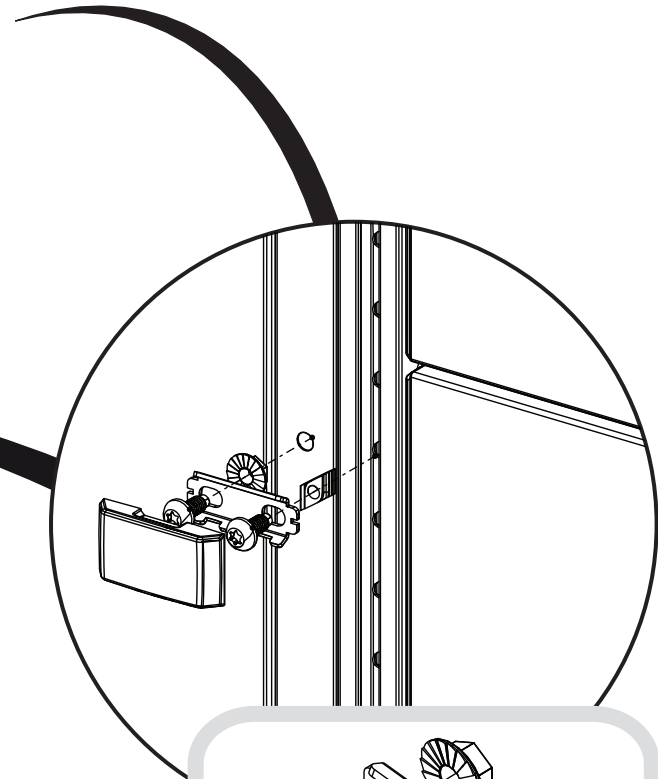
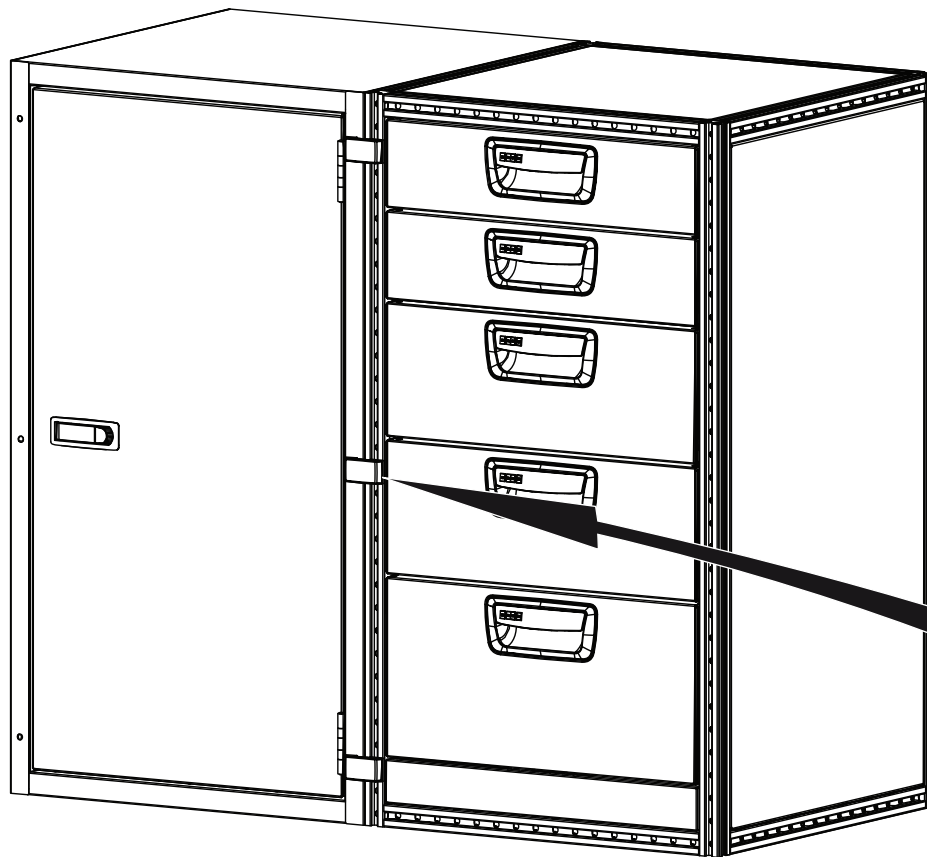
3



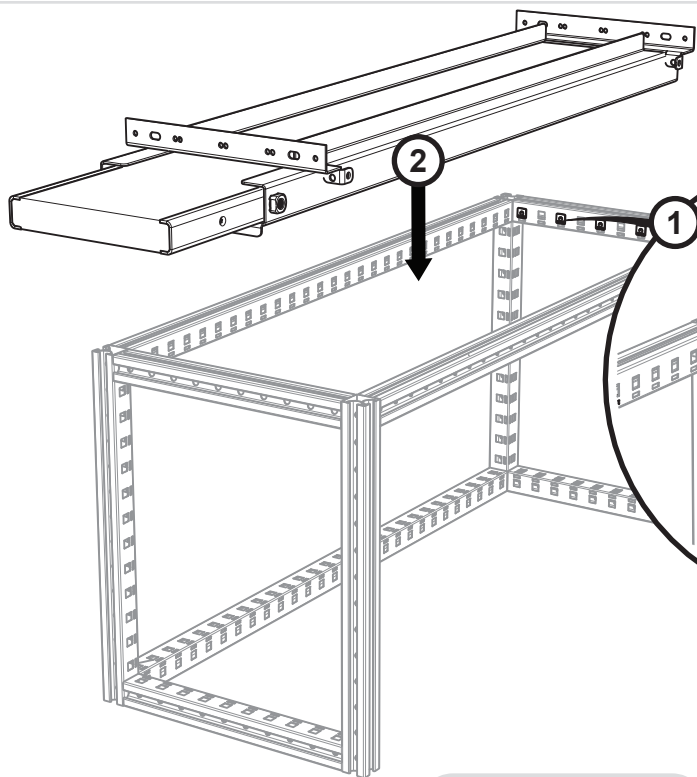
Max. 11 Nm

2





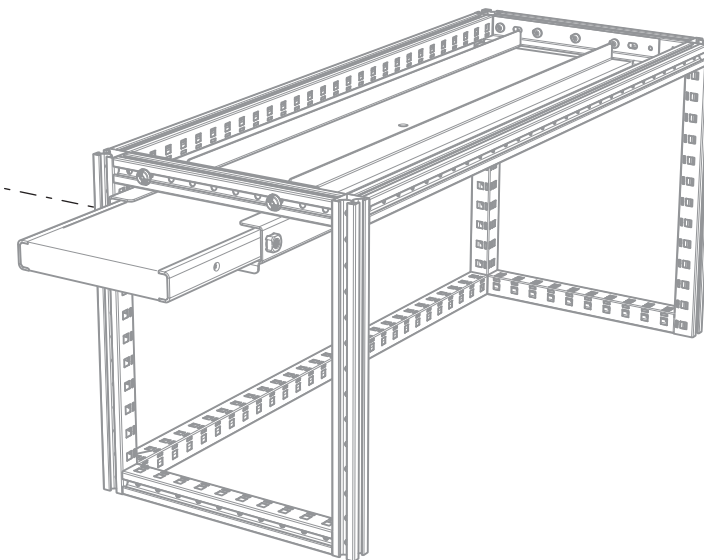
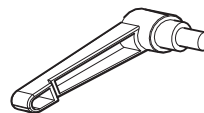
1



4x



3

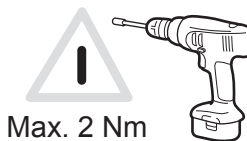
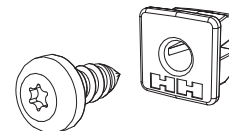
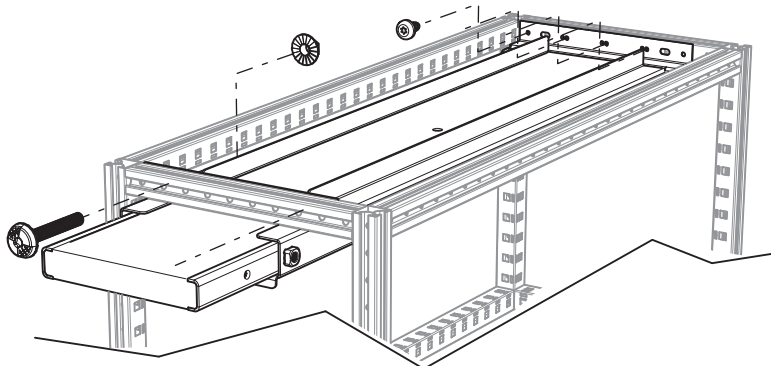


2



2x (M6 x 40)

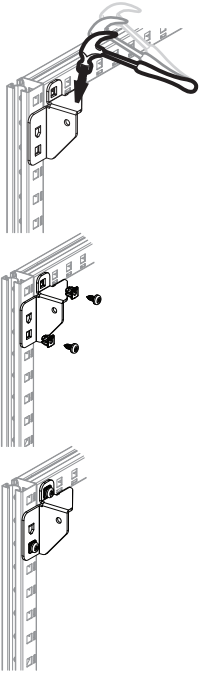
4x



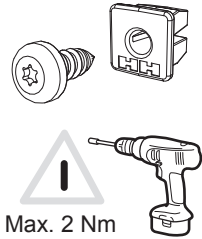
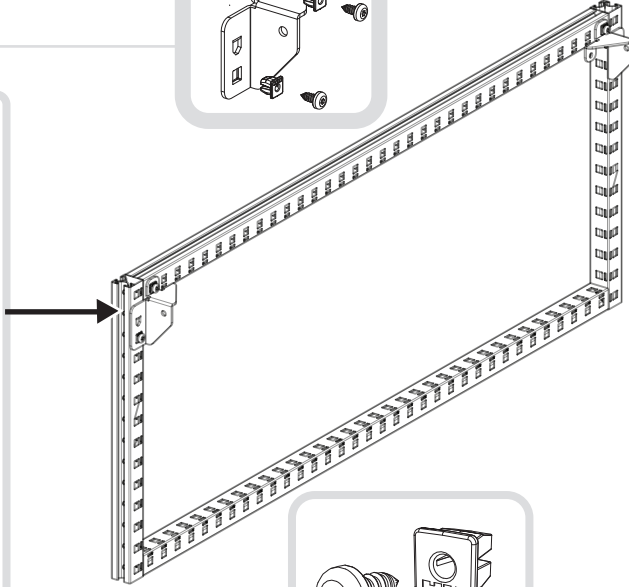
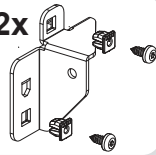
Max. 2 Nm

1

2x

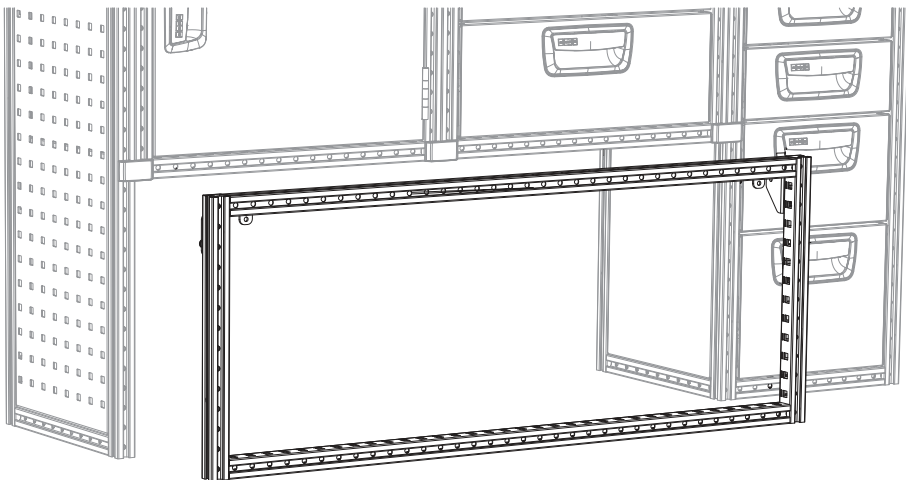


2x

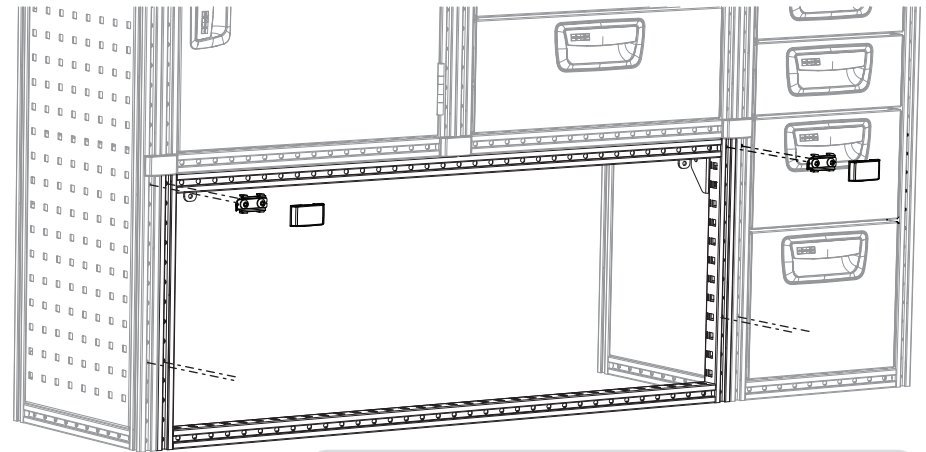
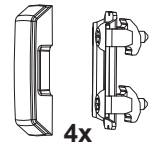
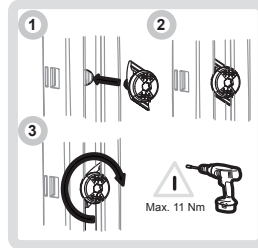


Max. 2 Nm

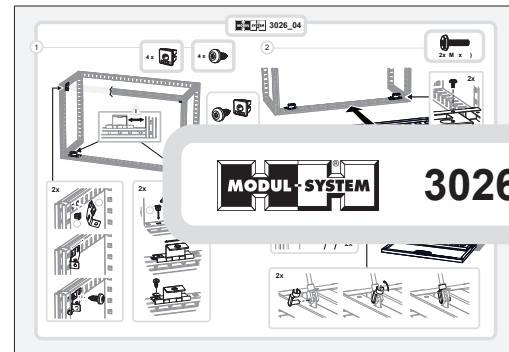
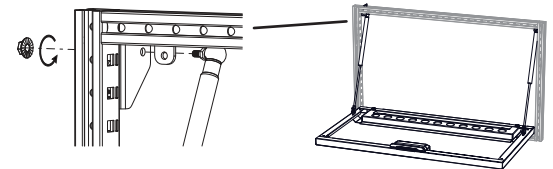
2



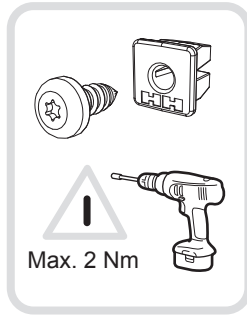
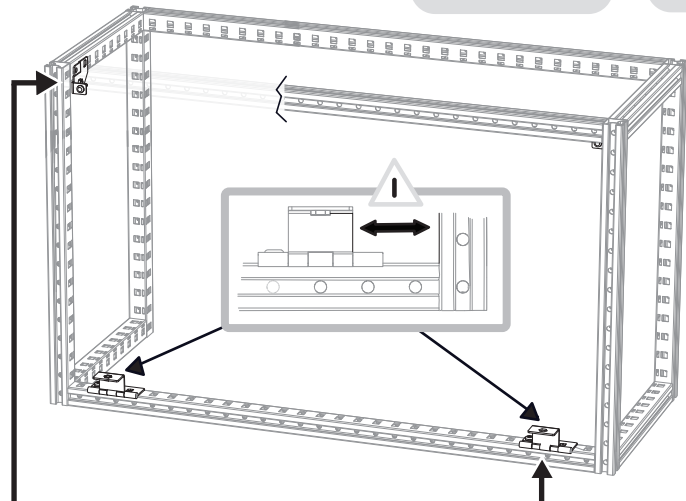
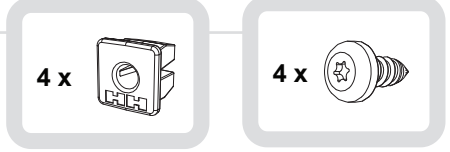
3



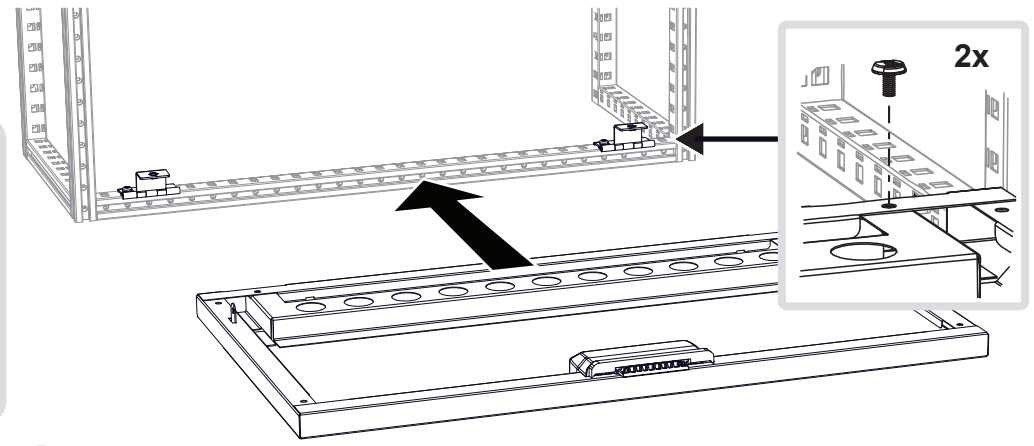
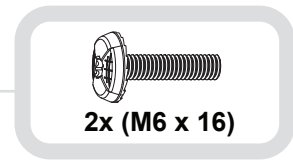
4



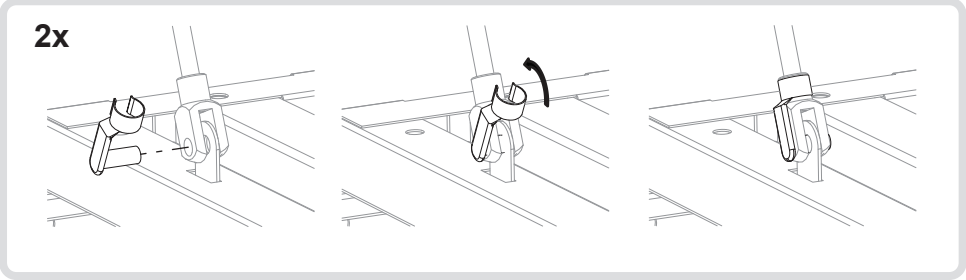
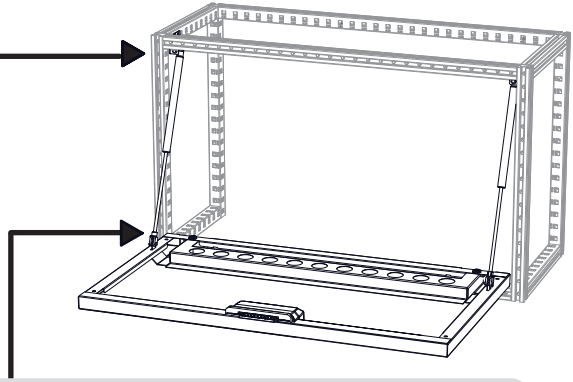
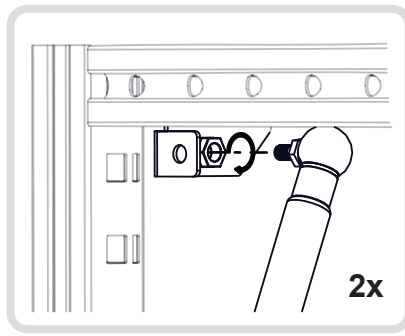
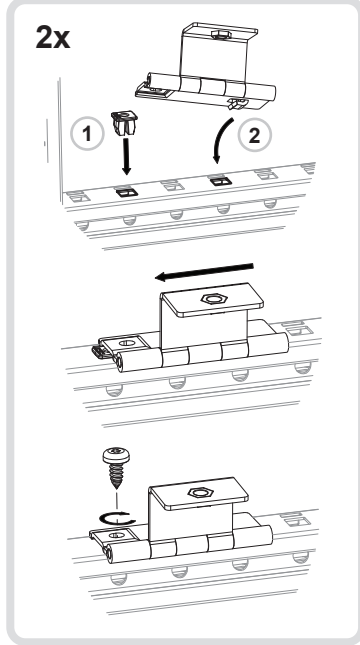
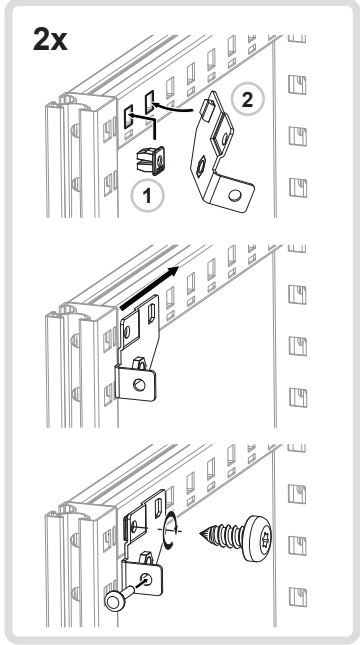
1



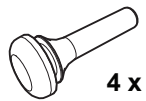
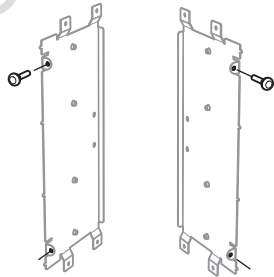
2



3

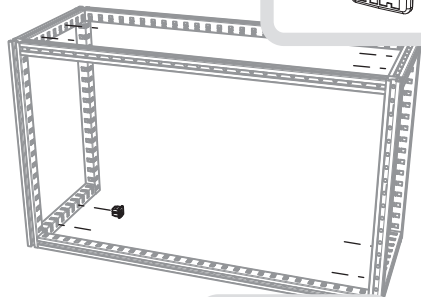


1



4 x

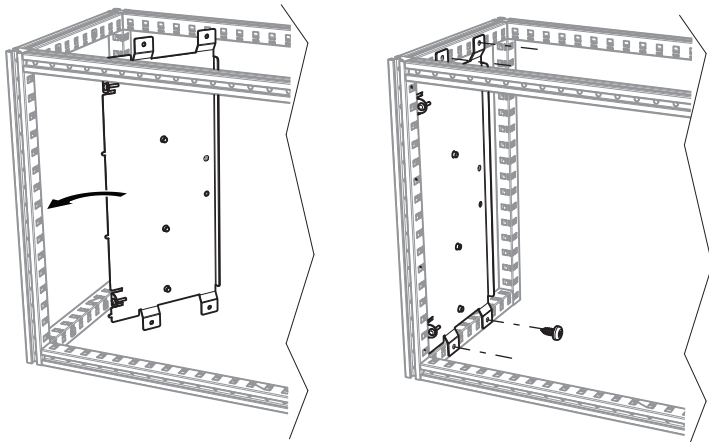
2



8 x



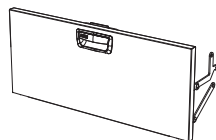
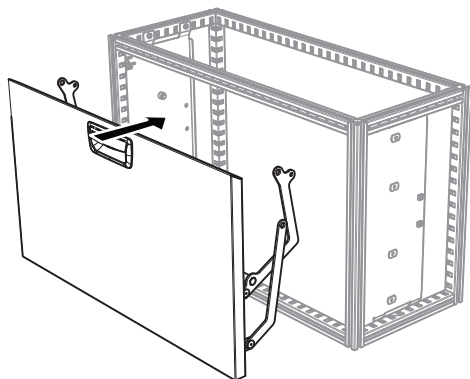
3



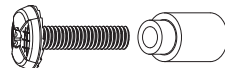
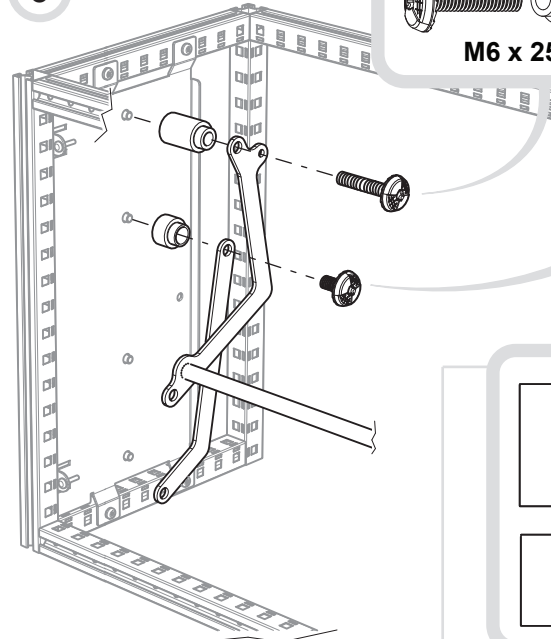
8 x



4



5

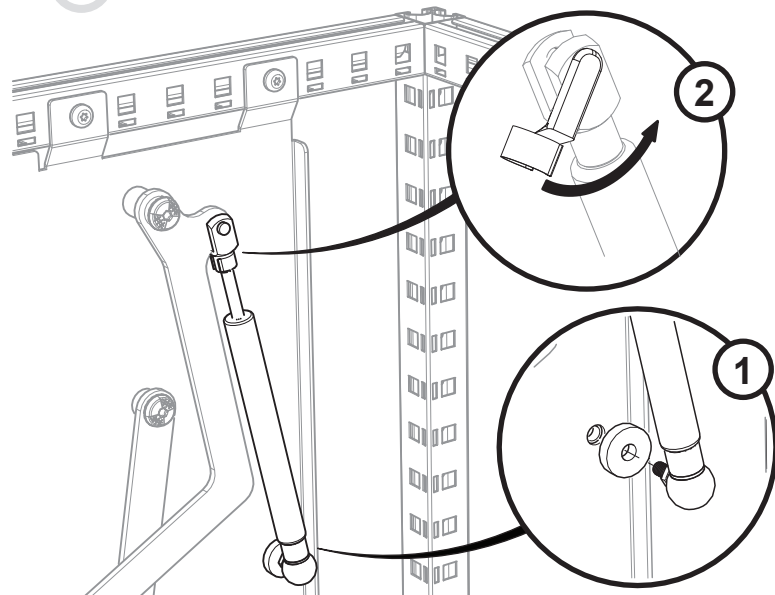


M6 x 25



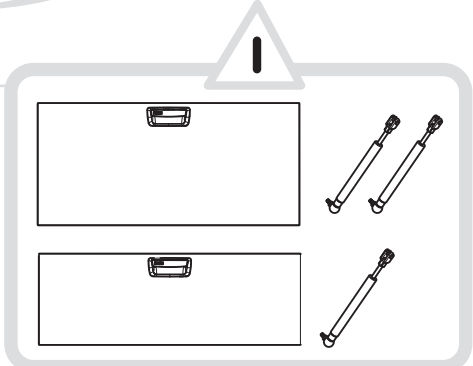
M6 x 16

6



2

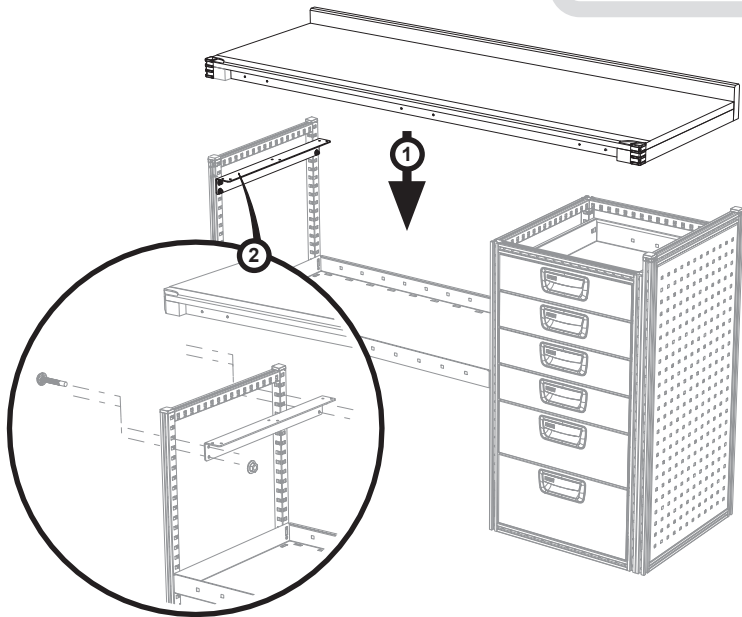
1



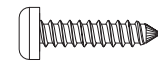
1



4x (M6 x 40)



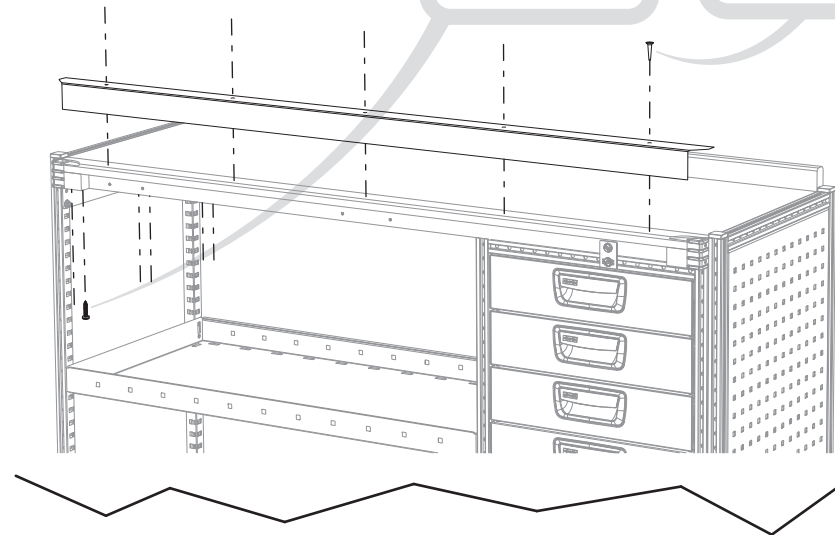
3



6x (4,2 x 16)



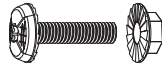
5x (3,5 x 16)



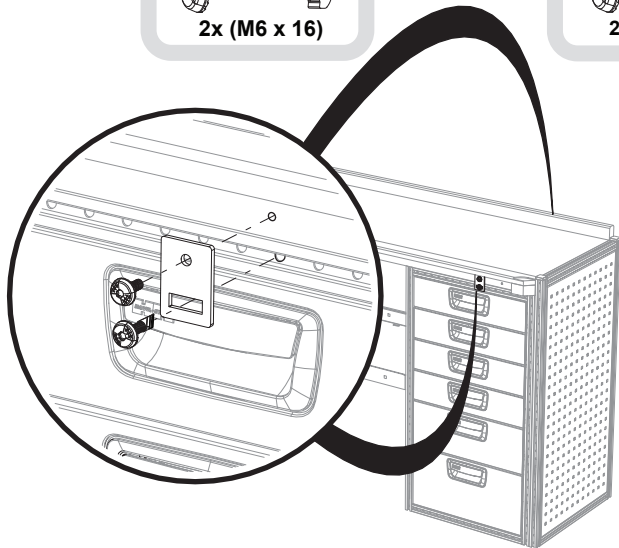
2



2x (M6 x 16)

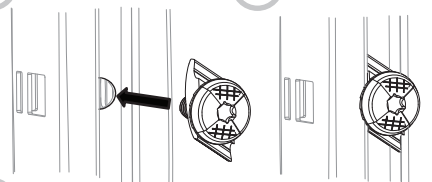


2x (M6 x 25)



1

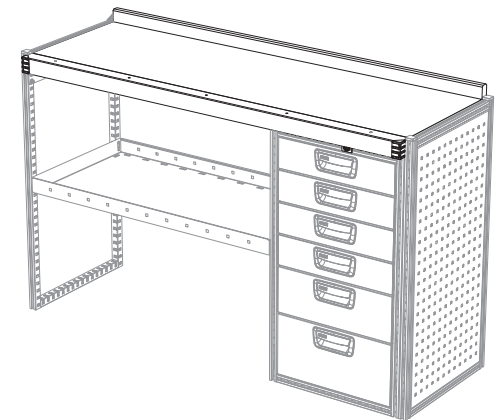
2



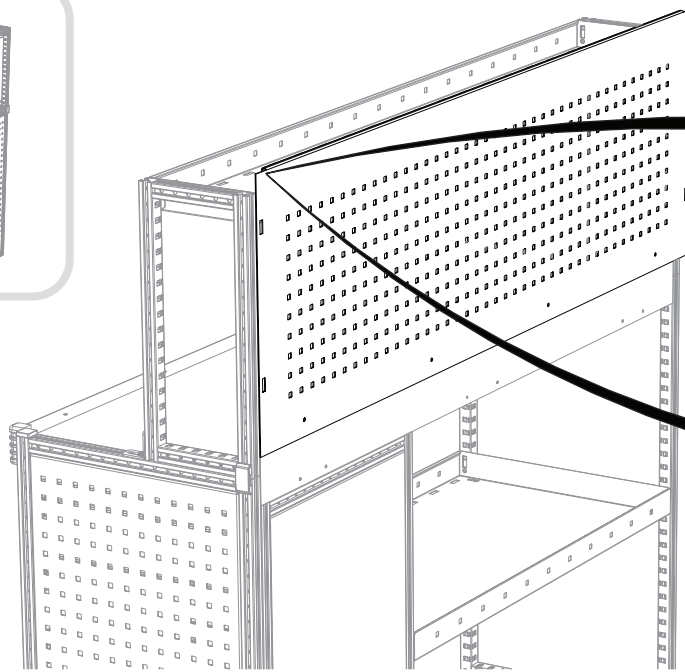
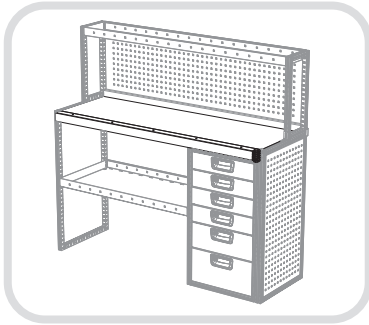
3



Max. 11 Nm

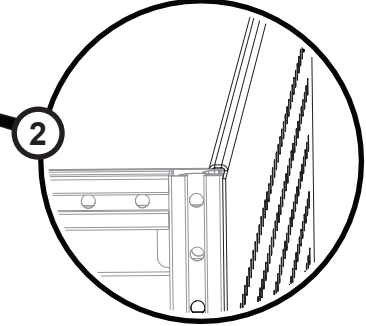
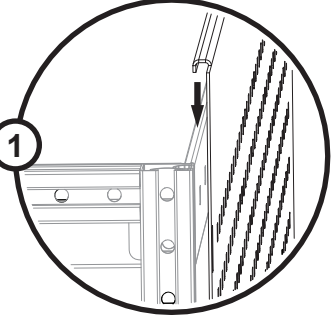


1



1

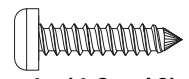
2



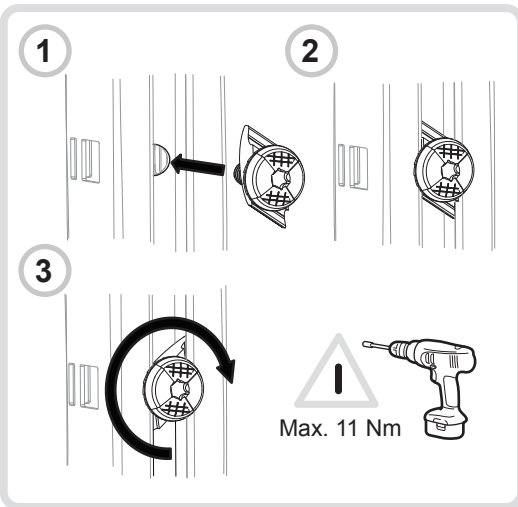
2



4x (M6 x 16)



4x (4,2 x 16)

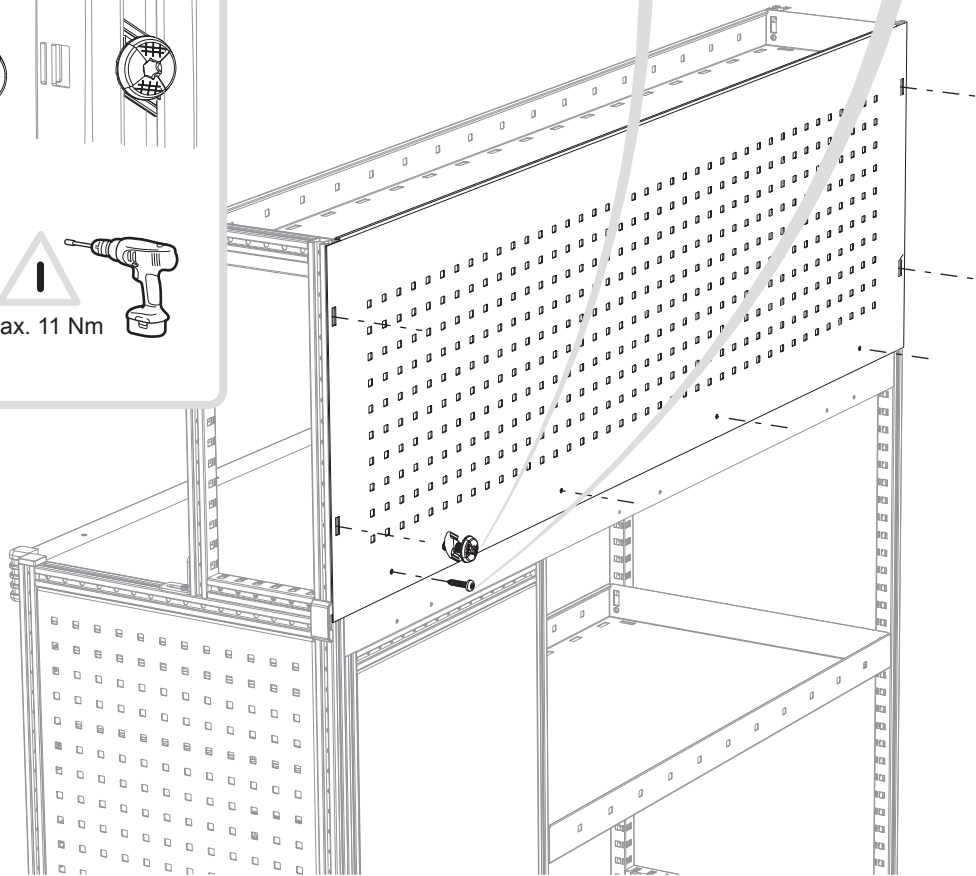


1

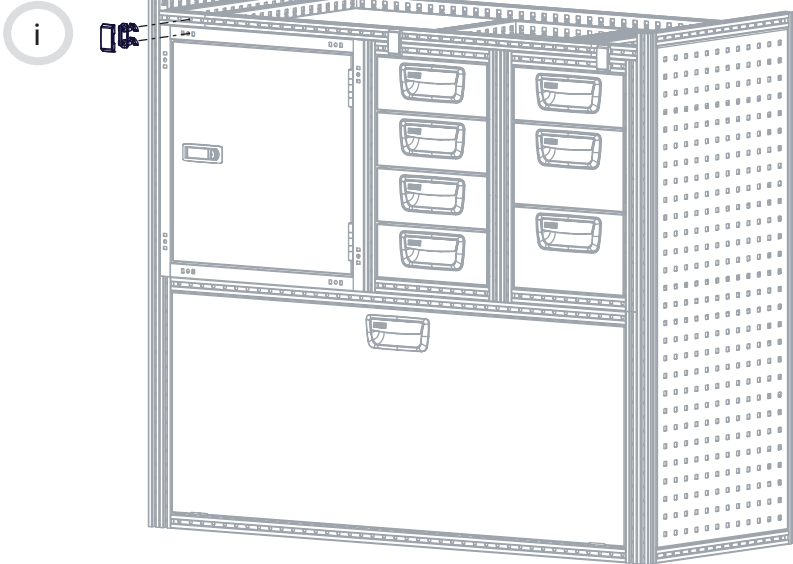
2

3

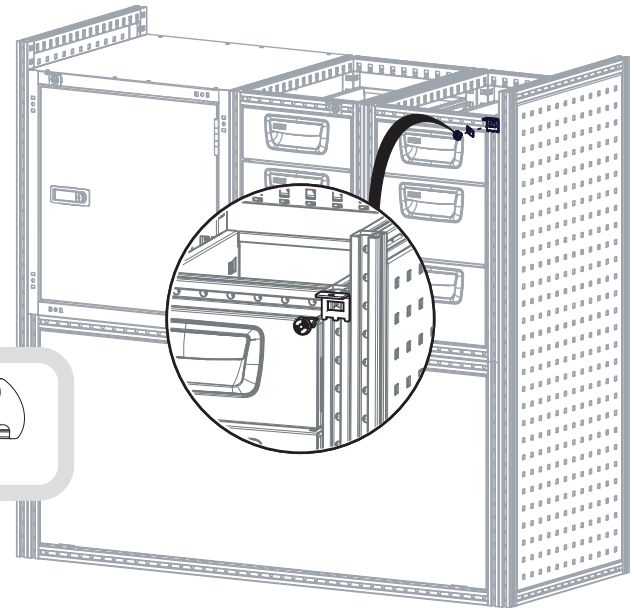
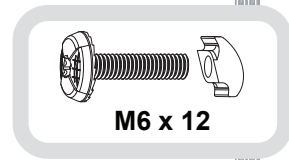
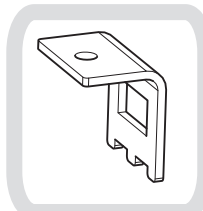
Max. 11 Nm



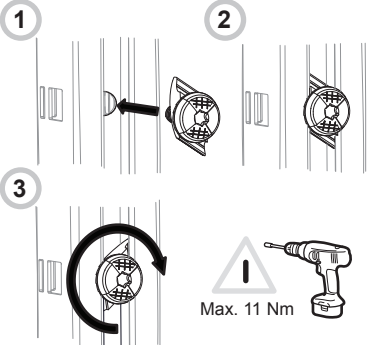
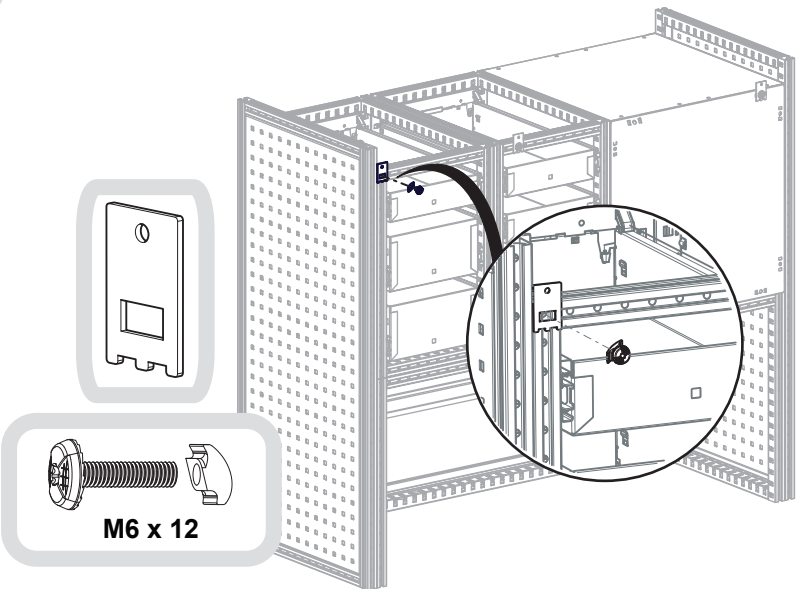
1



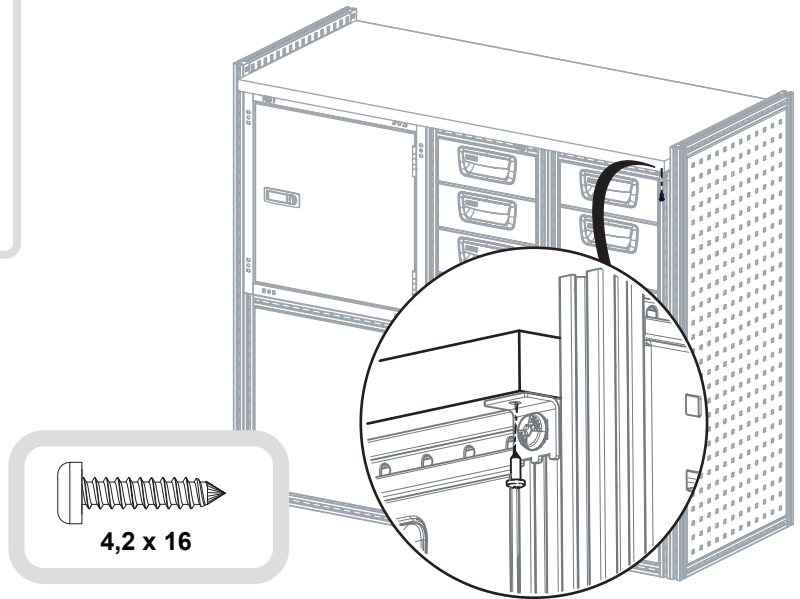
ii



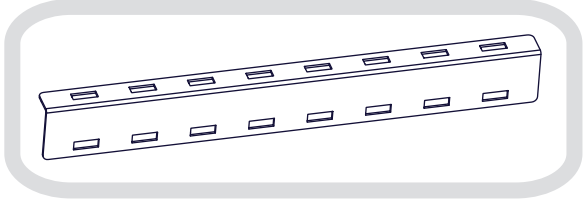
3



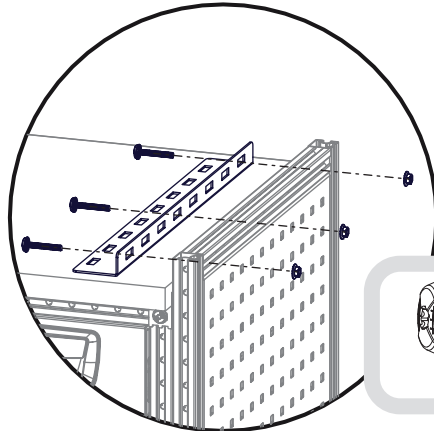
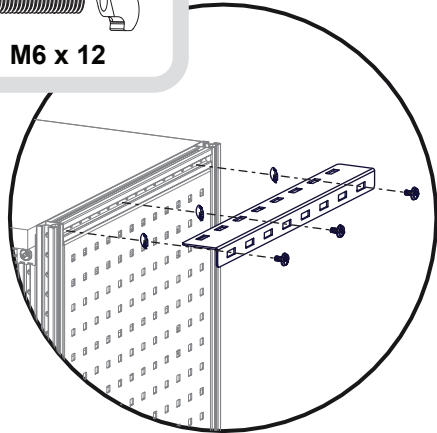
4



5



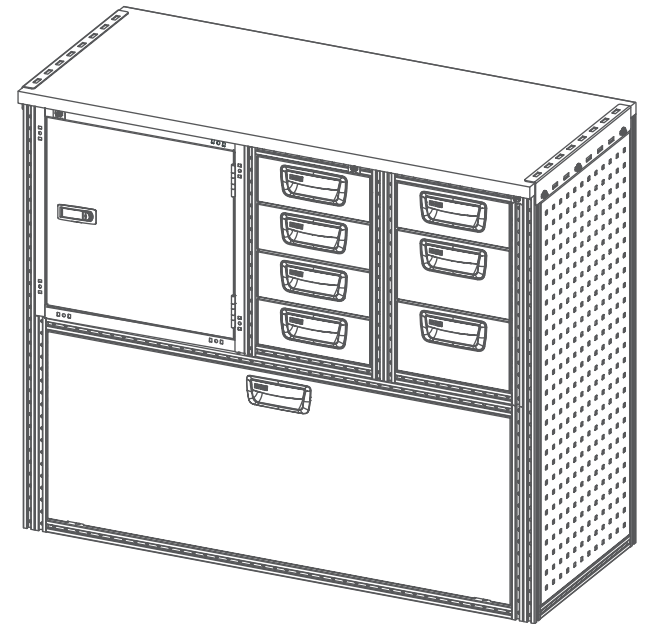
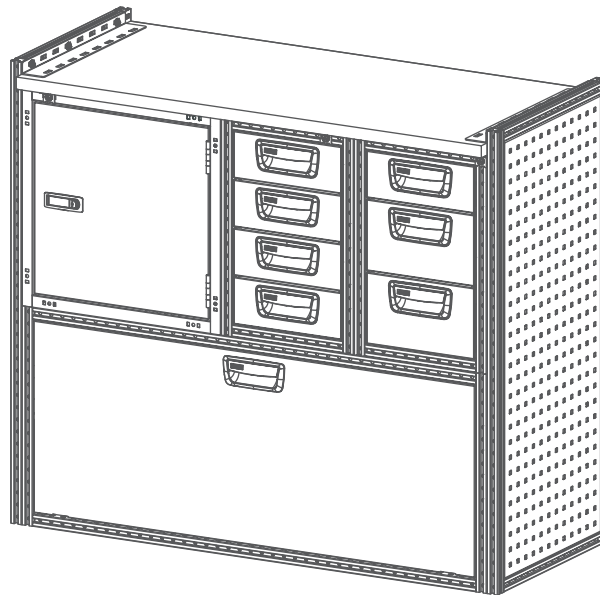
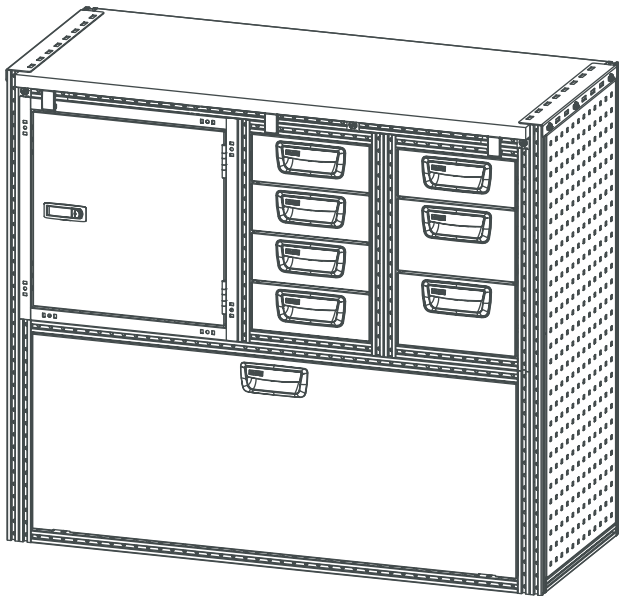
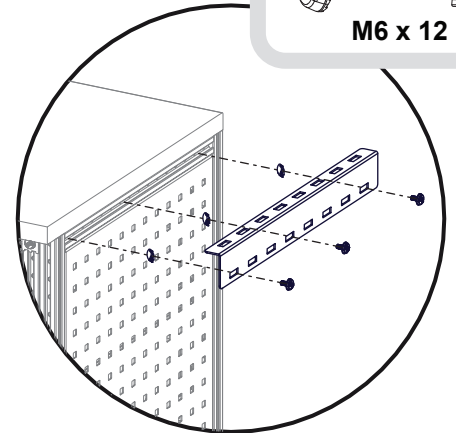
M6 x 12



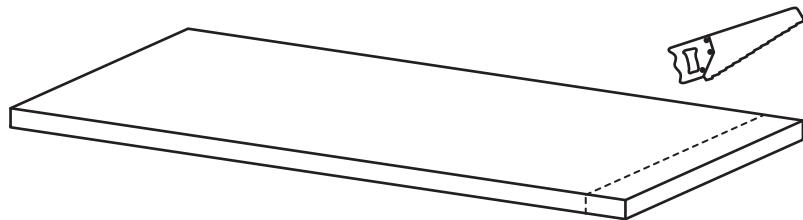
M6 x 40



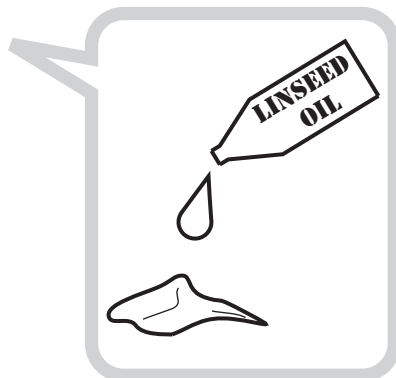
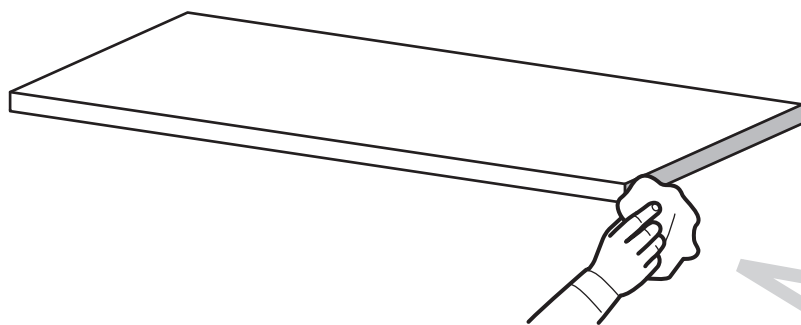
M6 x 12



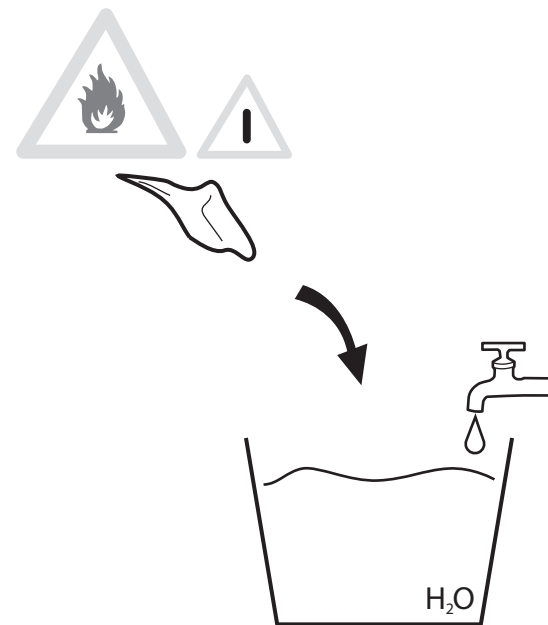
1



2

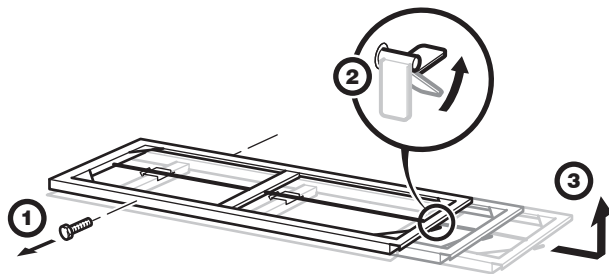


3

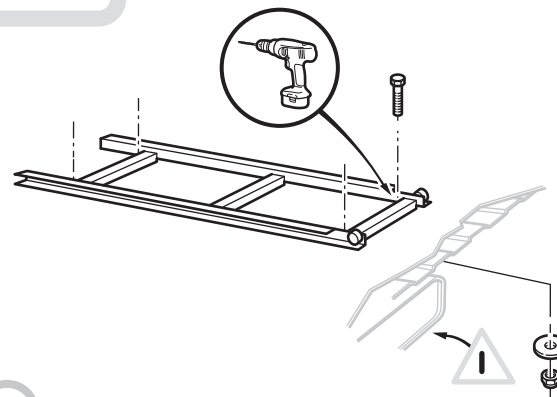


MODUL-SYSTEM

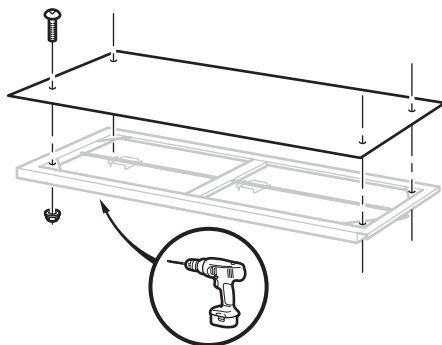
1011_3



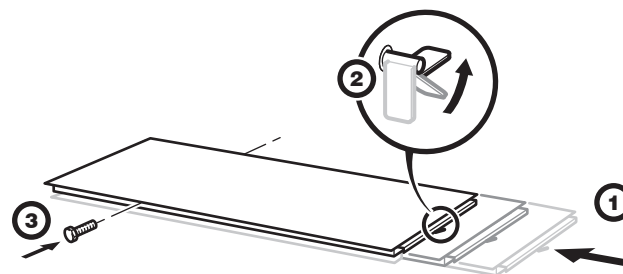
1



2



3



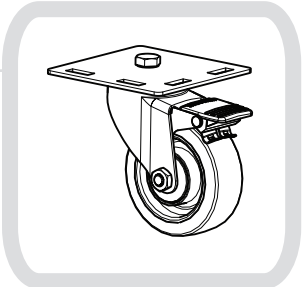
4



1



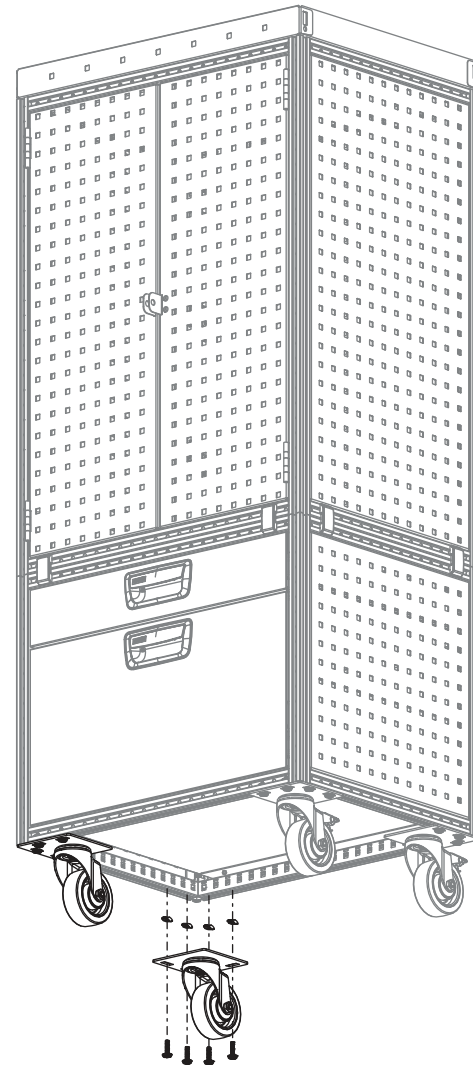
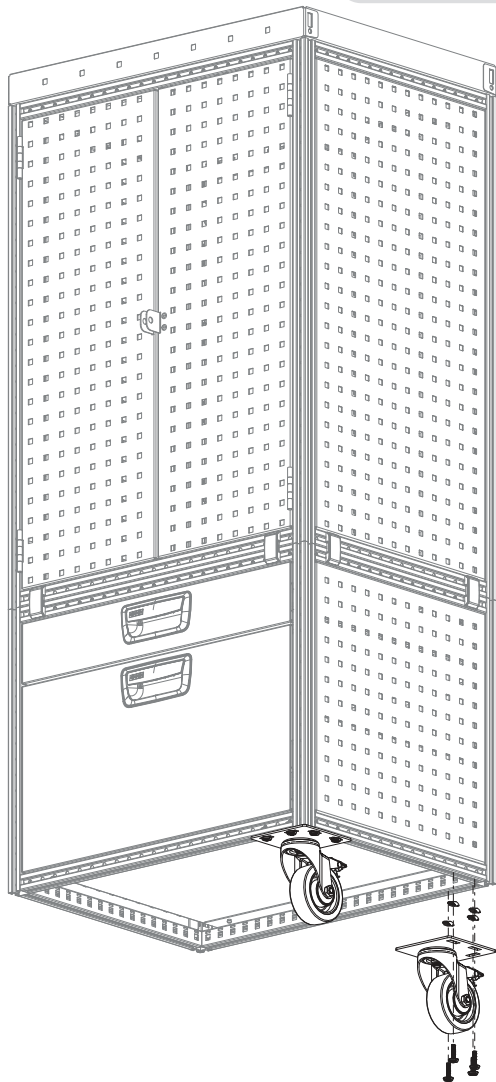
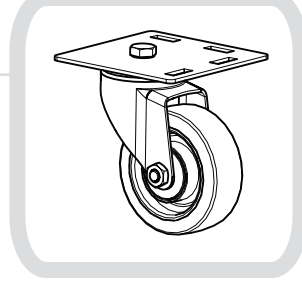
8x (M6 x 16)

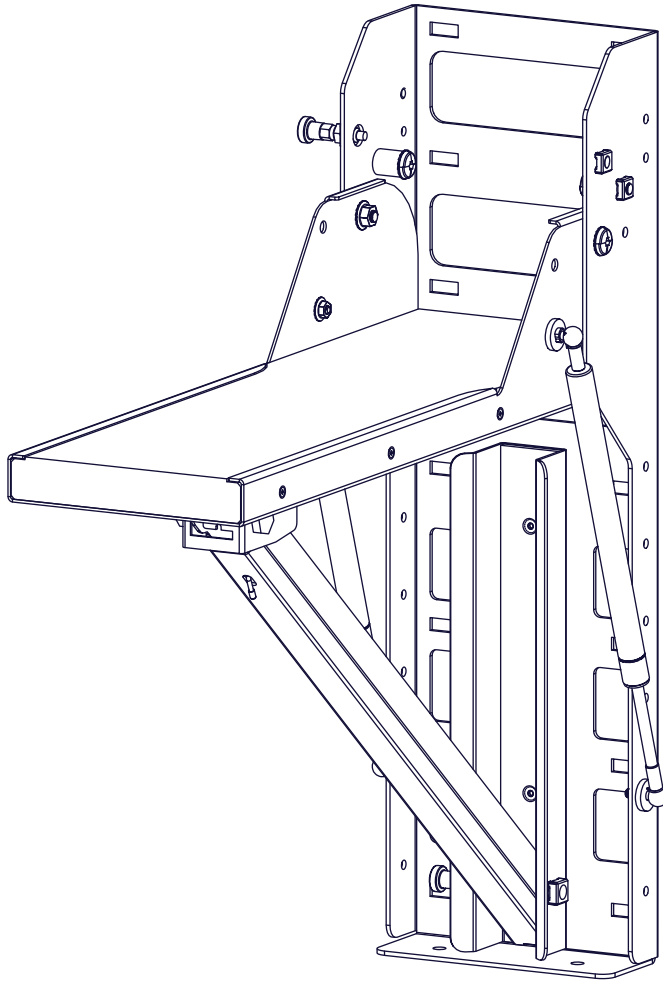


2

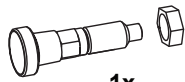


8x (M6 x 16)

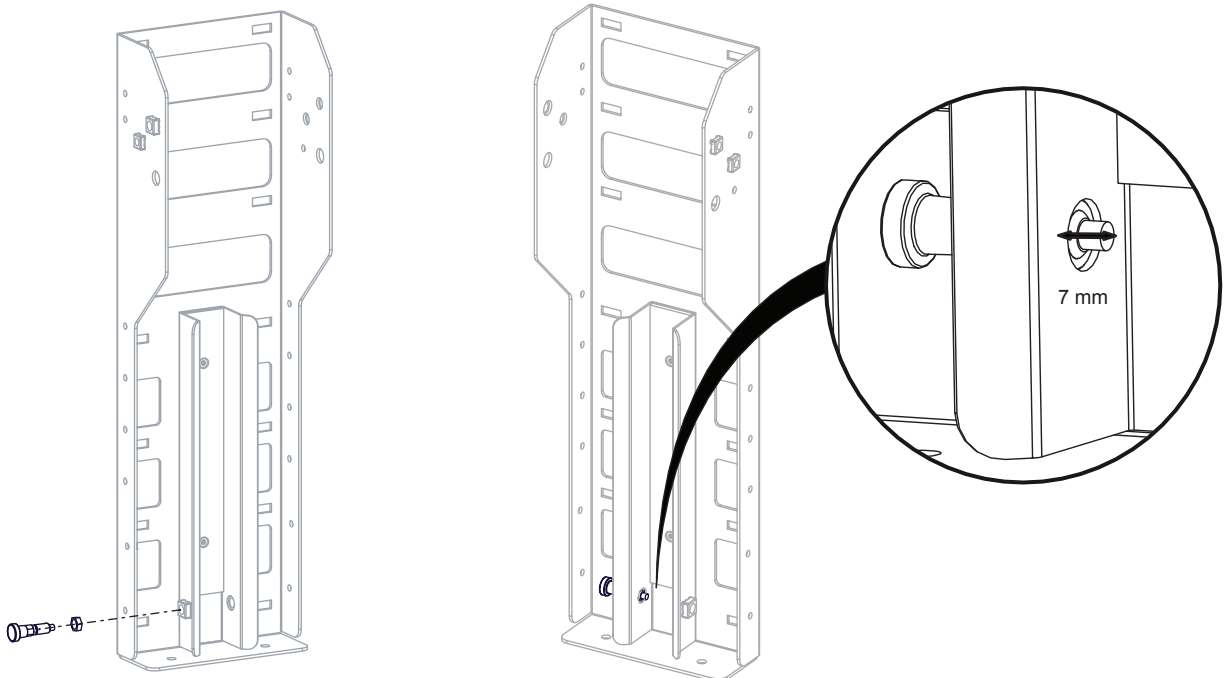




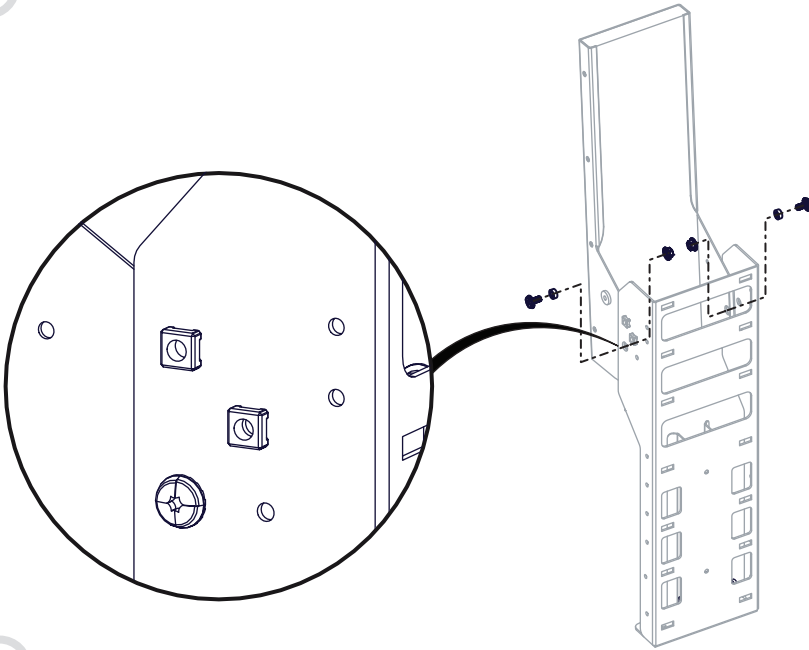
1



1x



2

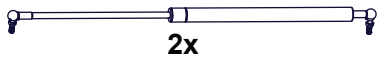
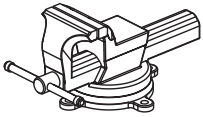


2x



M8x16
x2

3



2x



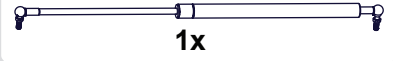
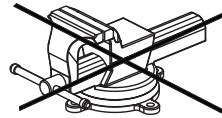
8x



4x



4x



1x



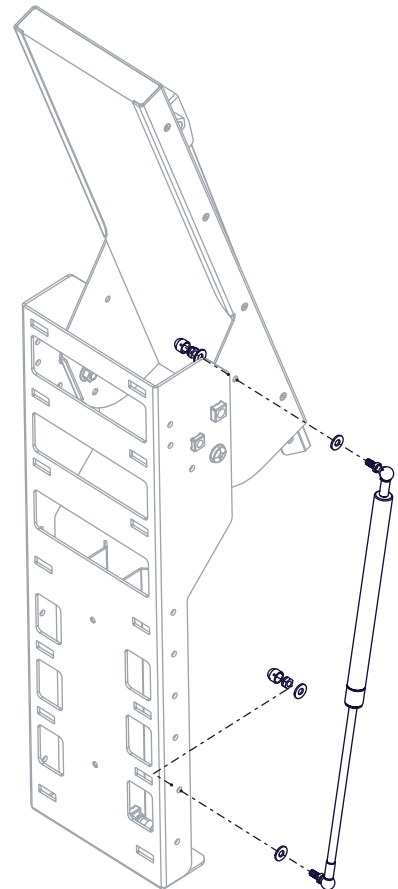
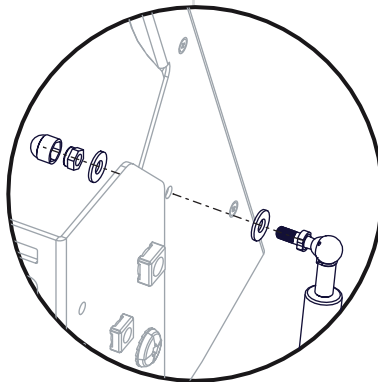
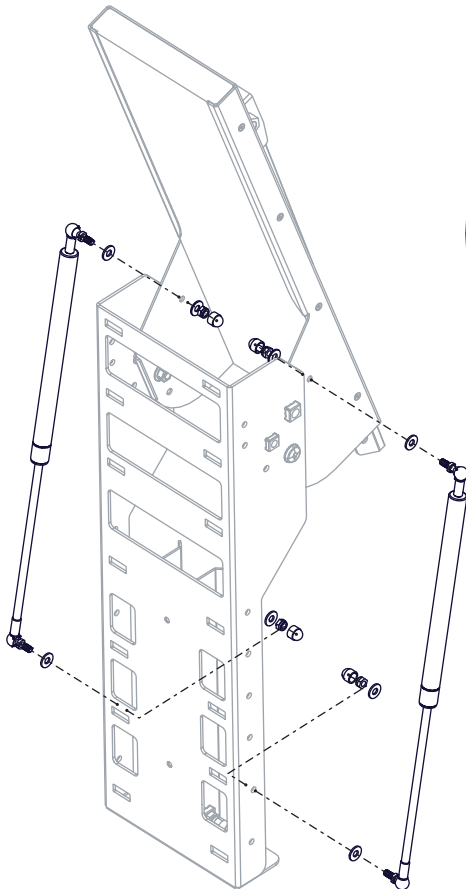
4x



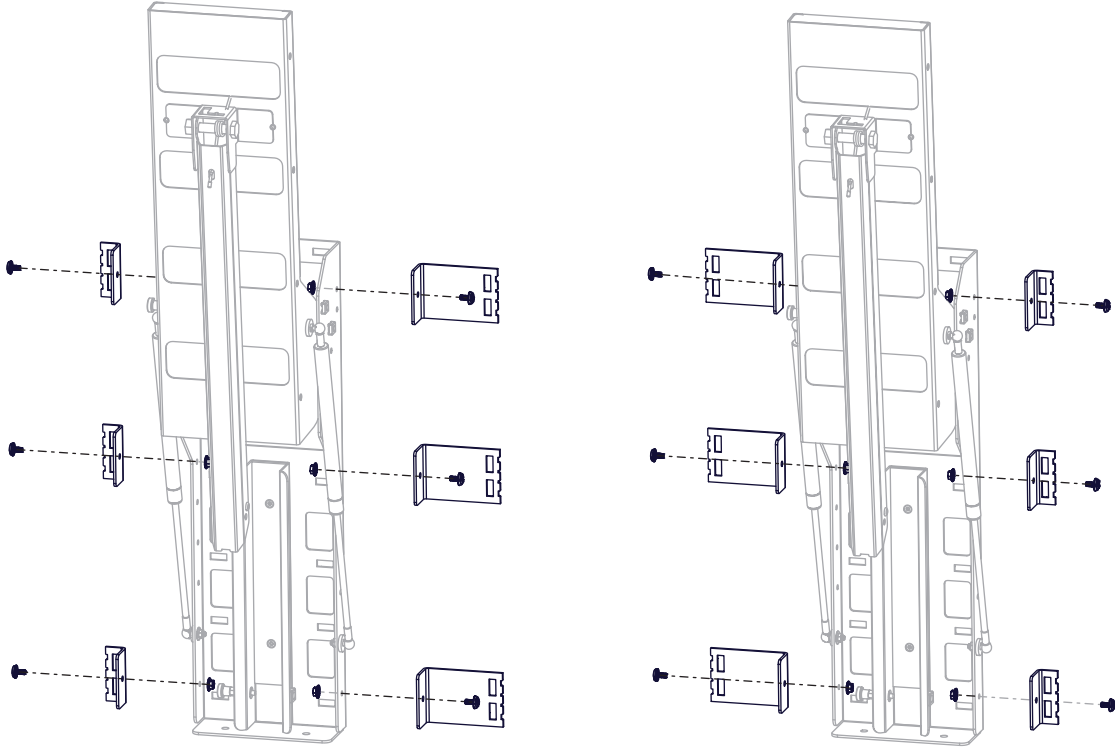
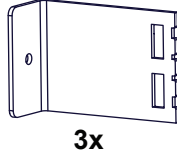
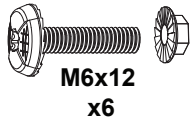
2x



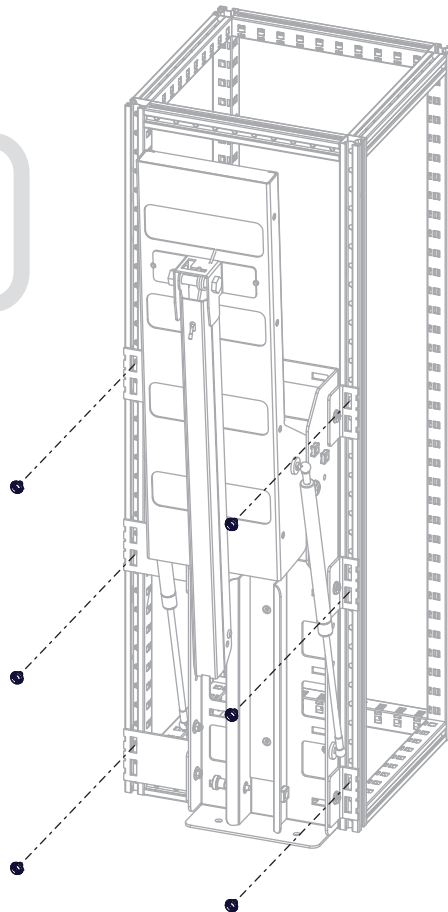
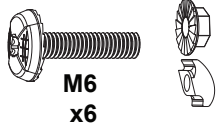
2x



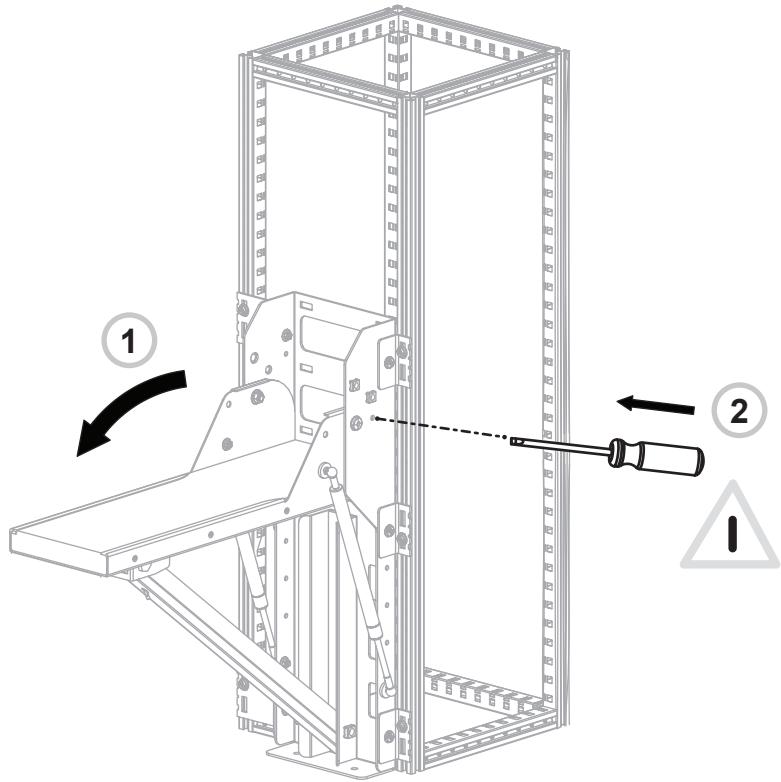
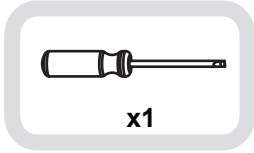
4



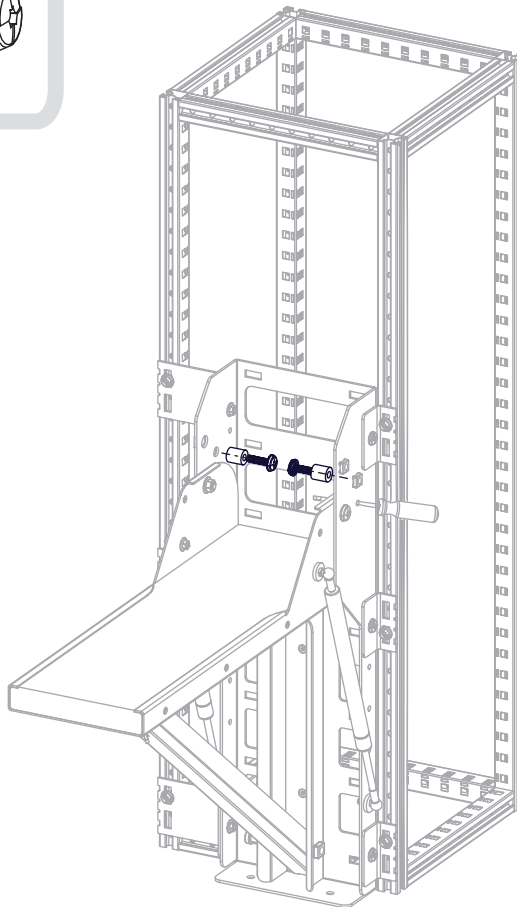
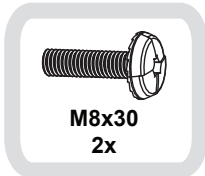
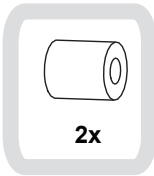
5



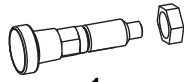
6



7

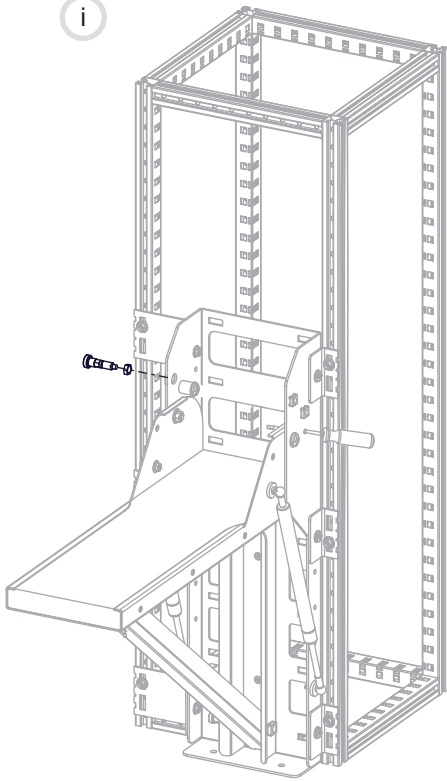


8

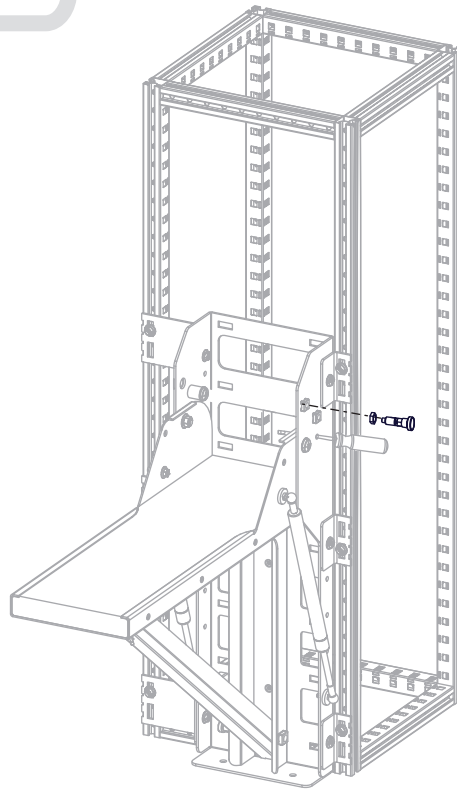


1x

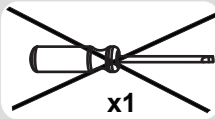
i



ii

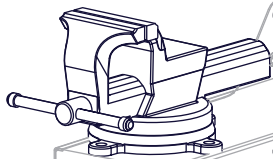


9



x1

1

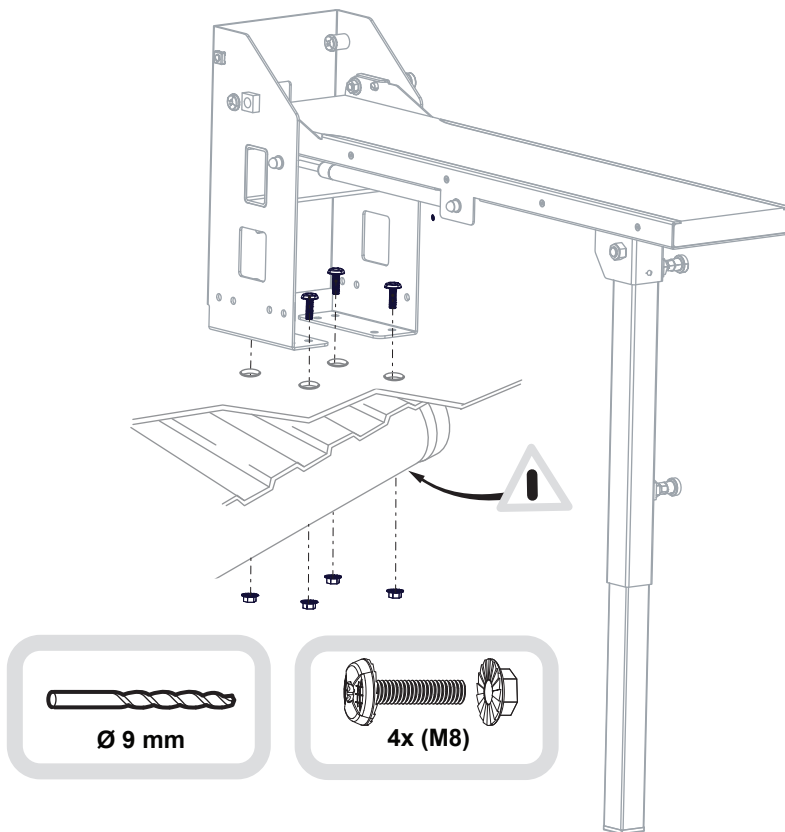


2



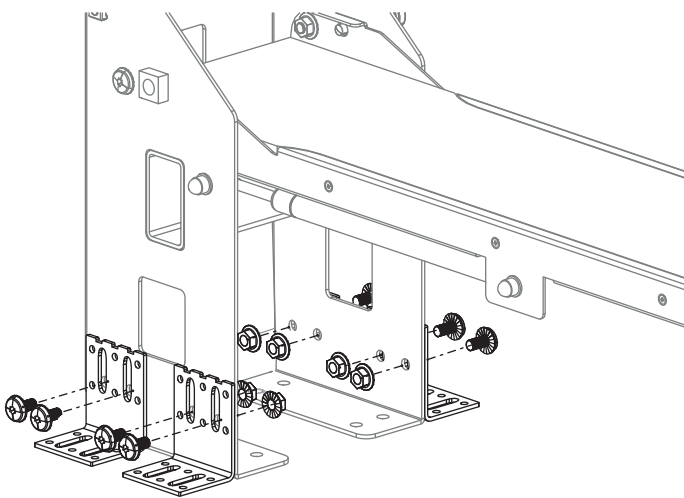
1

i



ii

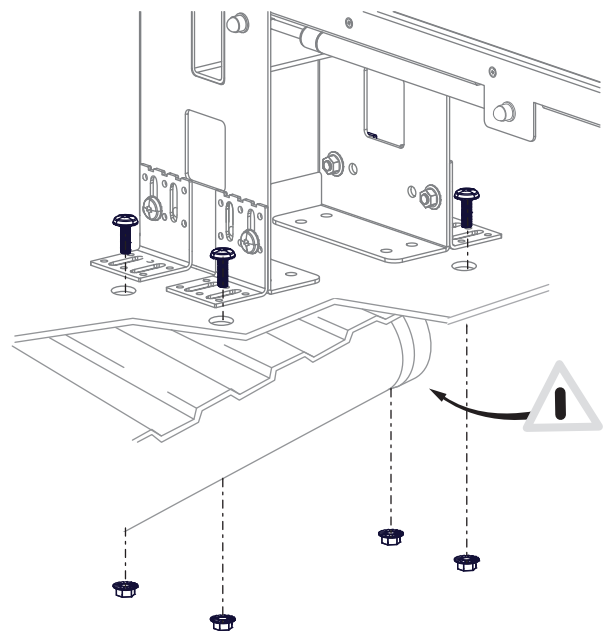
A



4x

8x (M8x16)

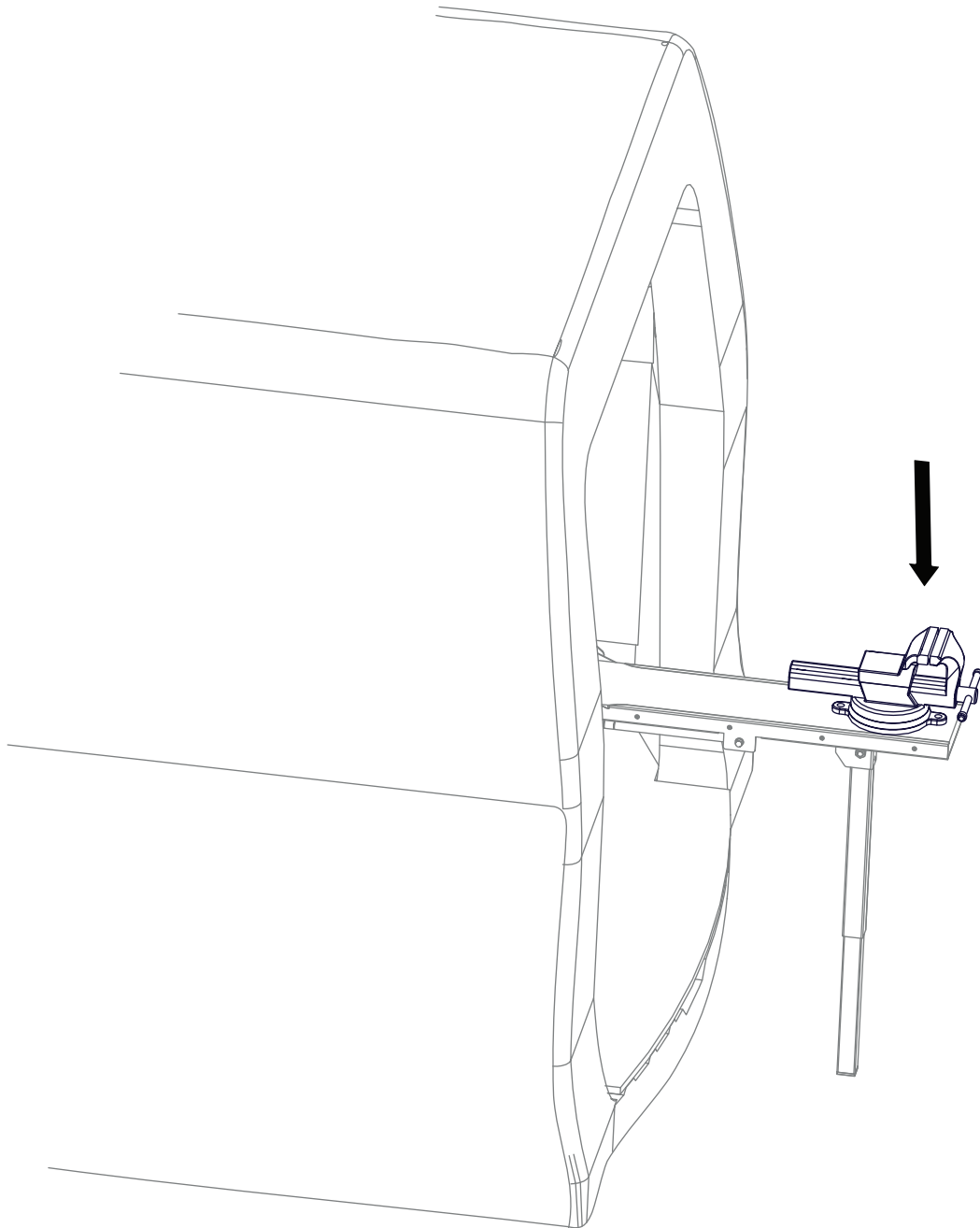
B



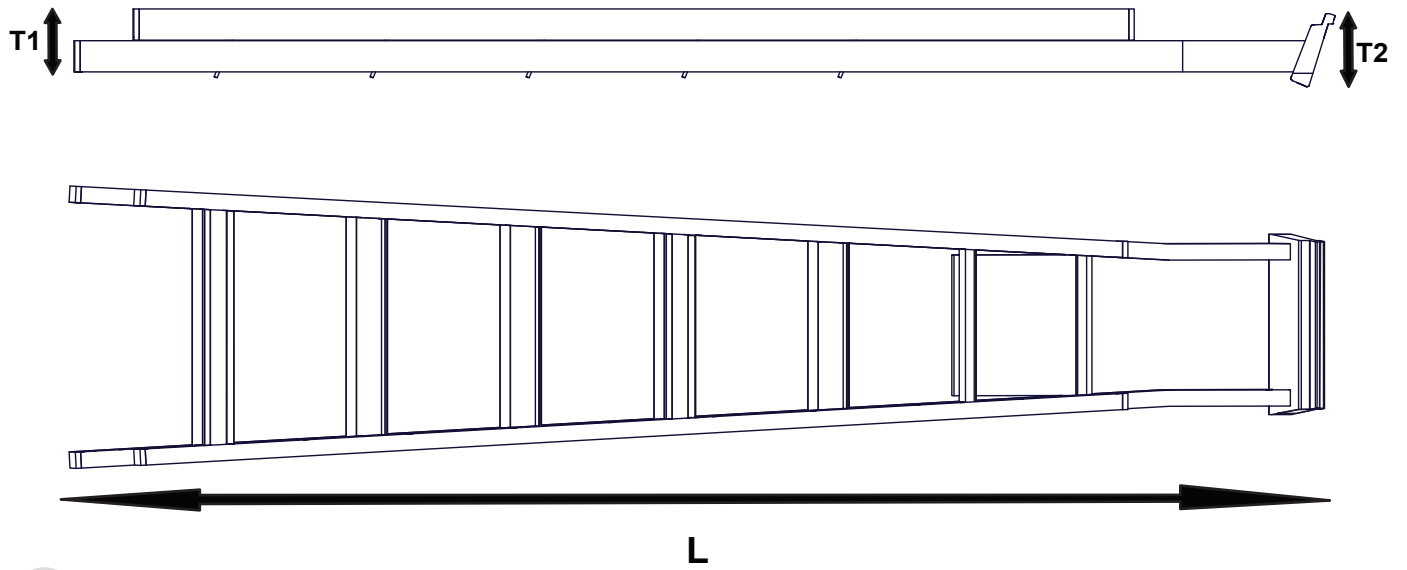
Ø 9 mm

4x (M8)

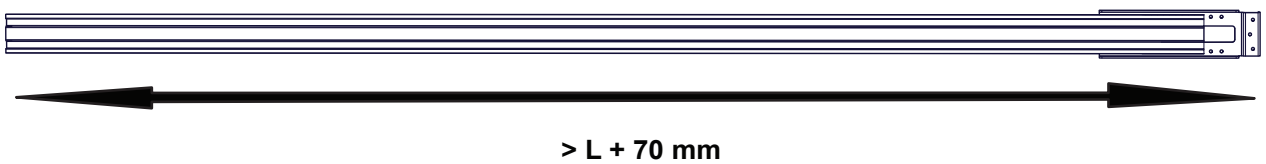
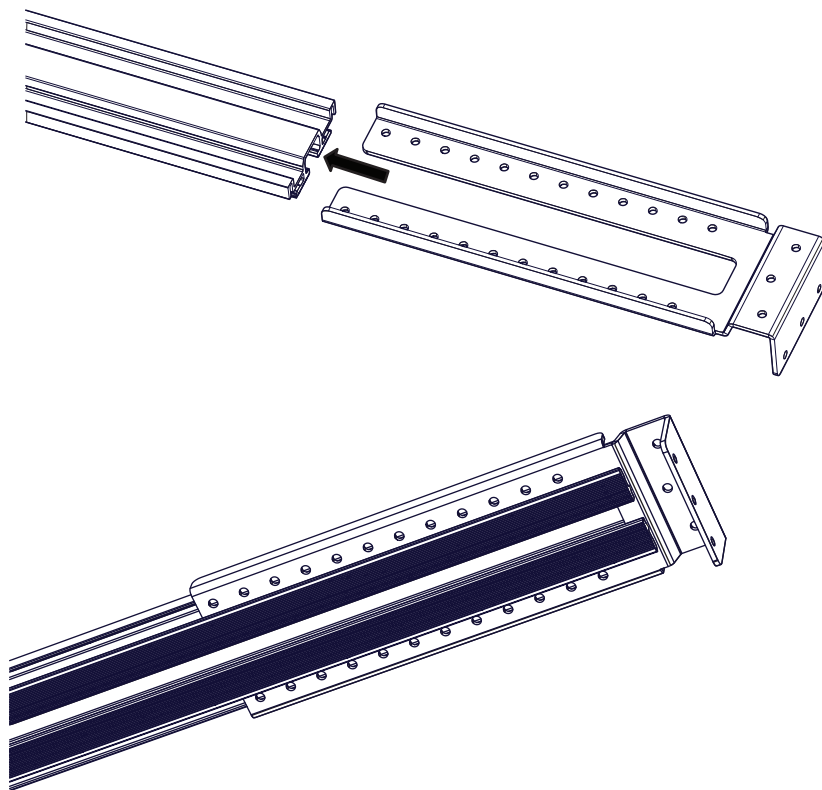
2



1



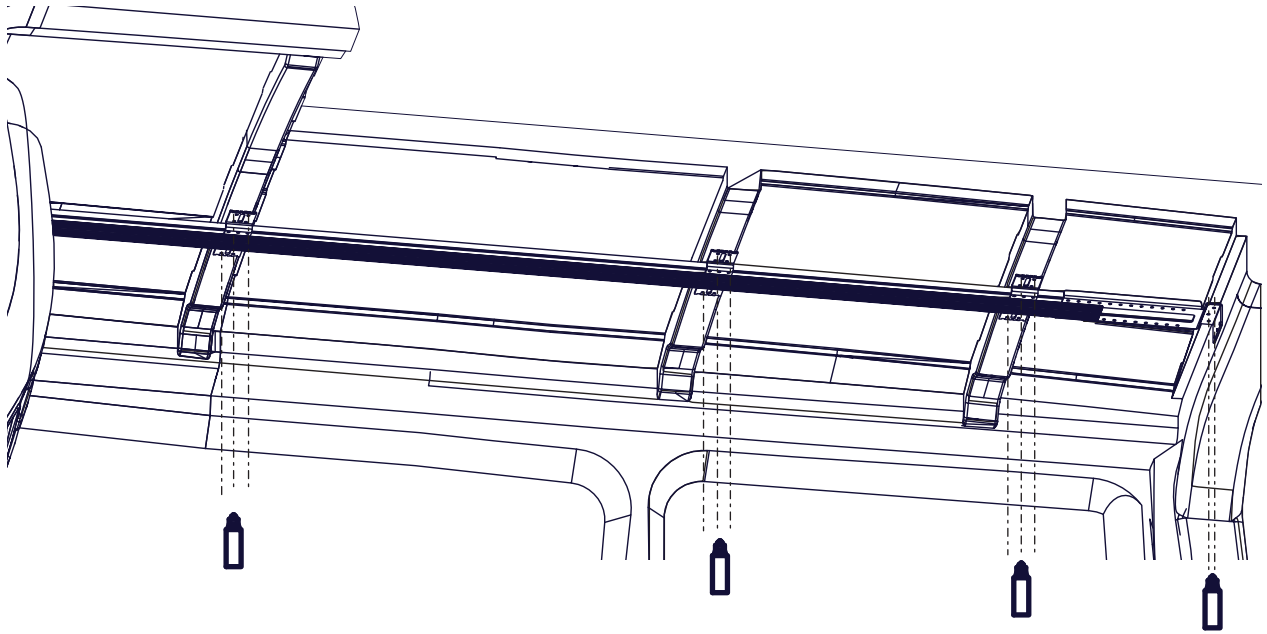
2



3



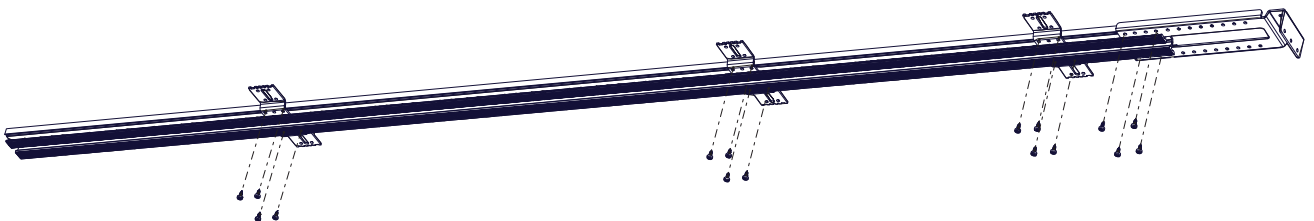
Ø 5 mm



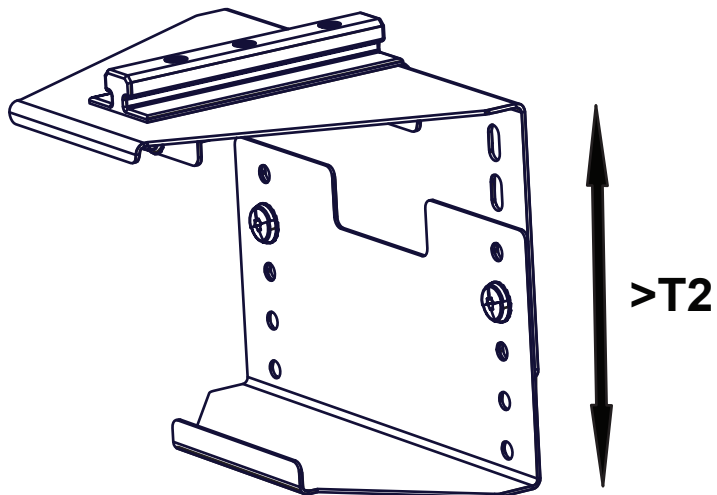
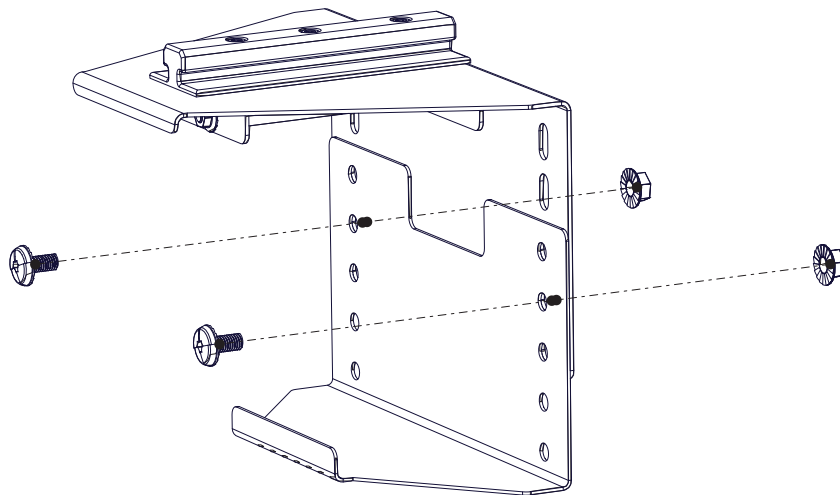
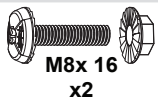
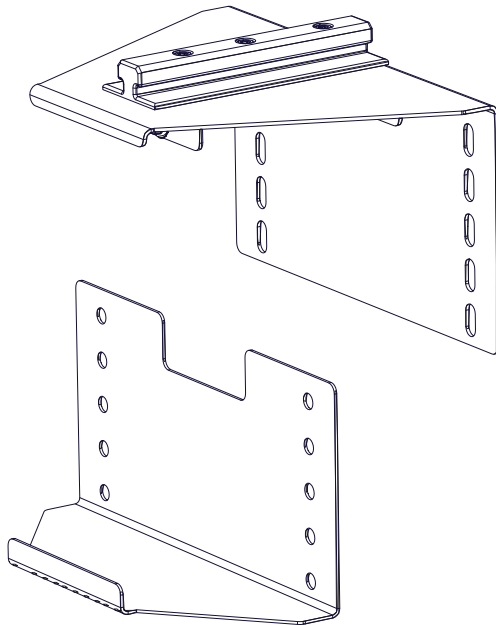
4



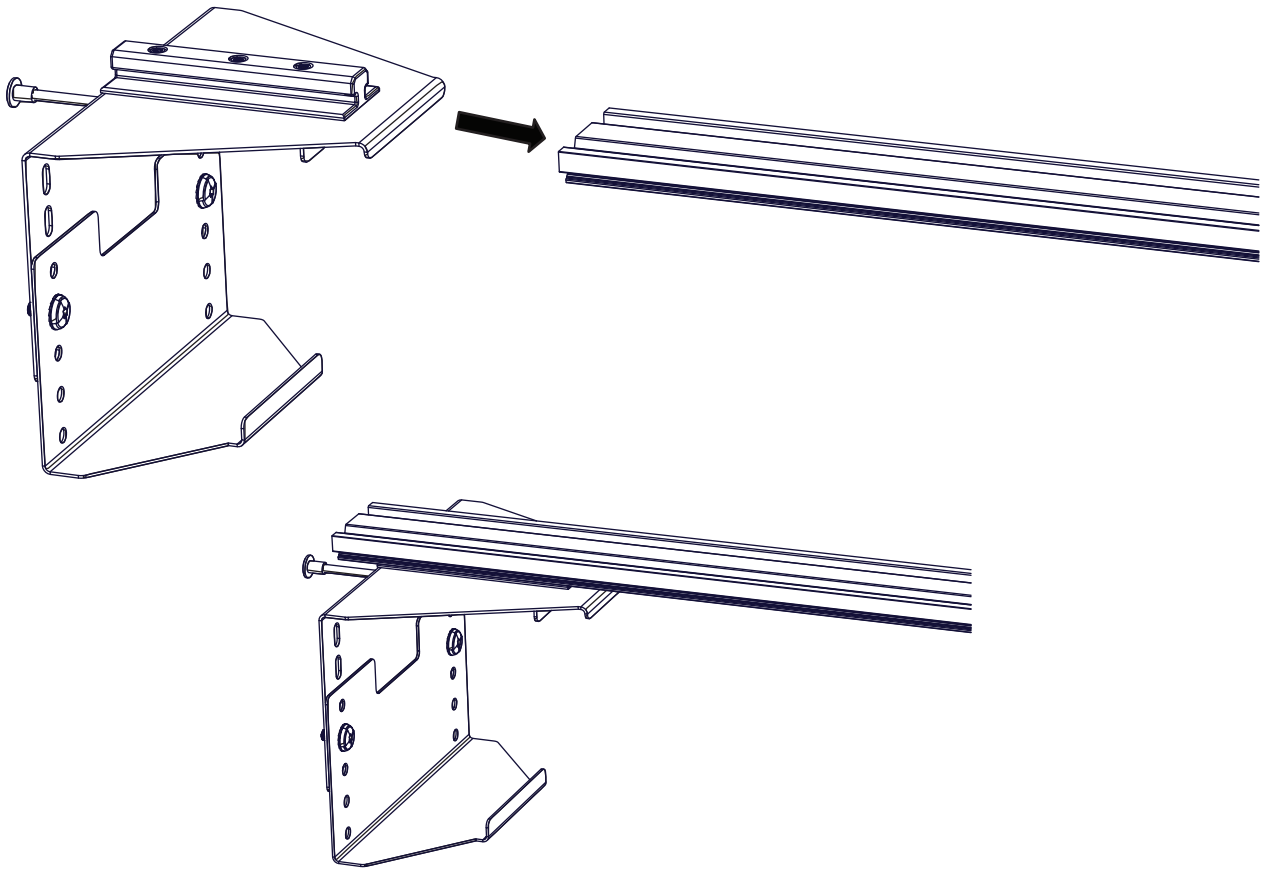
ST4,8x 13



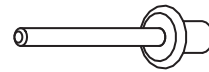
5



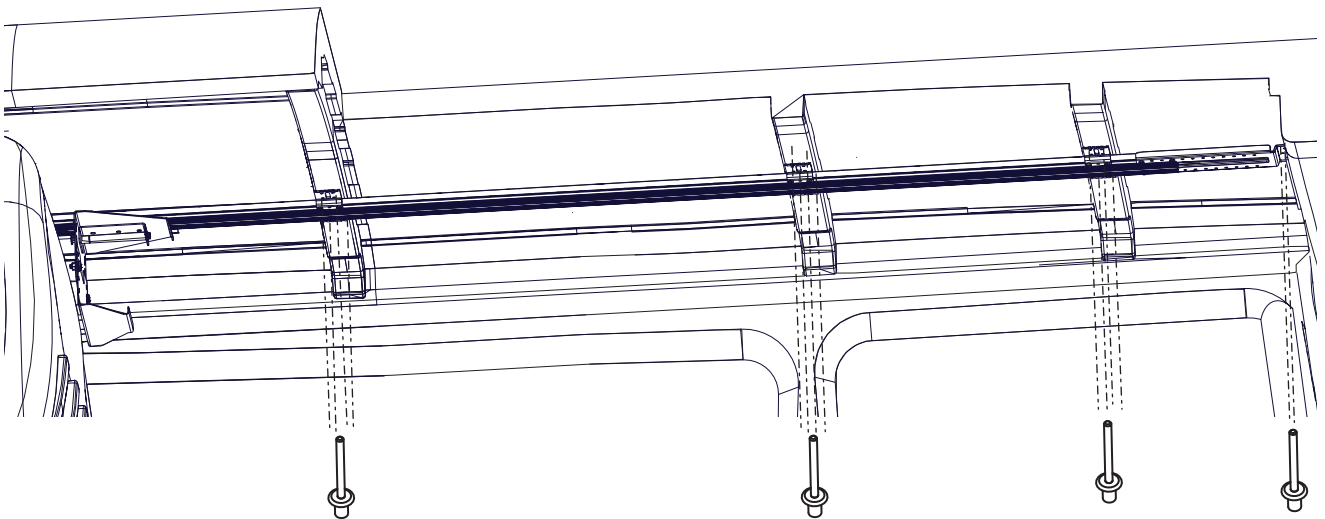
6



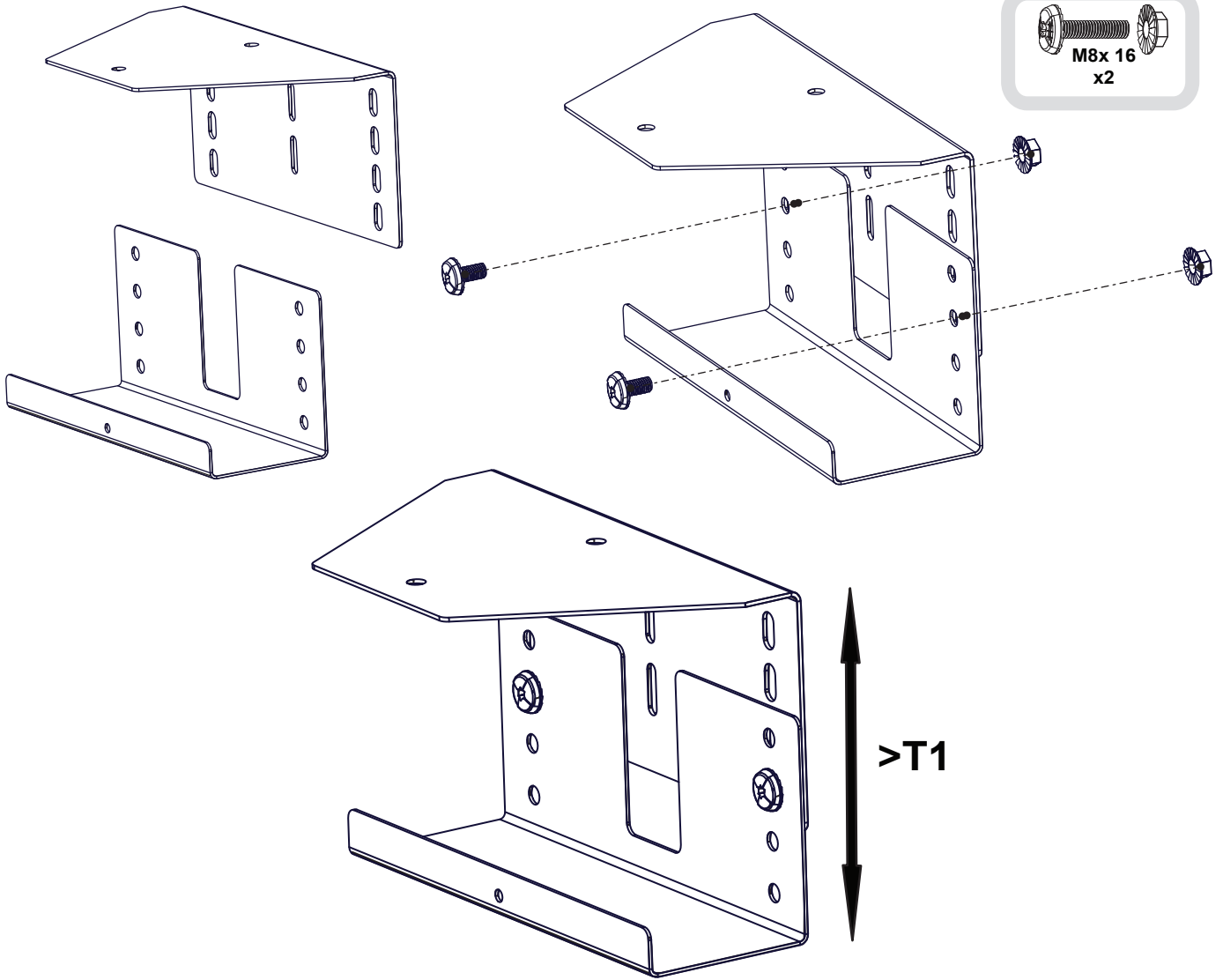
7



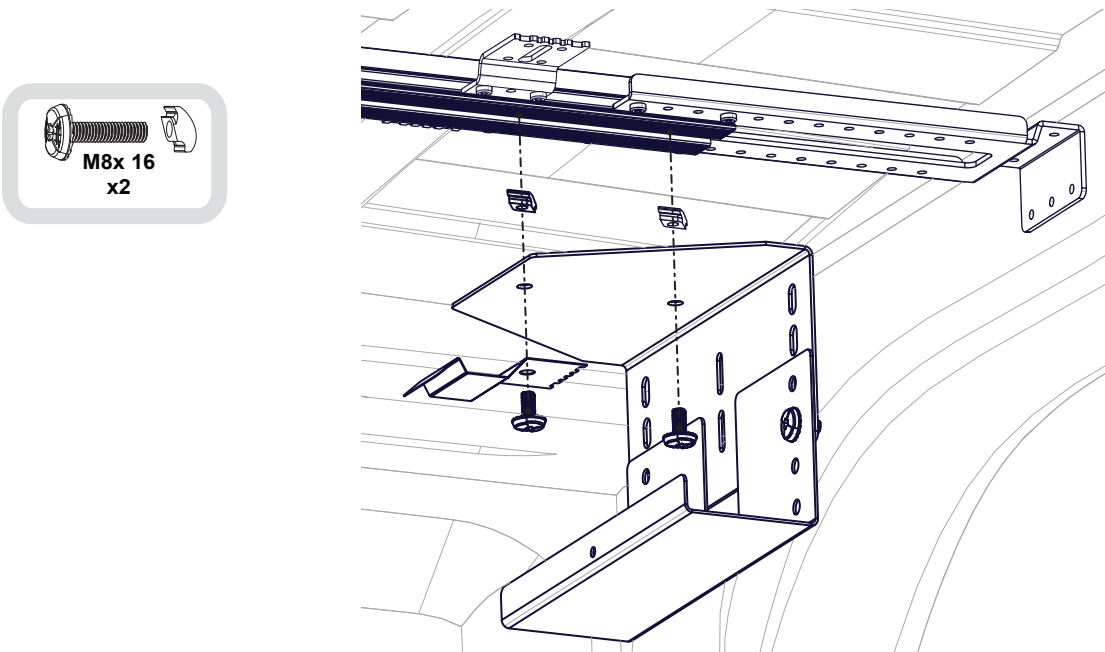
4.8



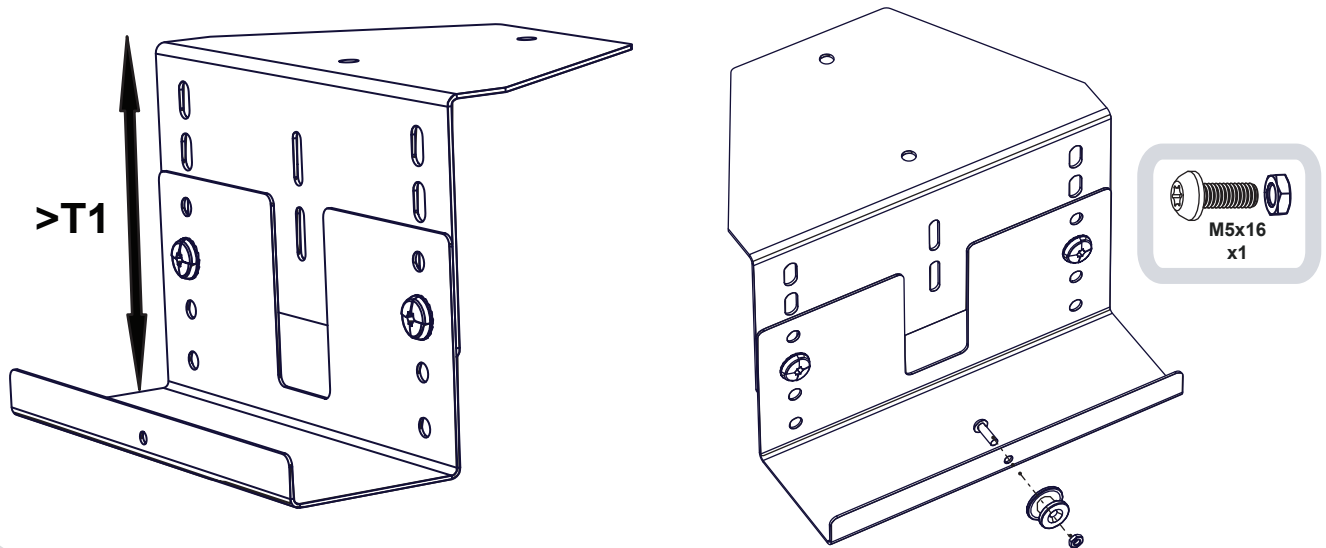
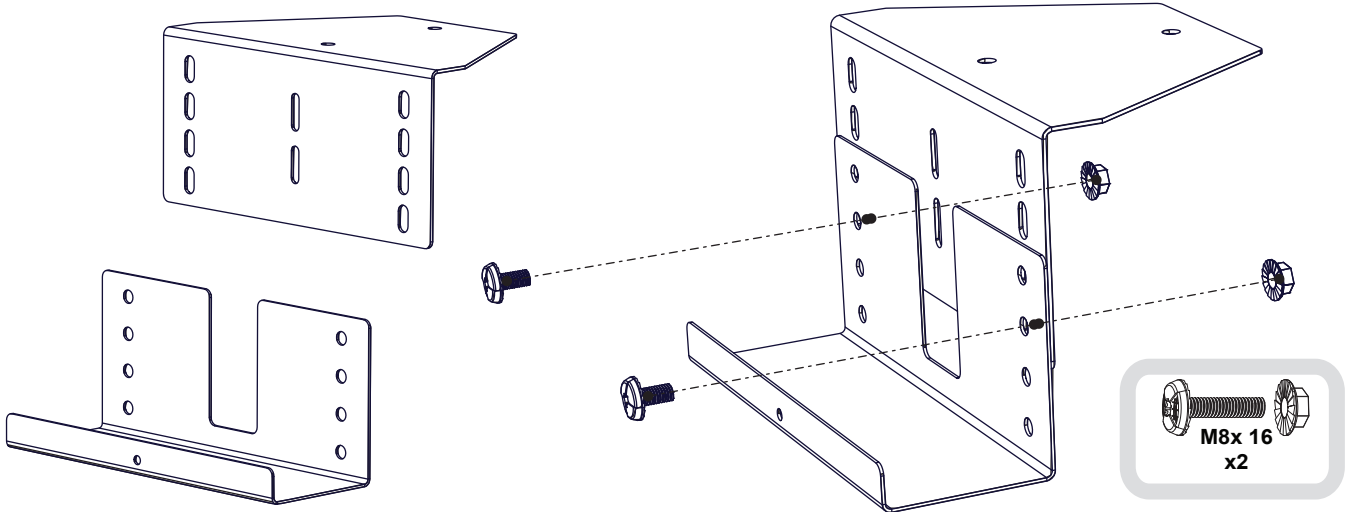
8/a



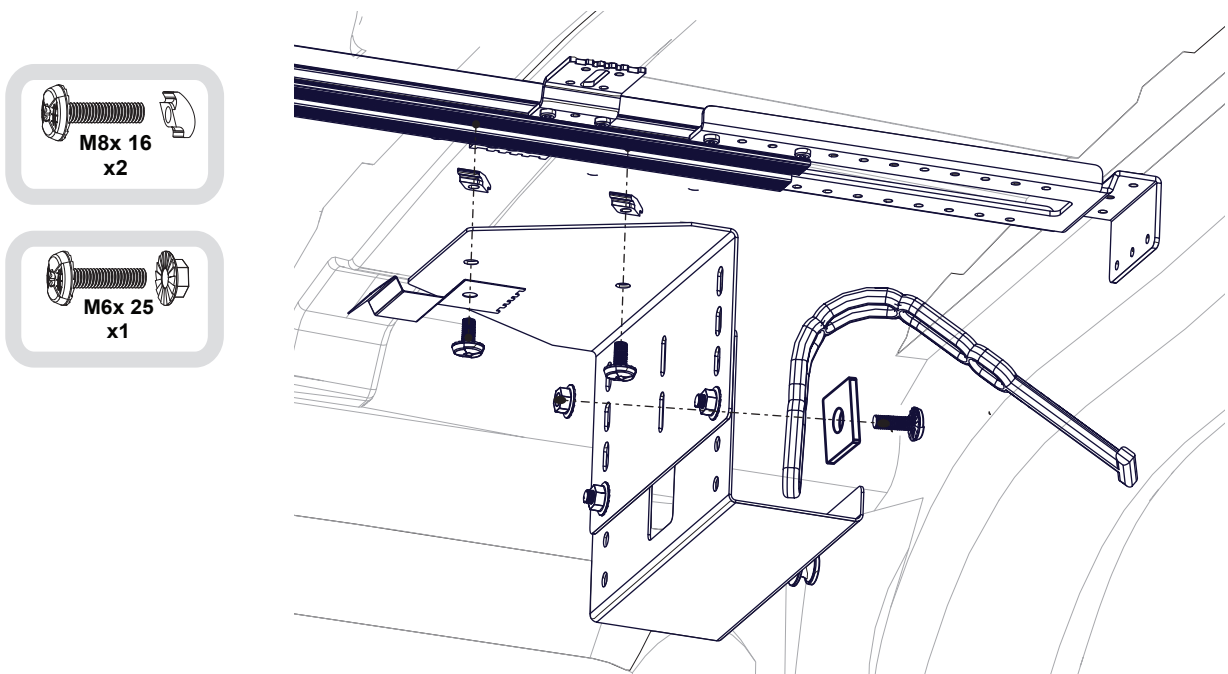
9/a



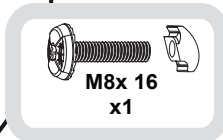
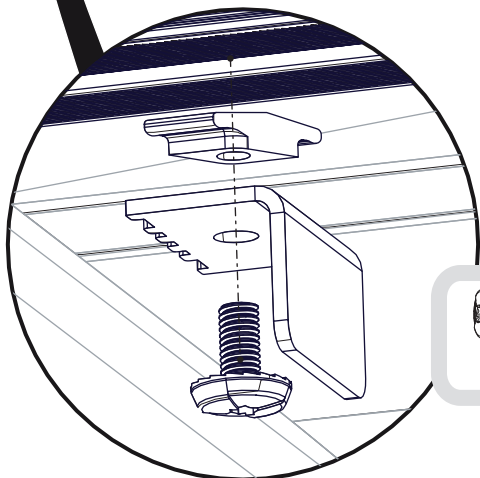
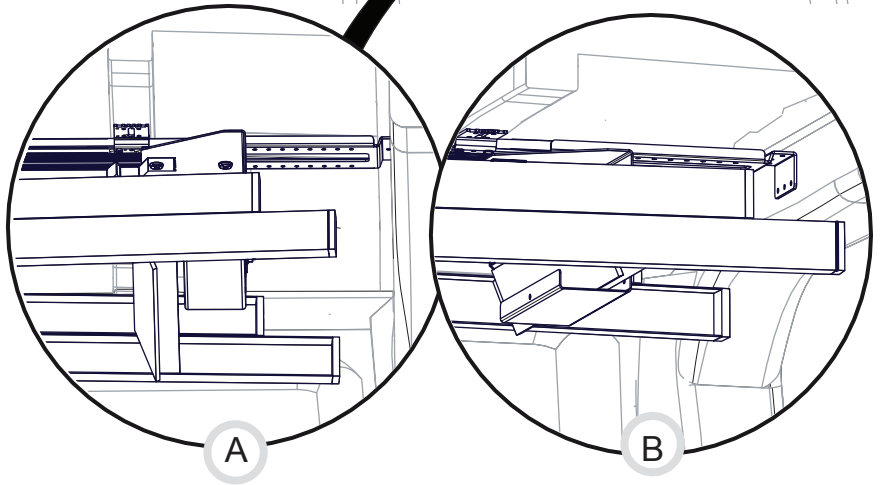
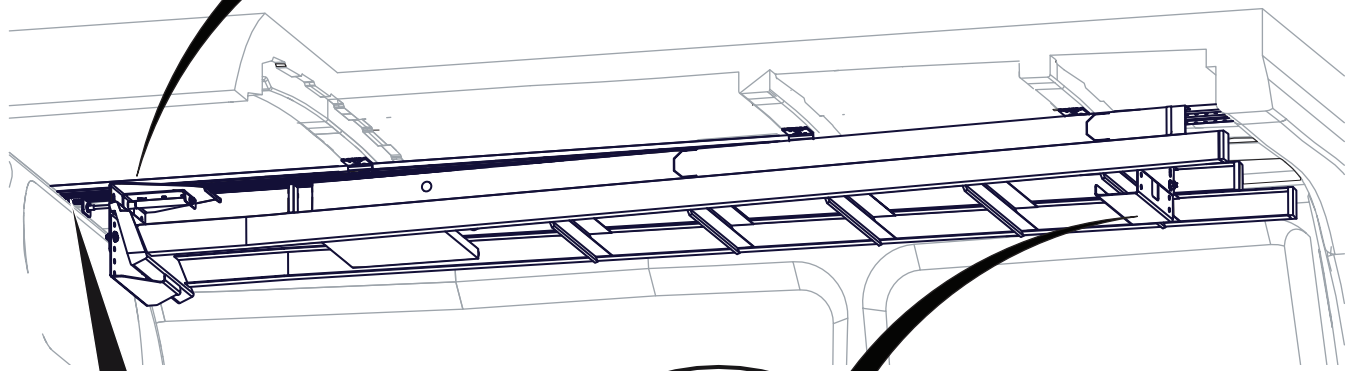
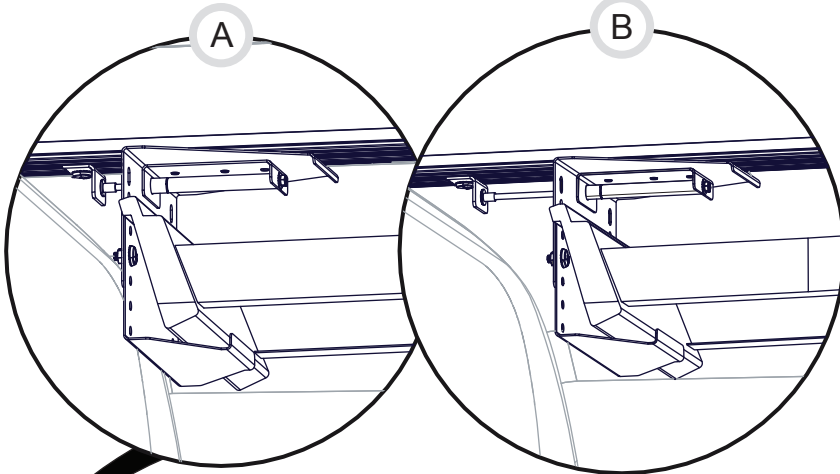
8/b



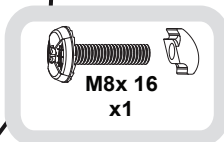
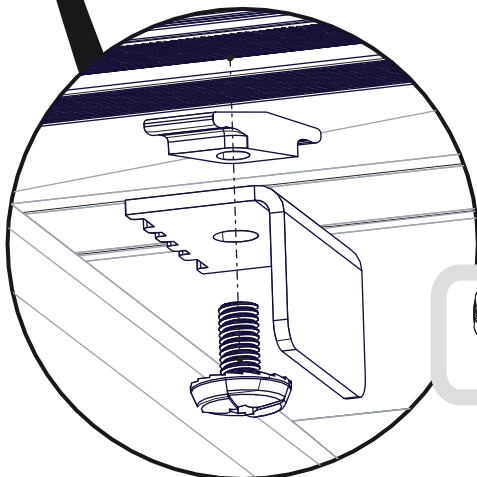
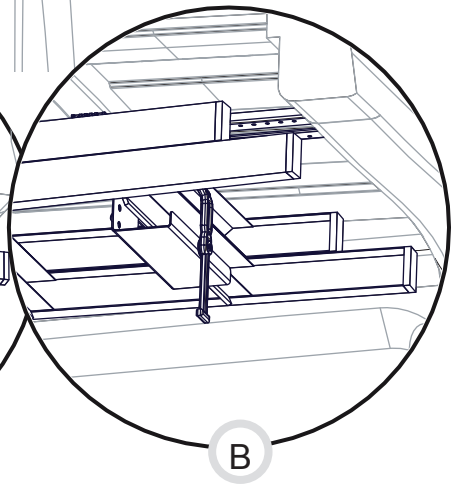
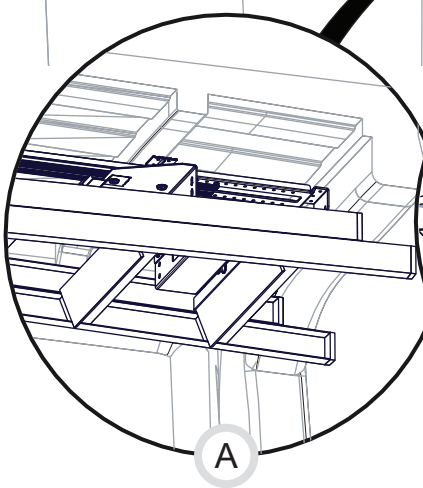
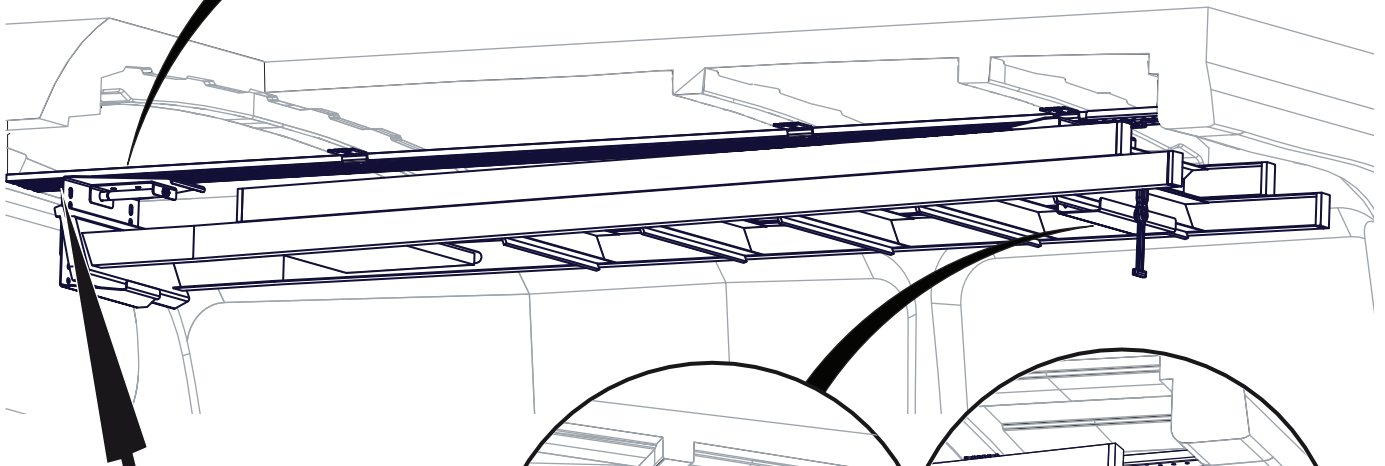
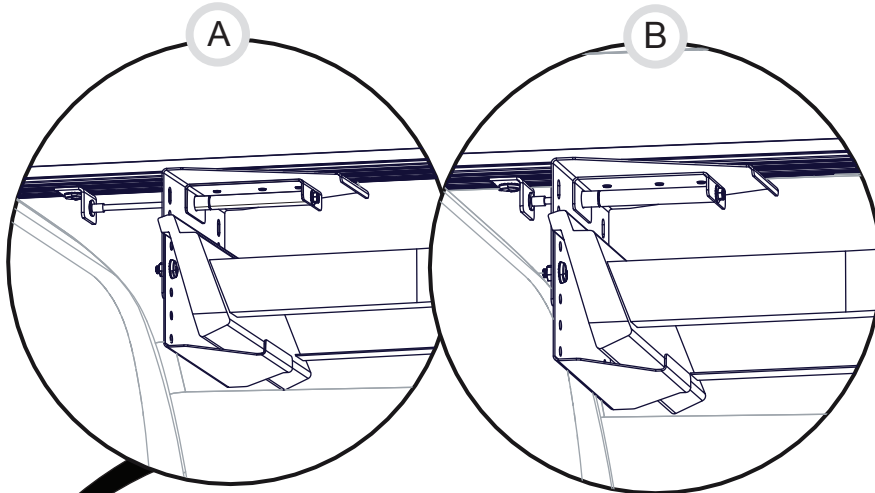
9/b

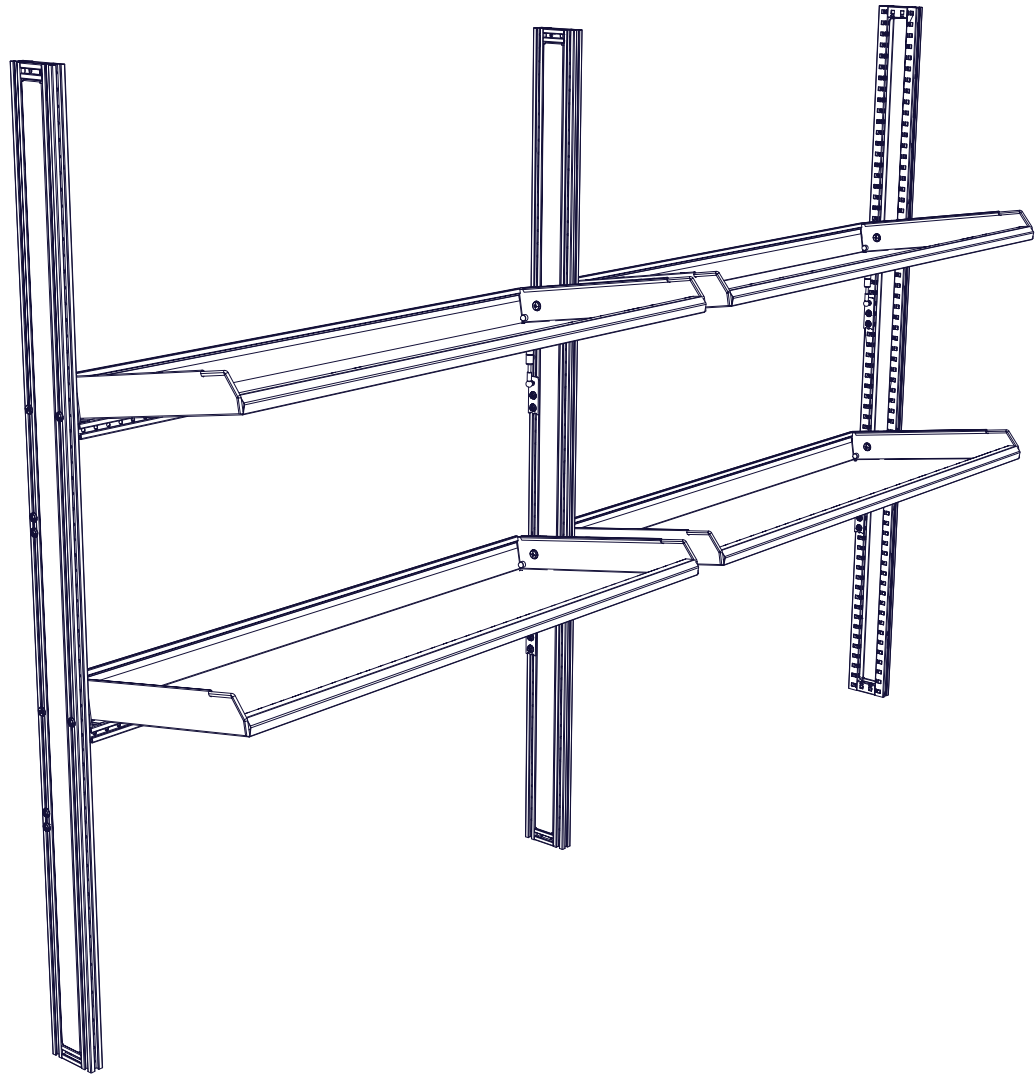


10/a



10/b





1



2x



2x



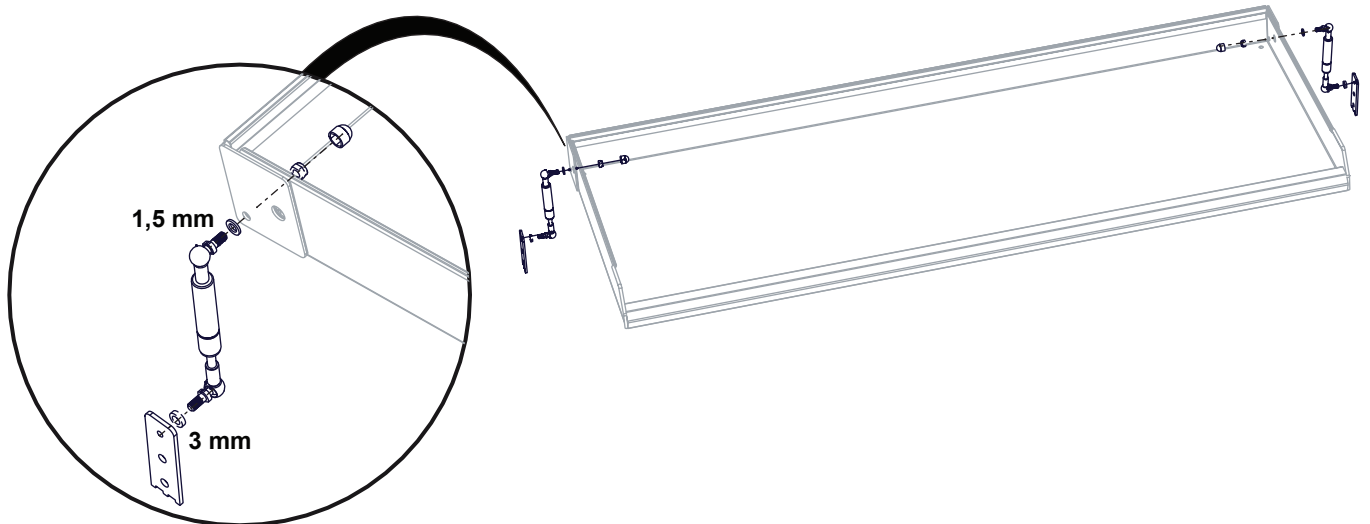
1,5 mm
2x



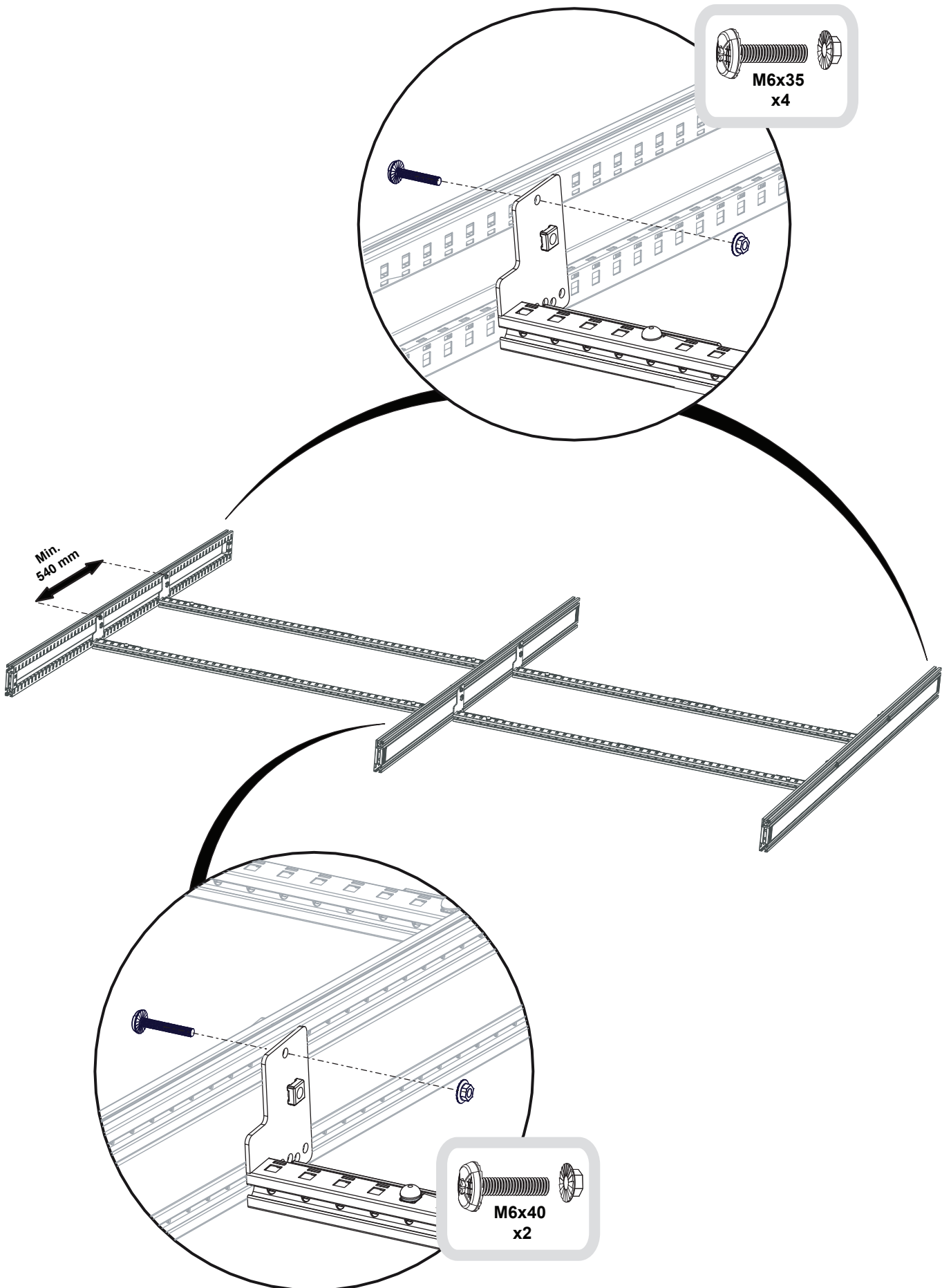
3 mm
2x



2x



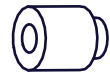
2



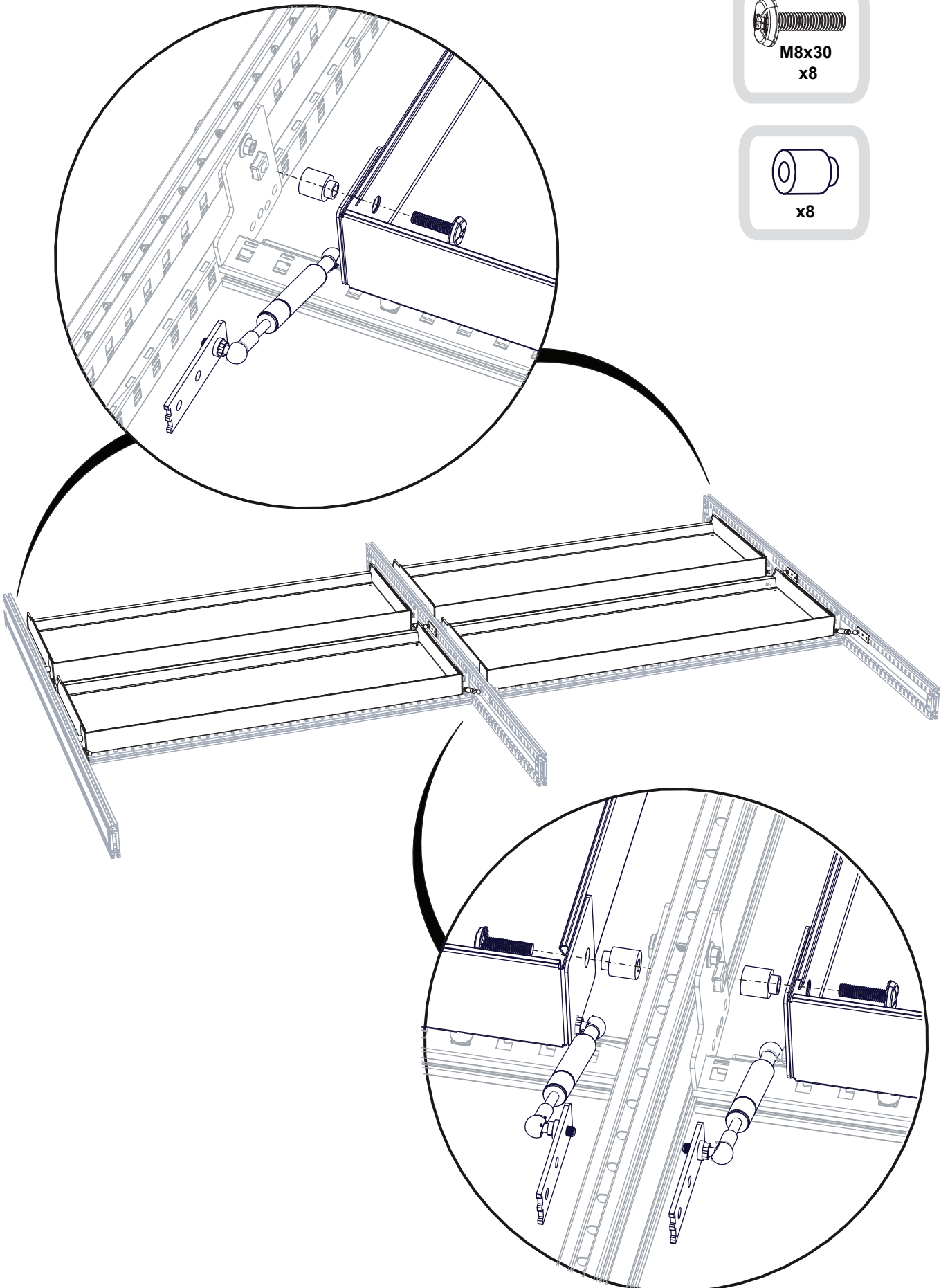
3

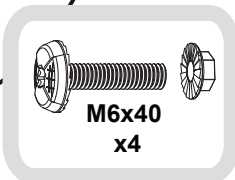
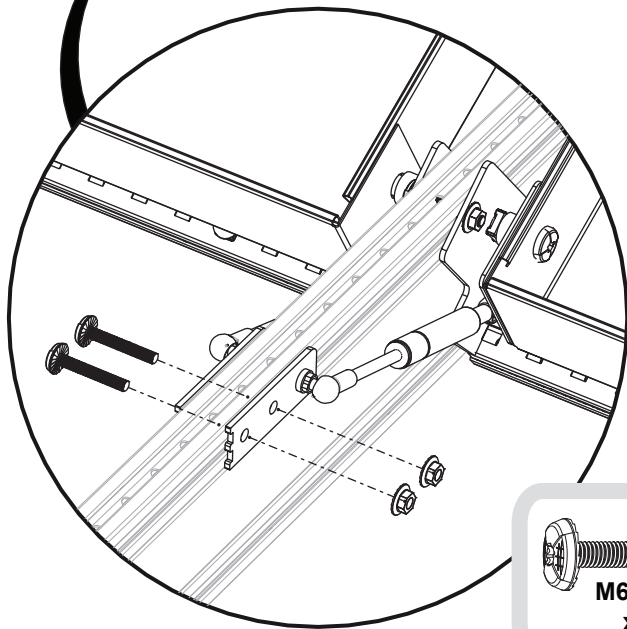
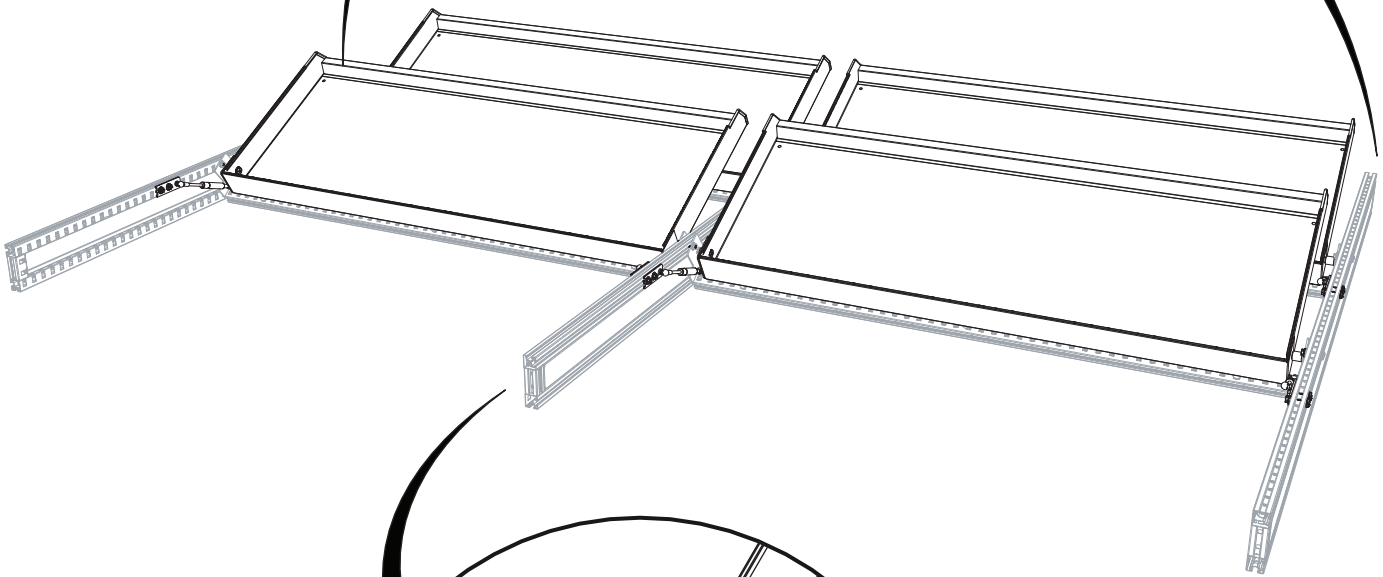
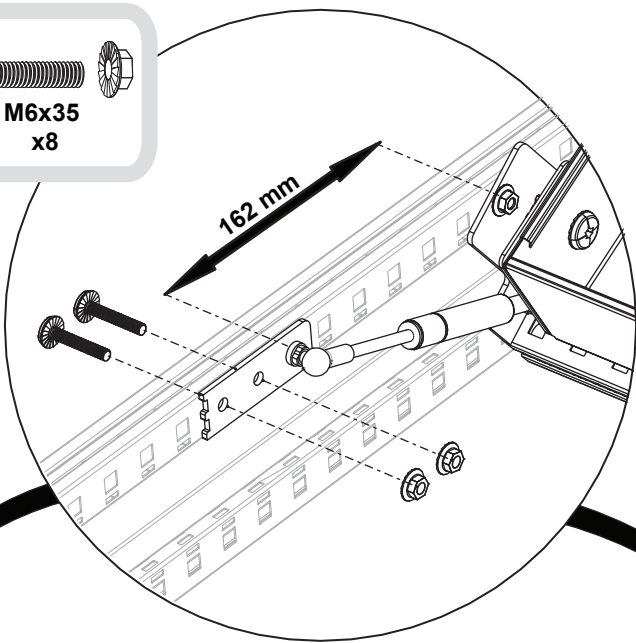
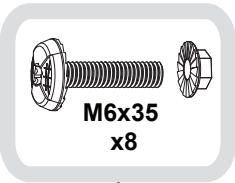


M8x30
x8

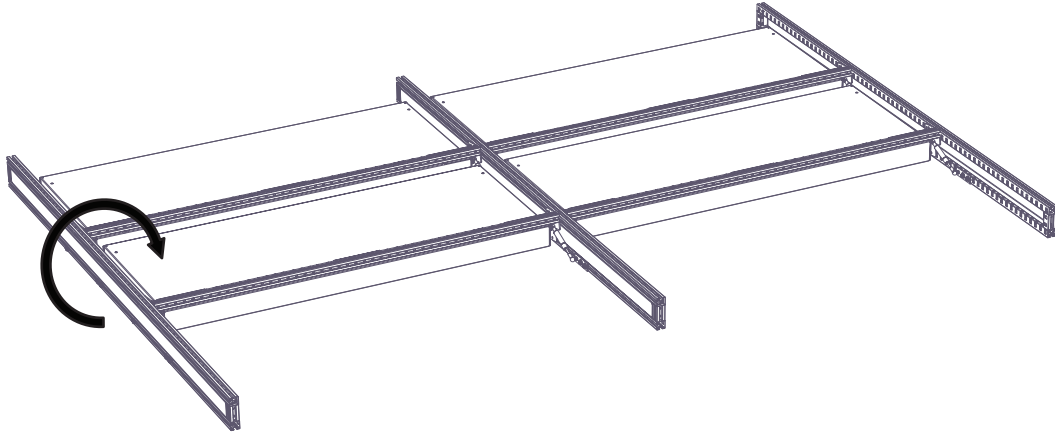


x8

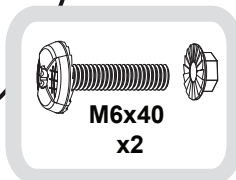
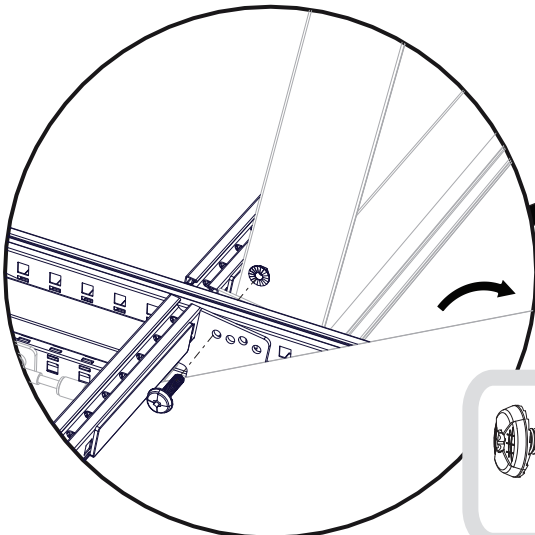
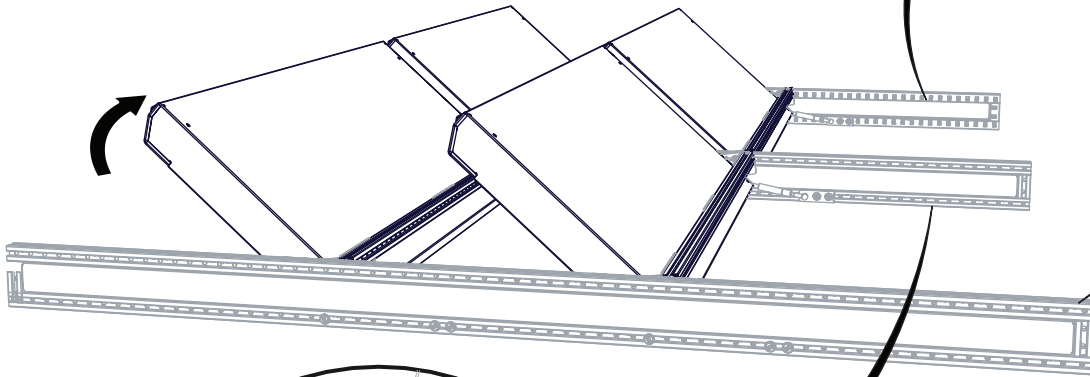
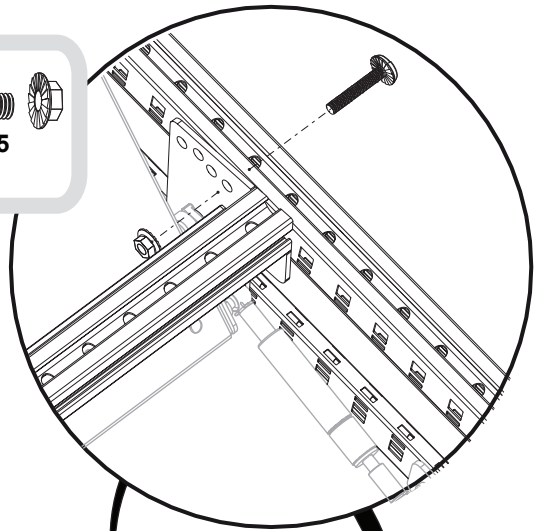
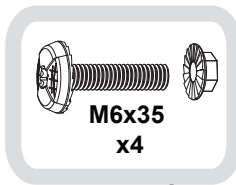
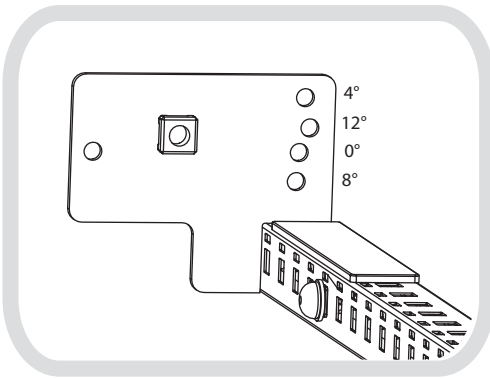




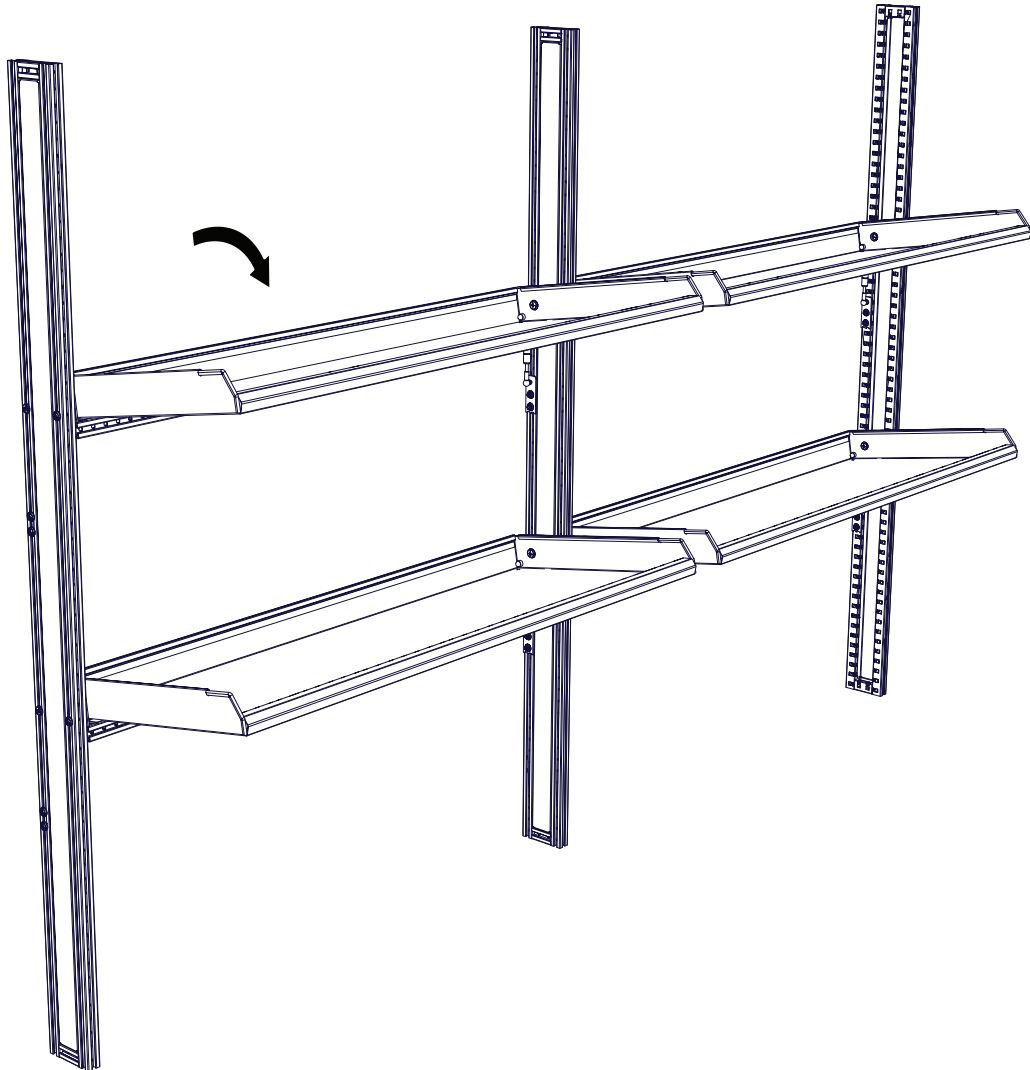
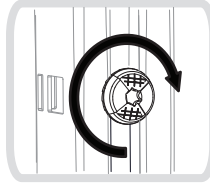
5

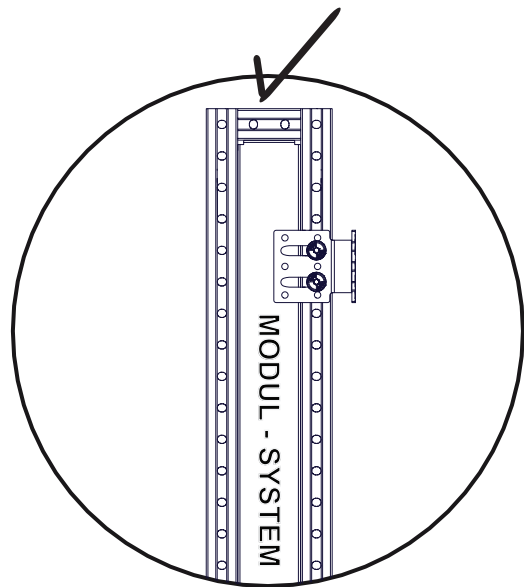
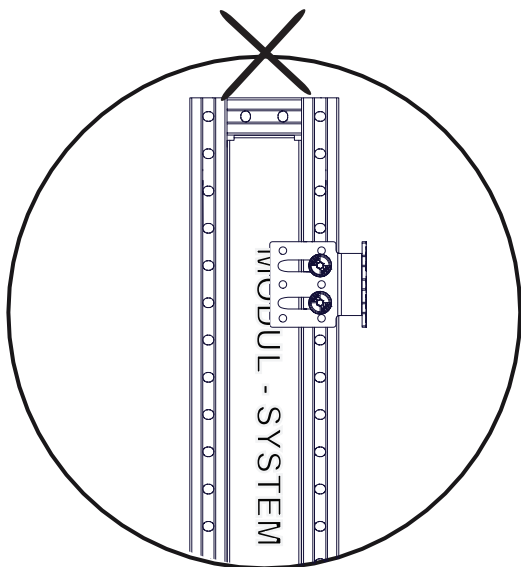
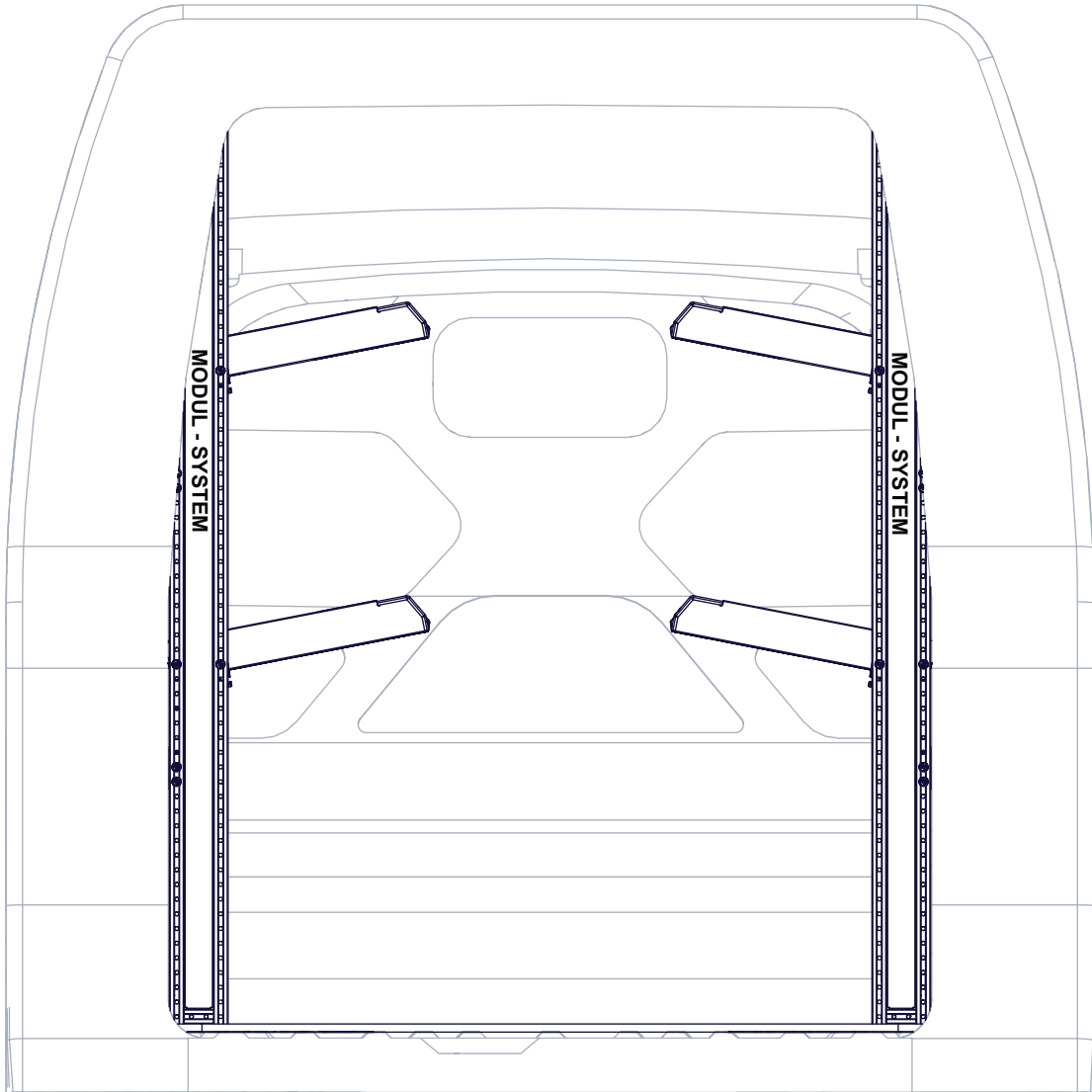


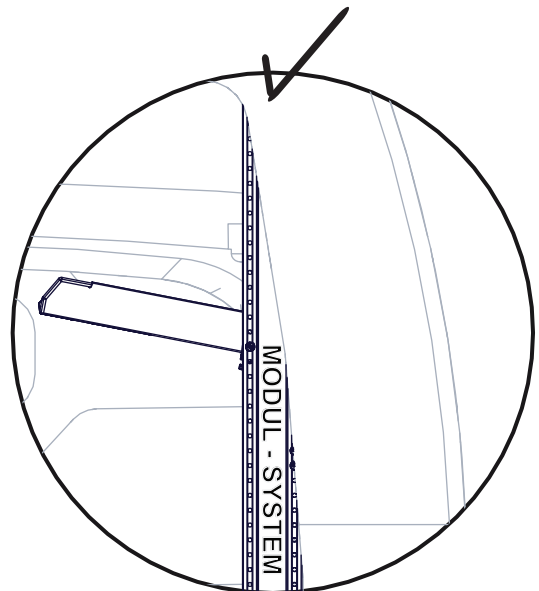
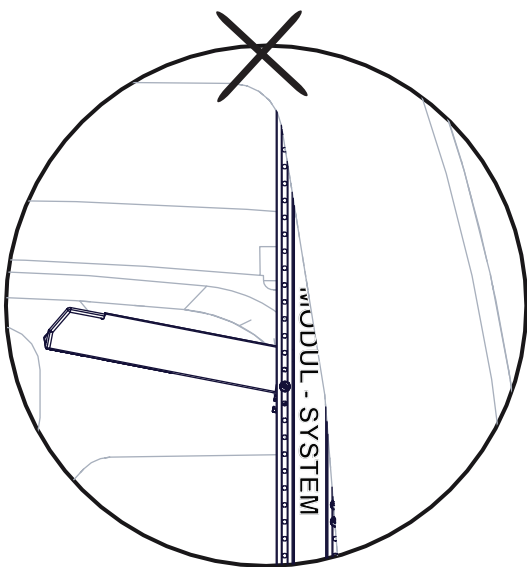
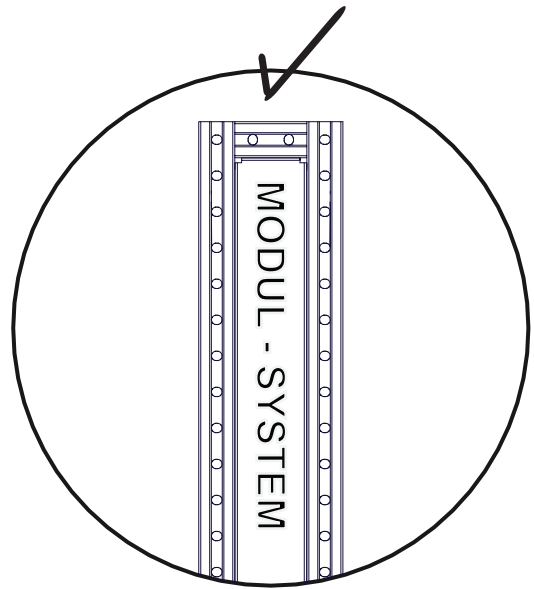
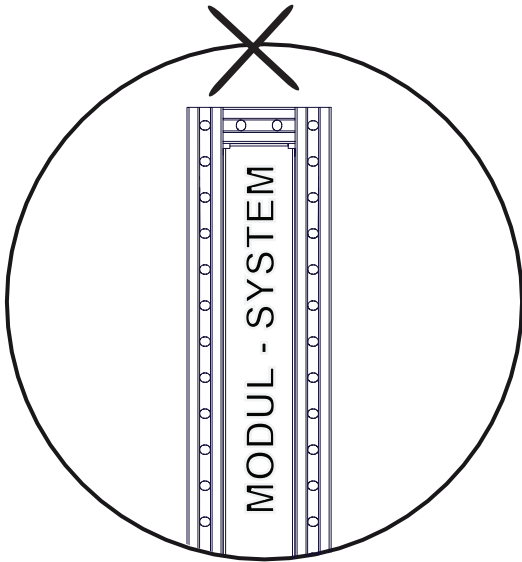
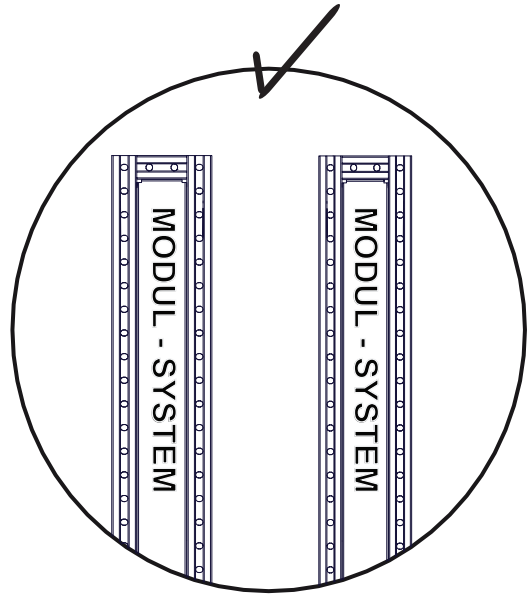
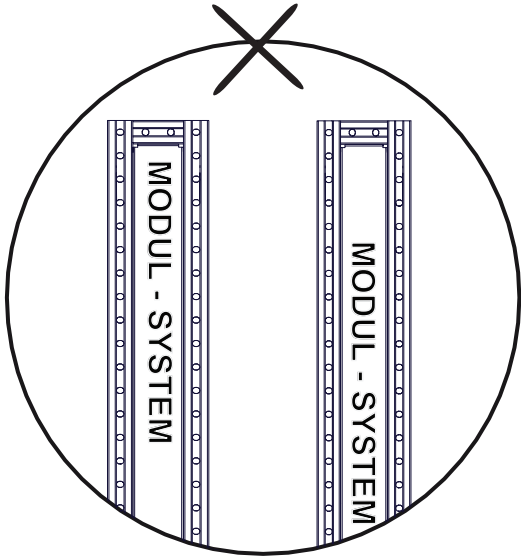
6



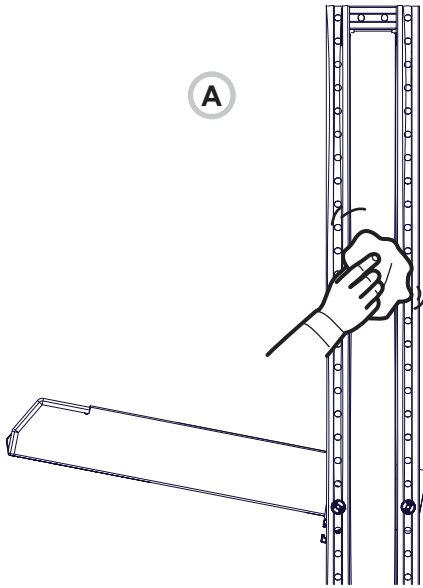
7



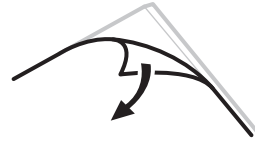




A

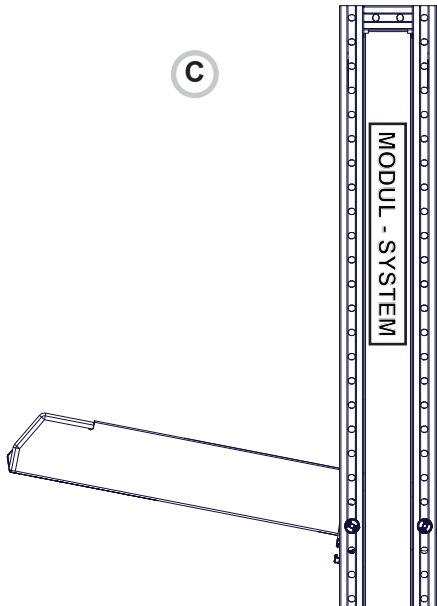


B



MODUL - SYSTEM

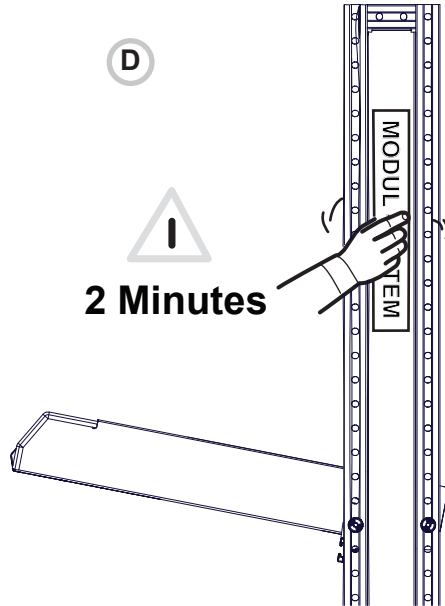
C



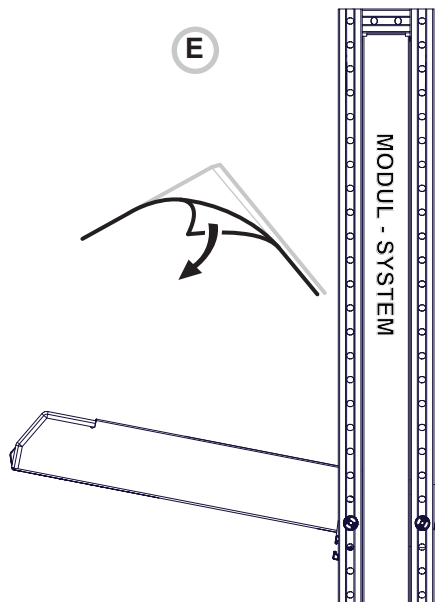
D



2 Minutes

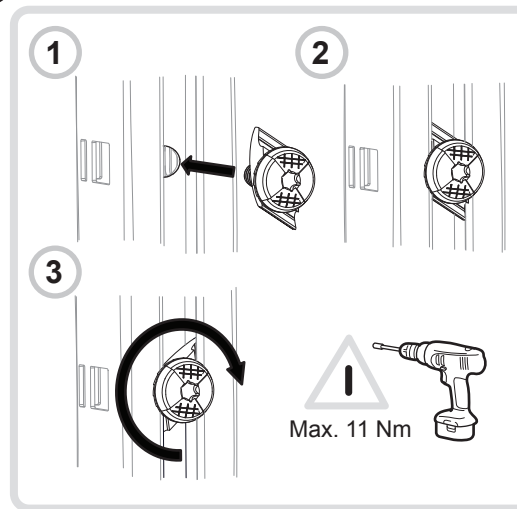
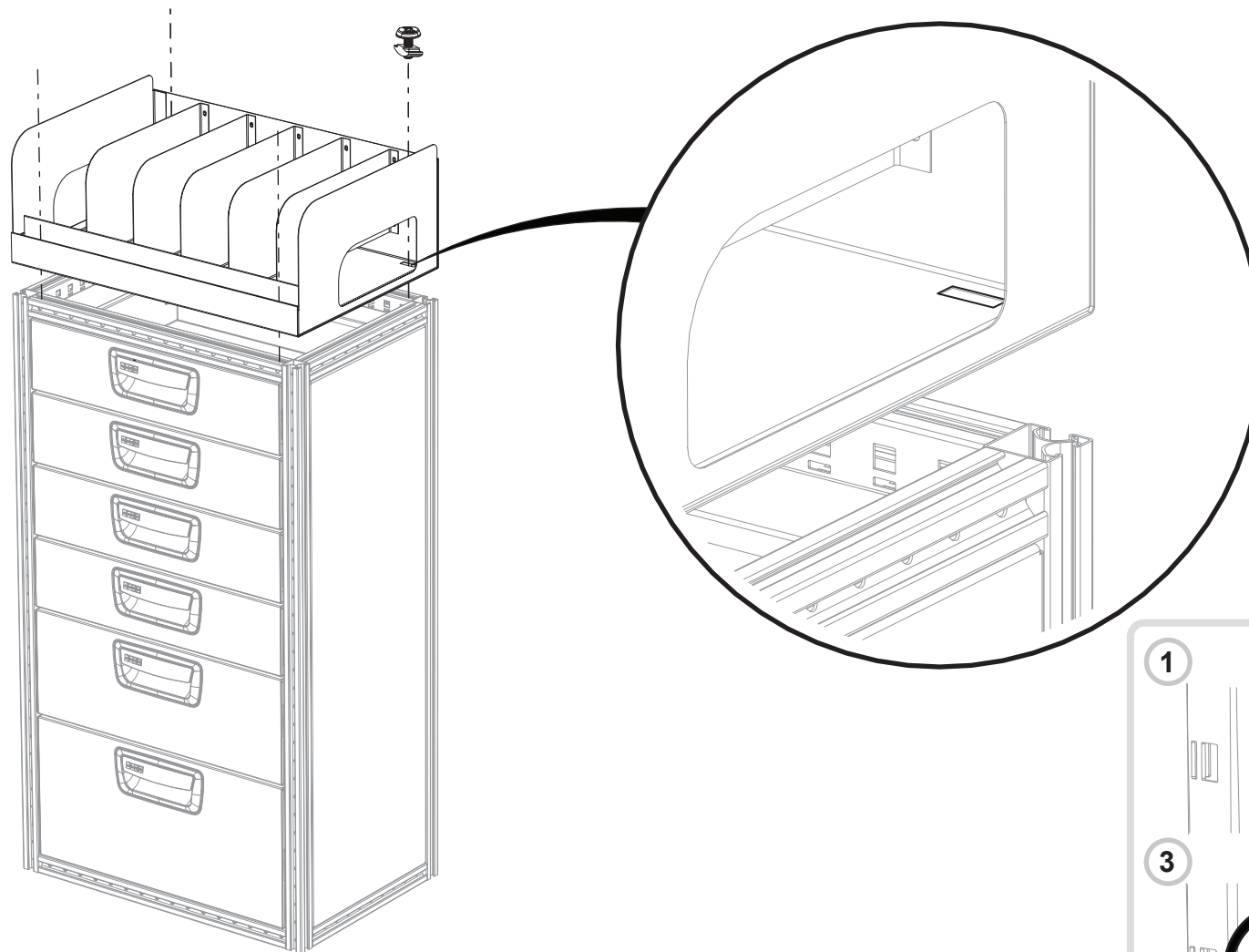


E





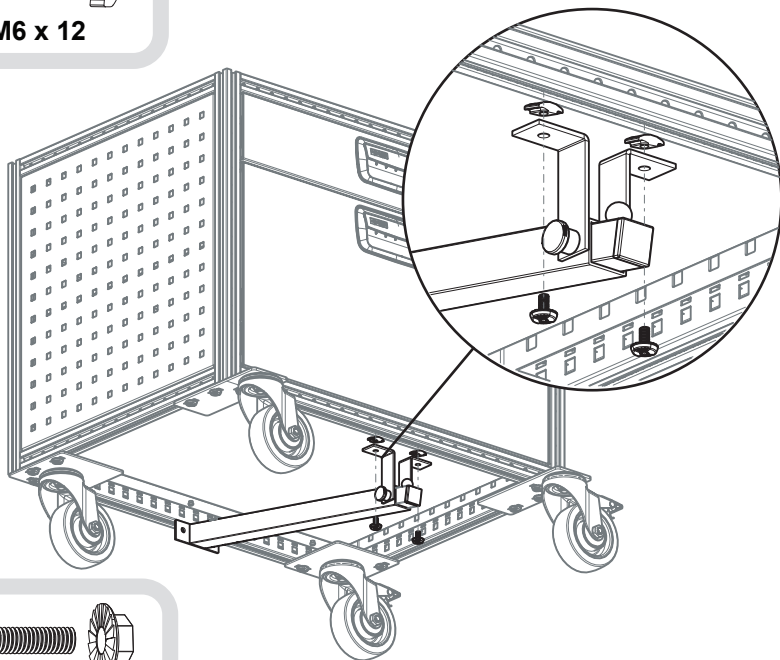
4x (M6 x 16)



1



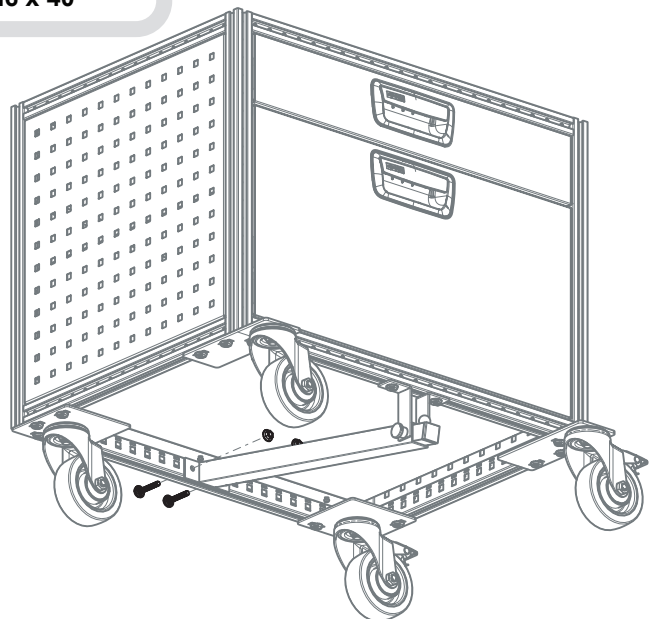
M6 x 12



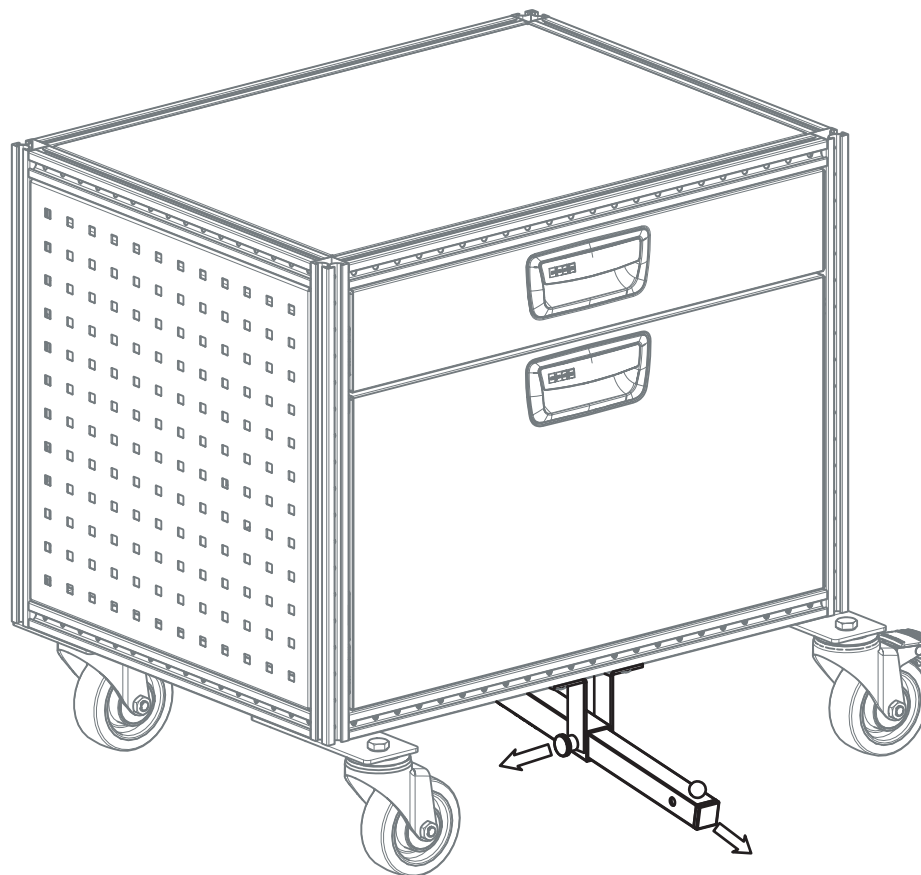
2

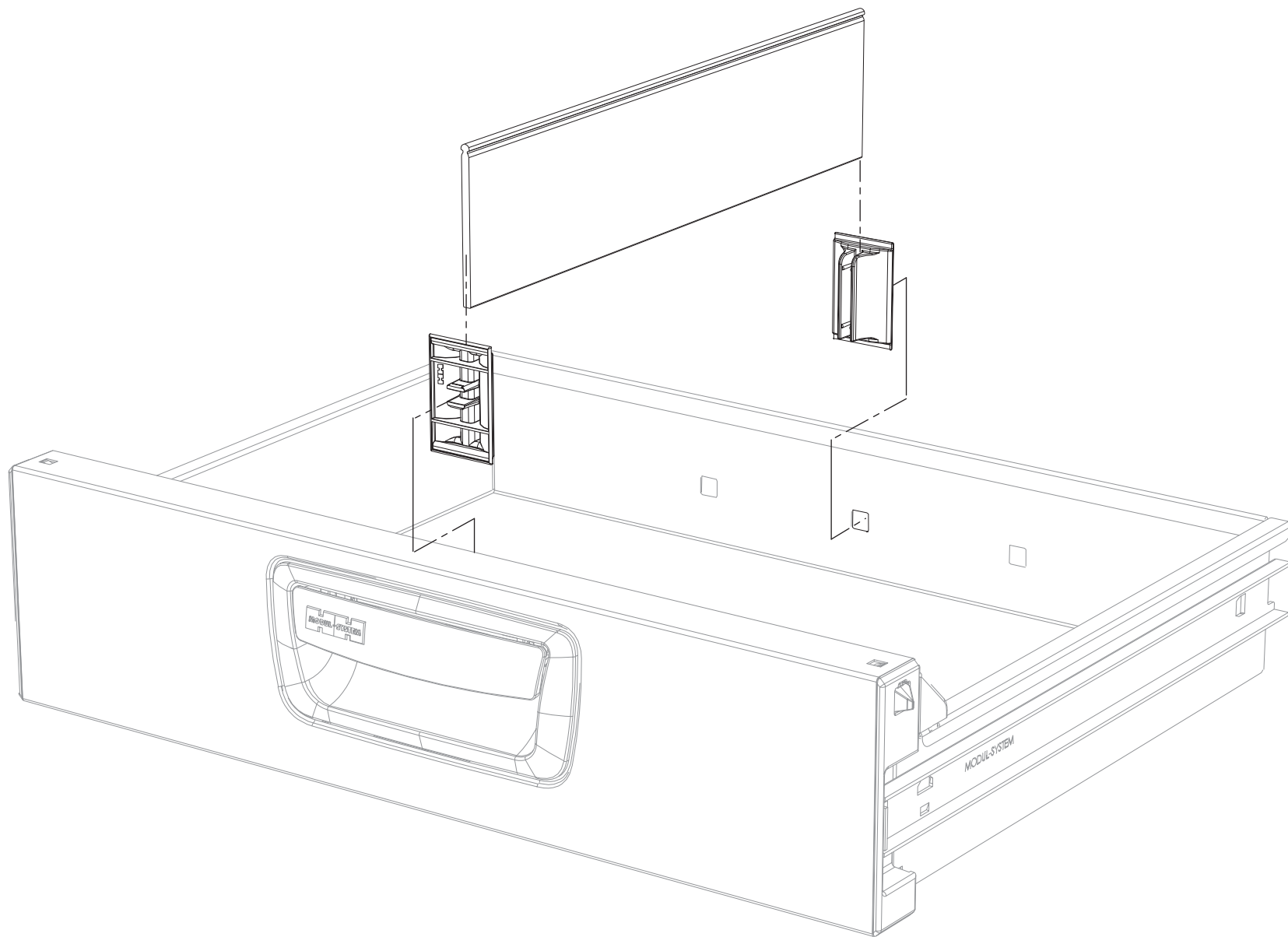


M6 x 40

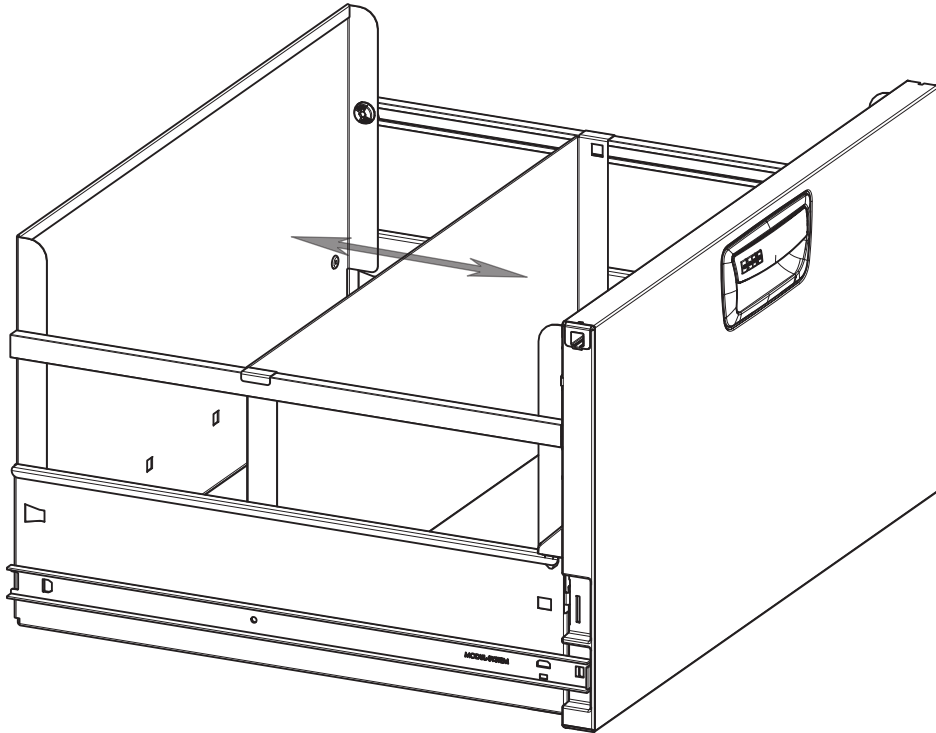
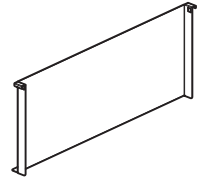


3

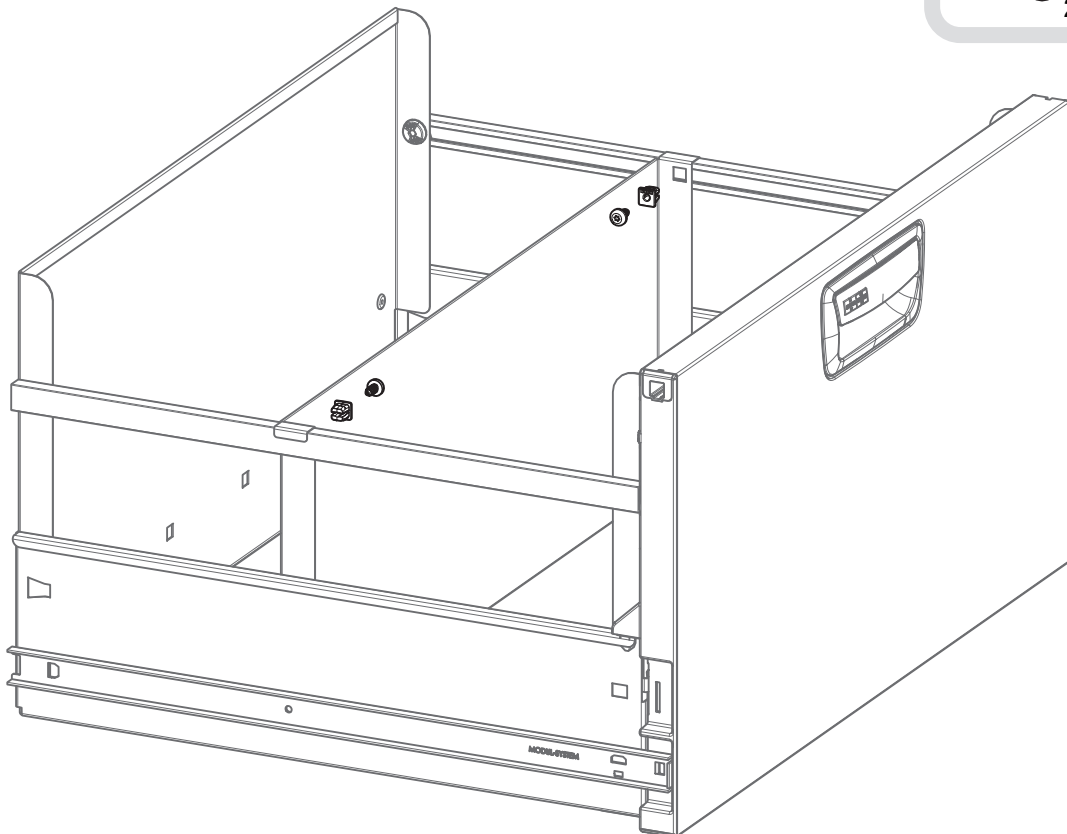




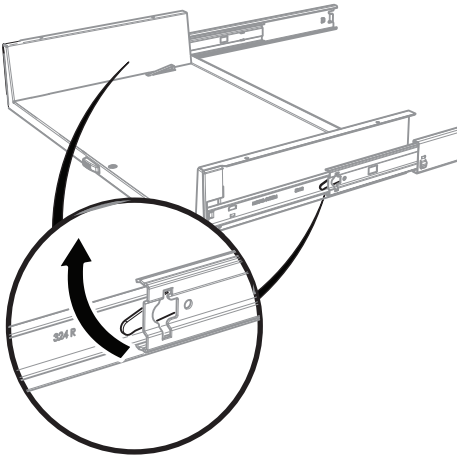
1



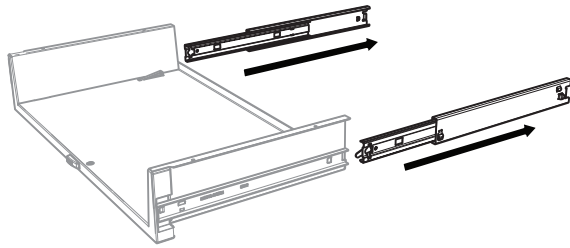
2



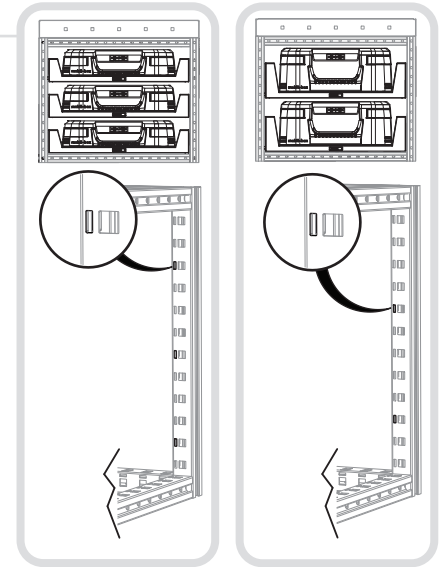
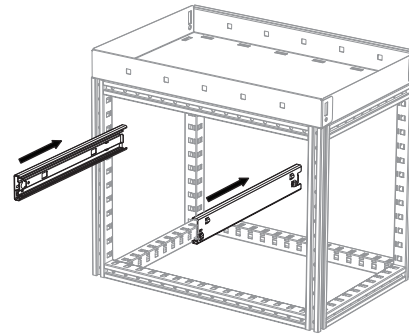
1



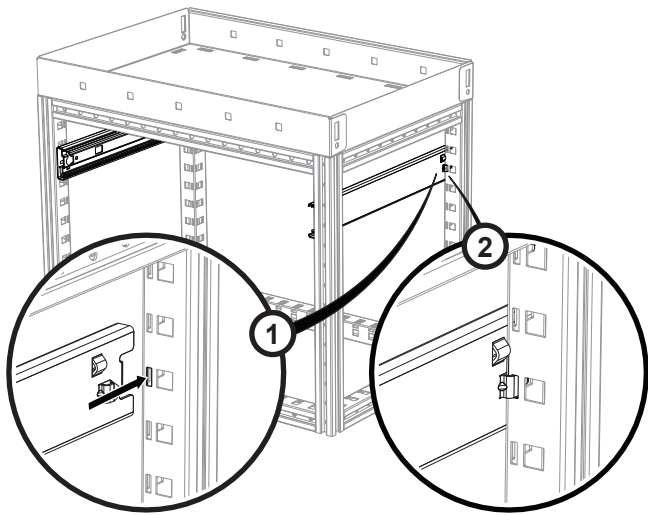
2



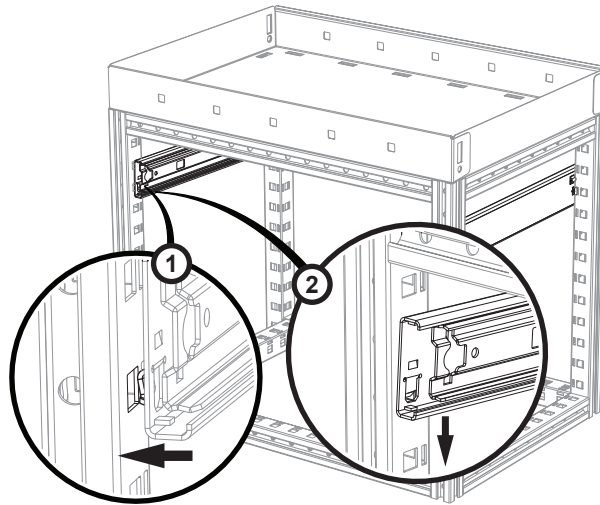
3



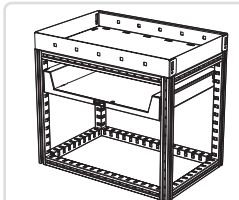
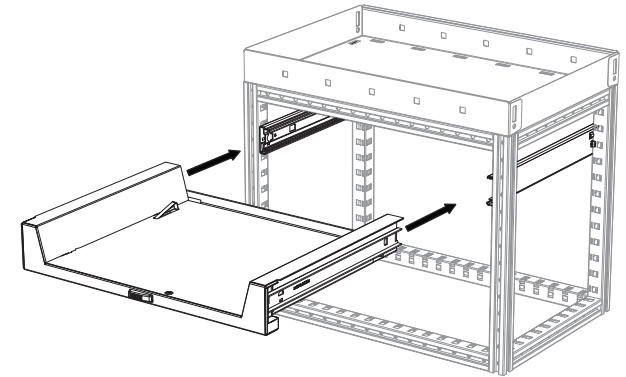
4

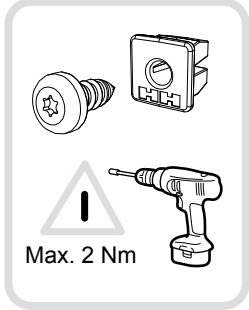
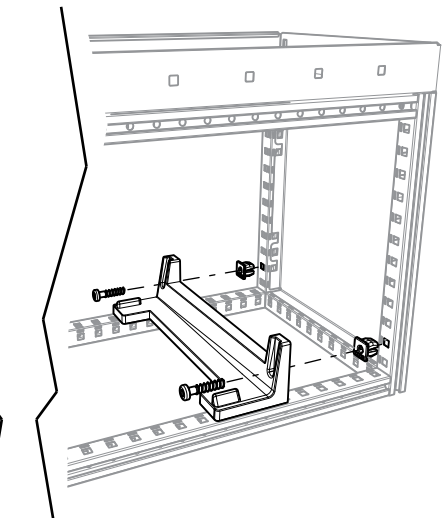
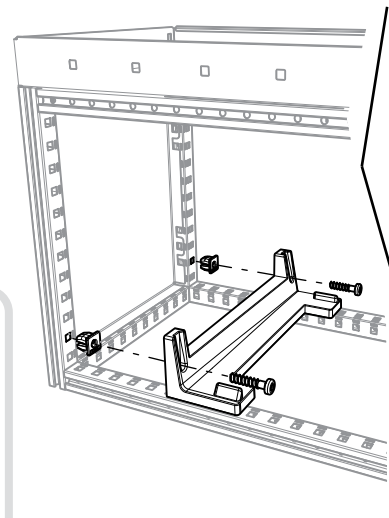
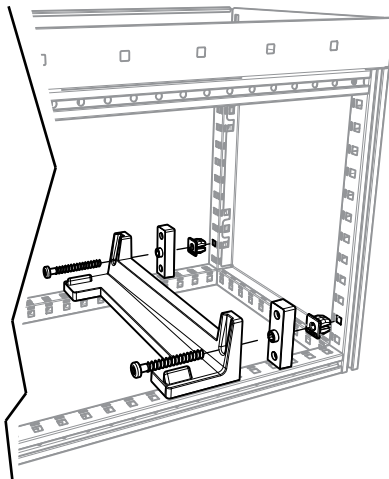
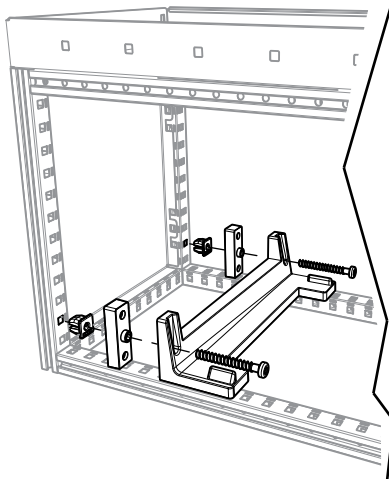
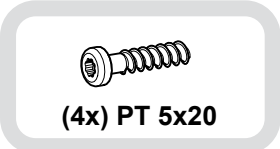
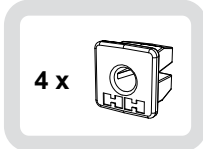
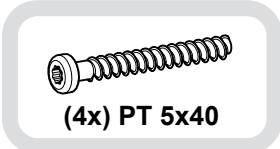
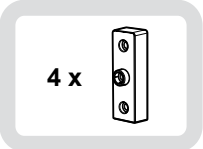
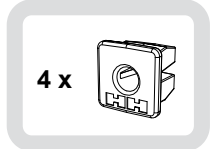
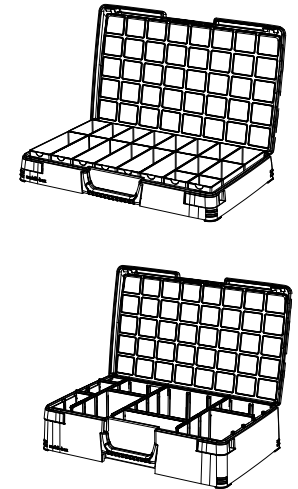
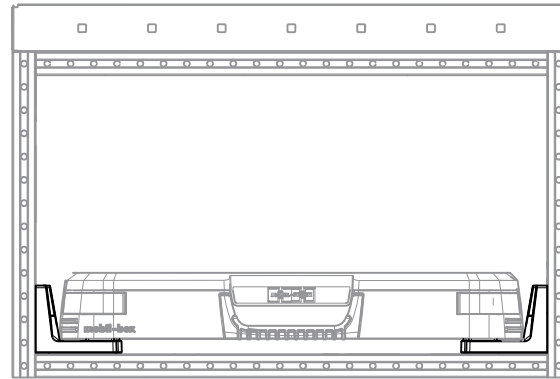
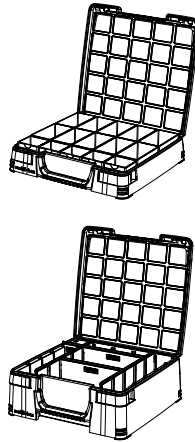
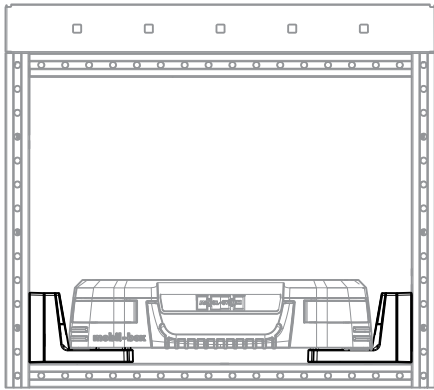


5

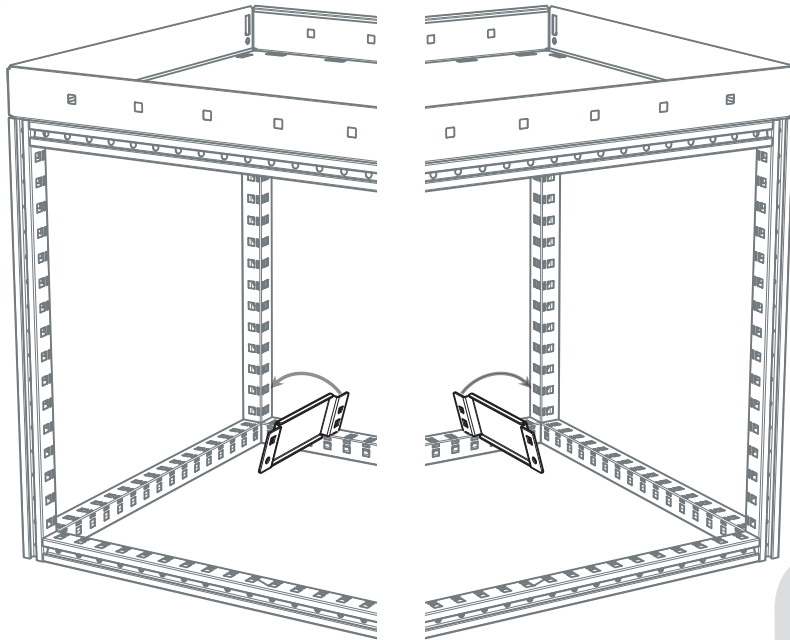


6

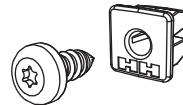
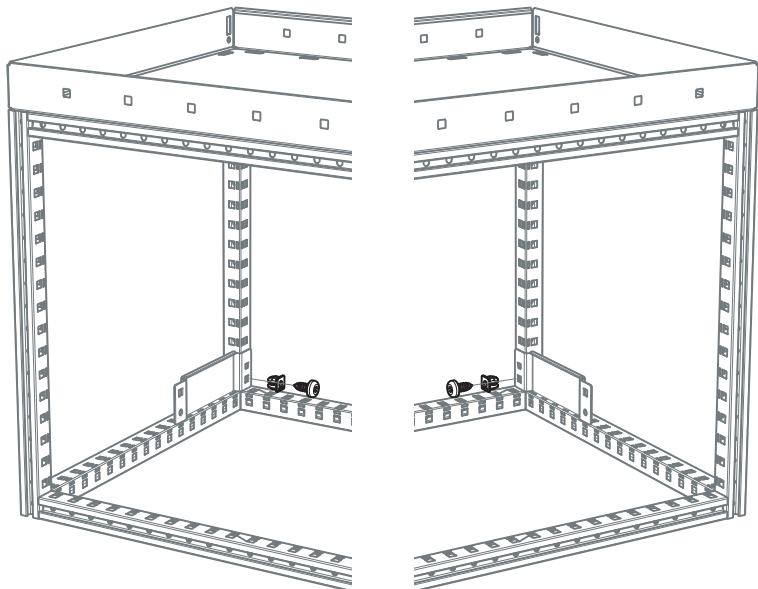




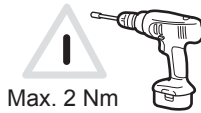
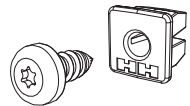
1



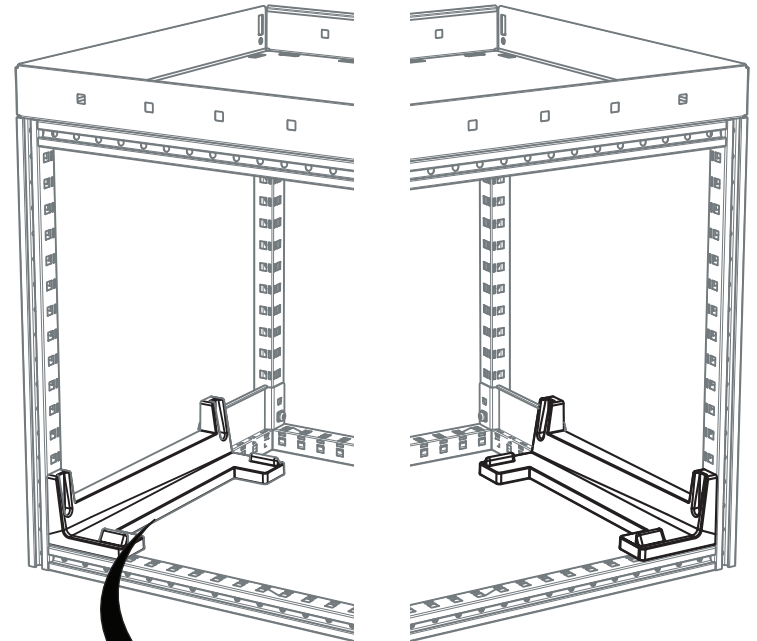
2



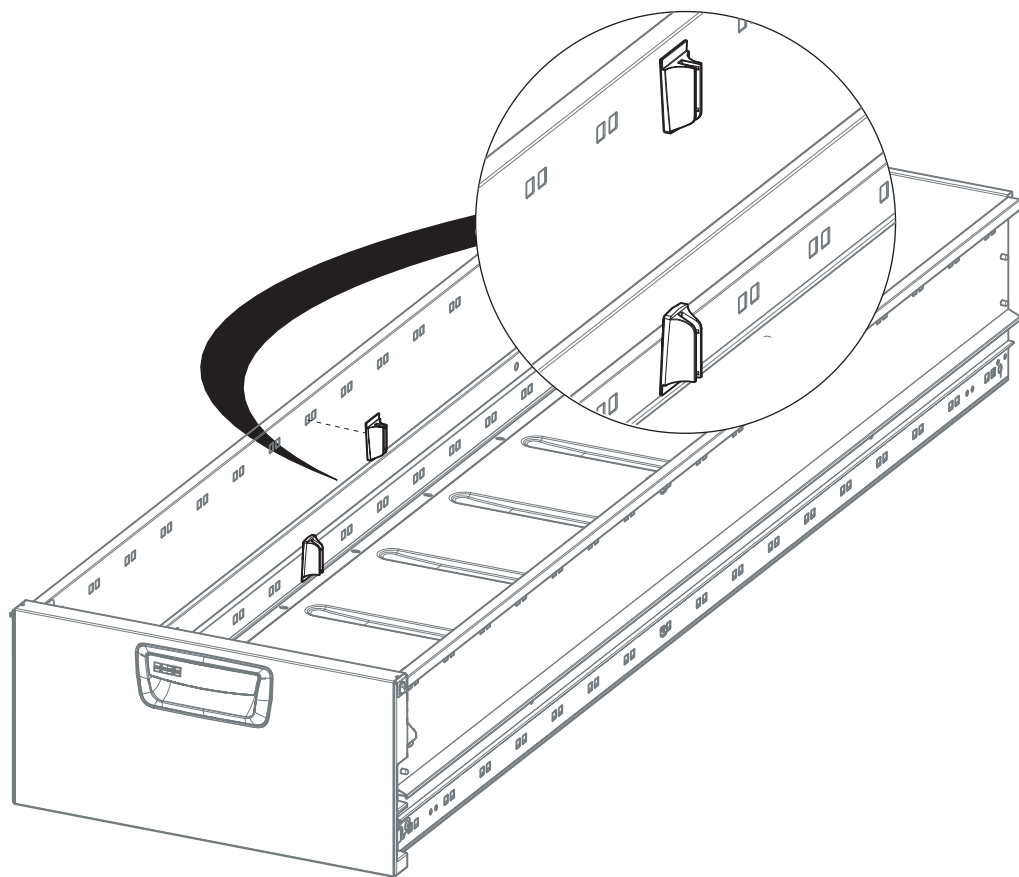
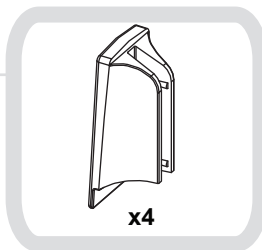
2x



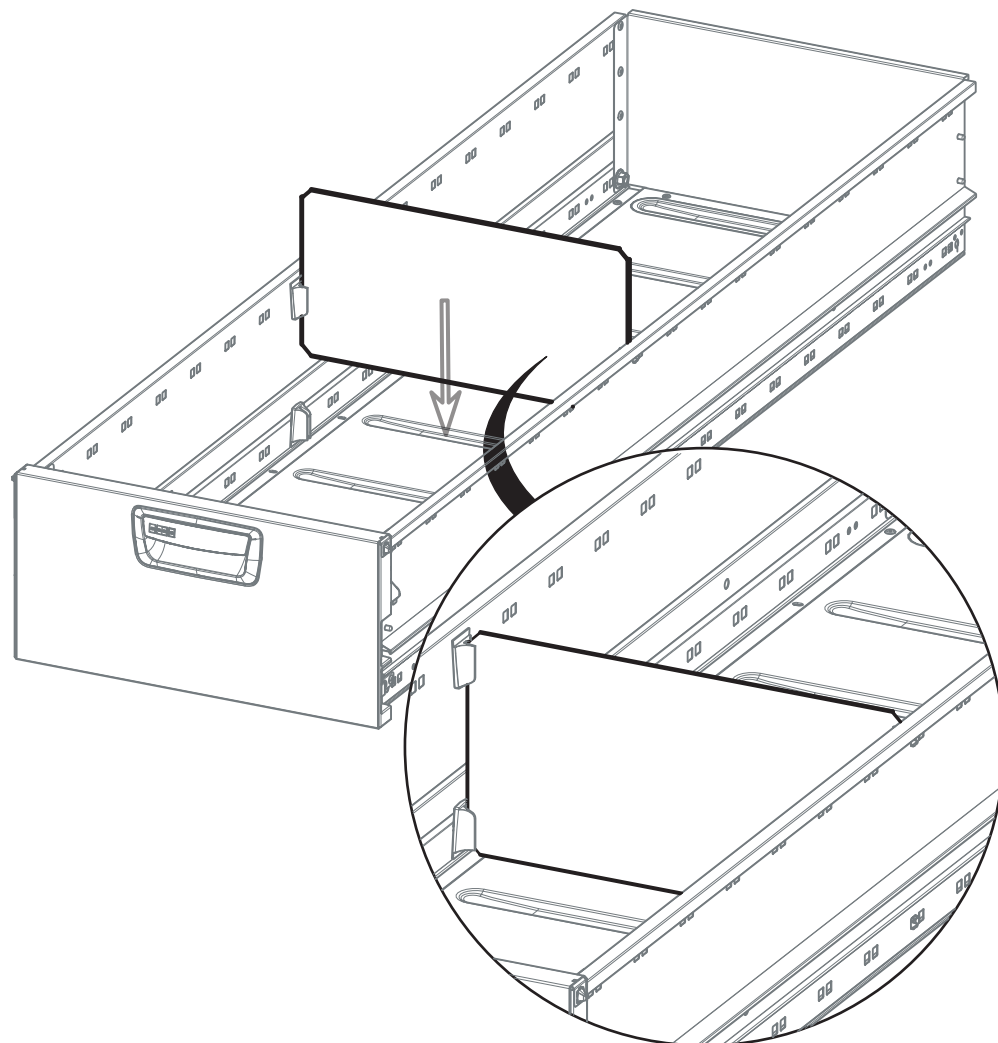
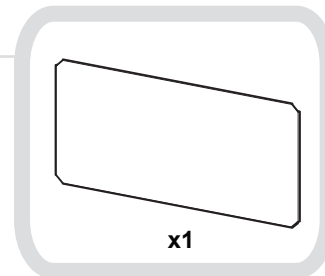
Max. 2 Nm



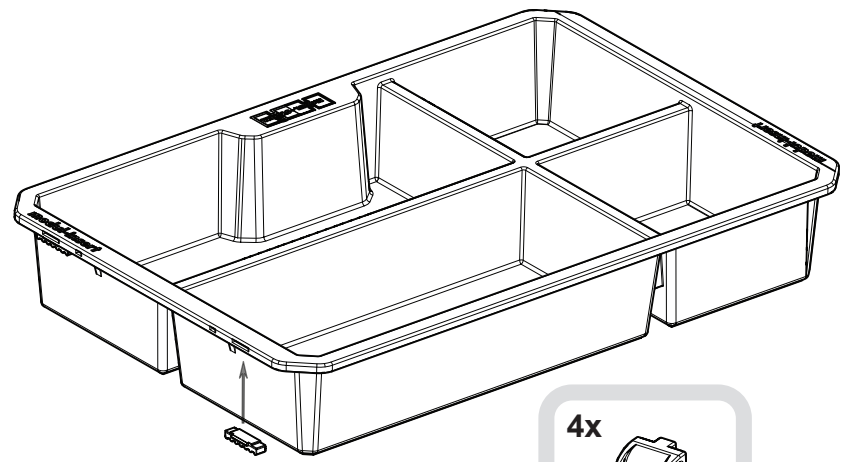
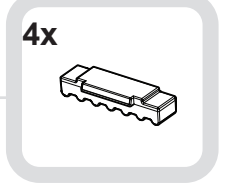
1



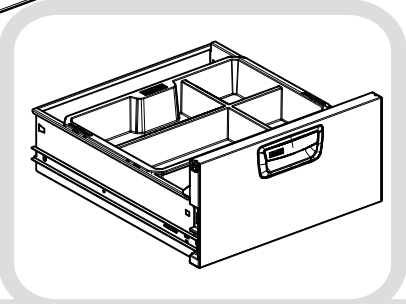
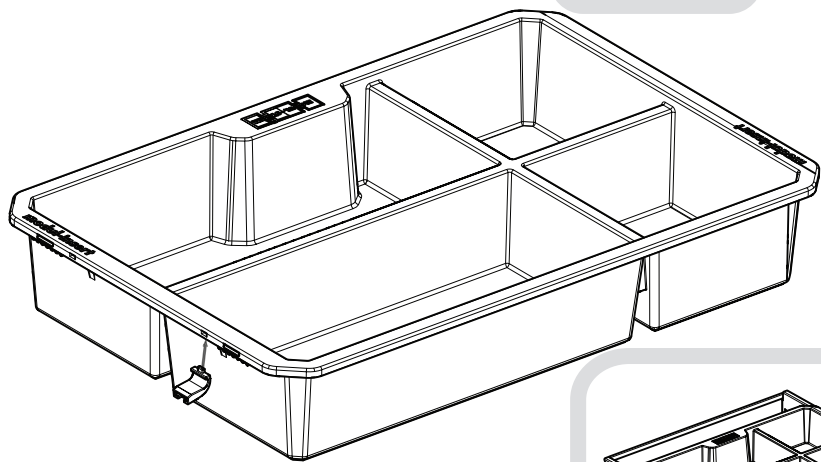
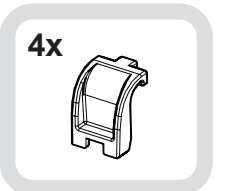
2



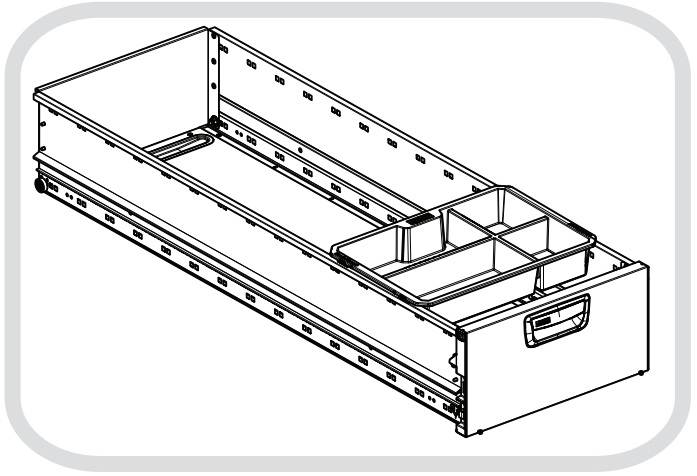
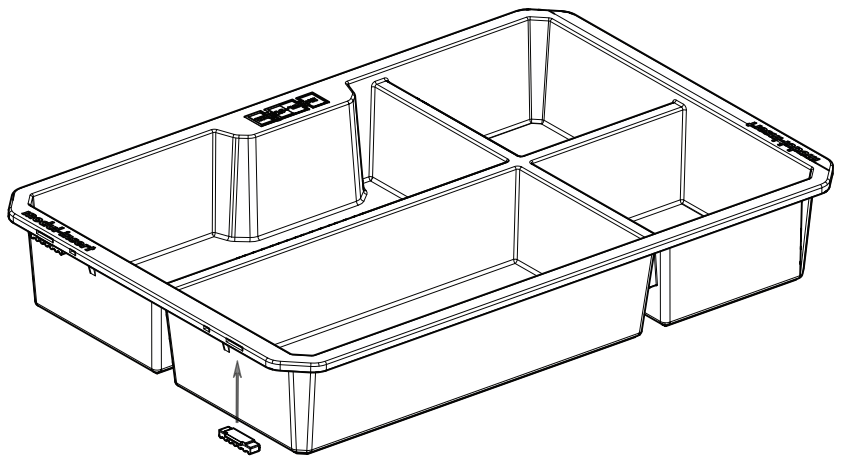
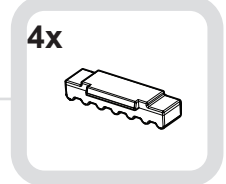
1A

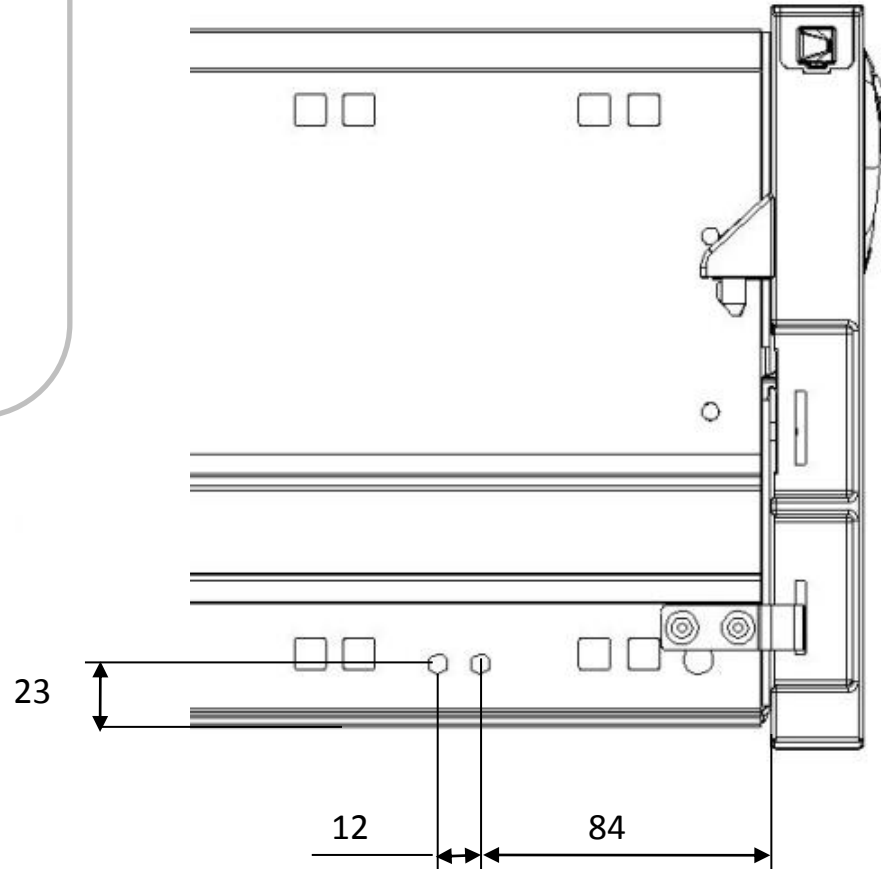
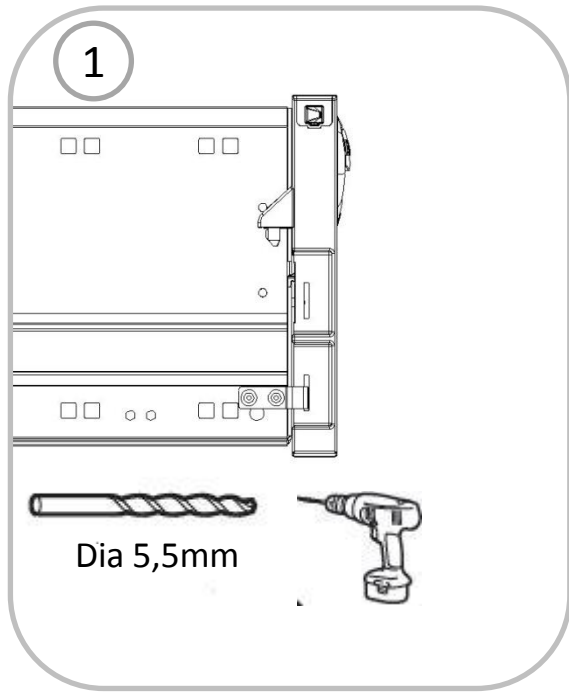


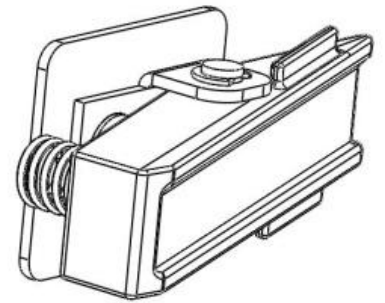
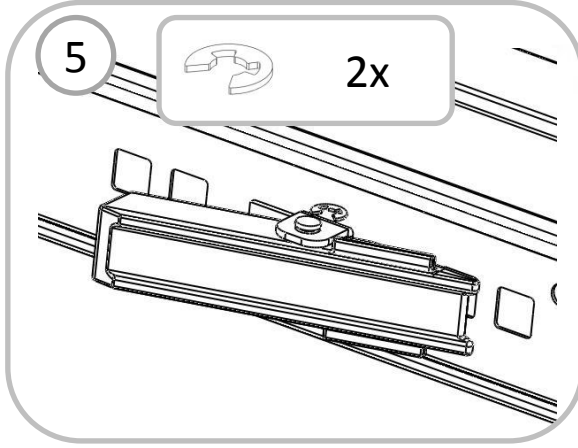
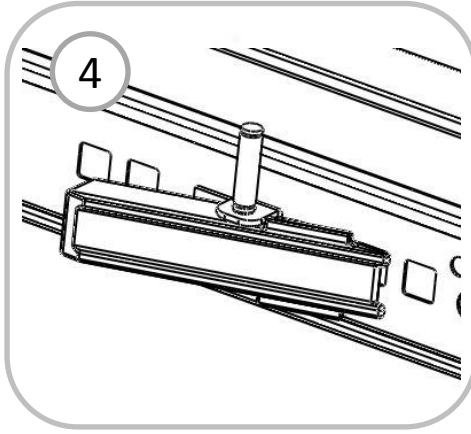
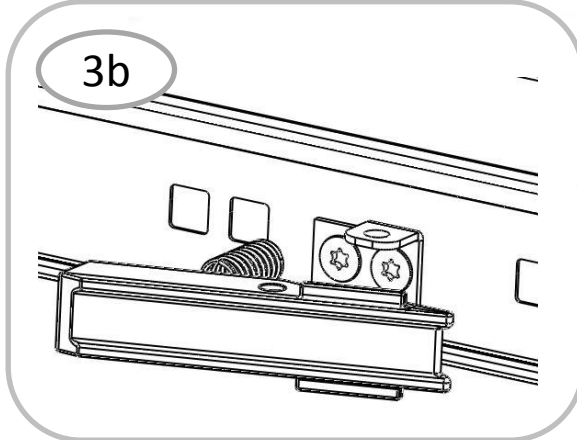
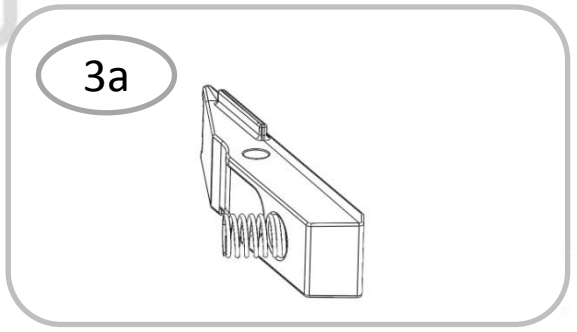
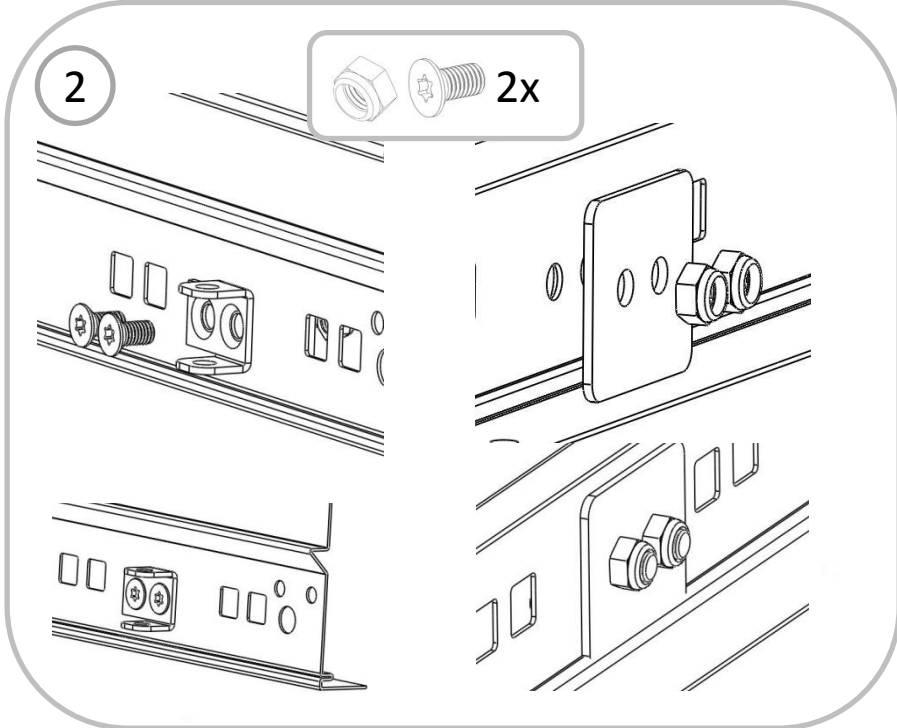
2



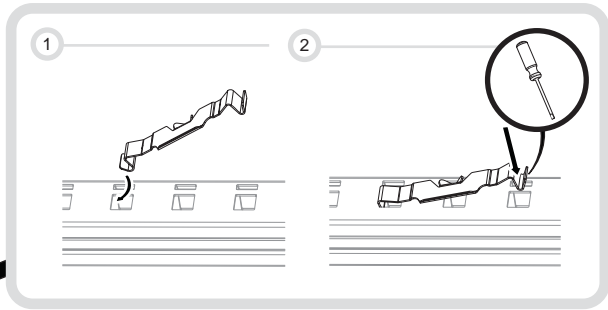
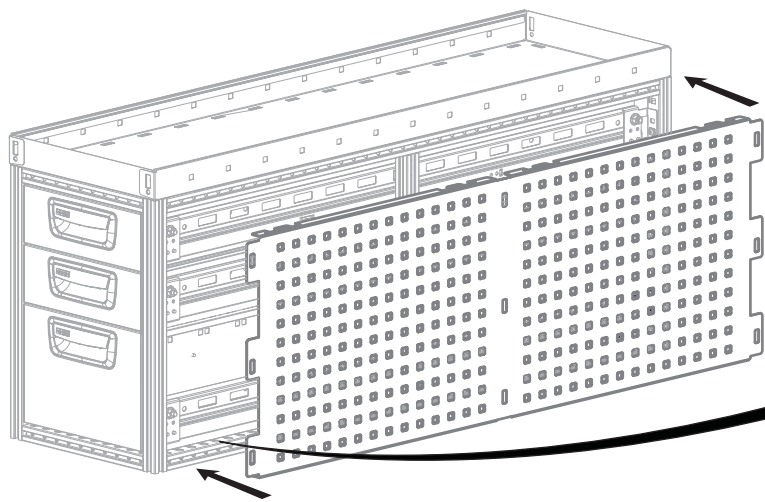
1B



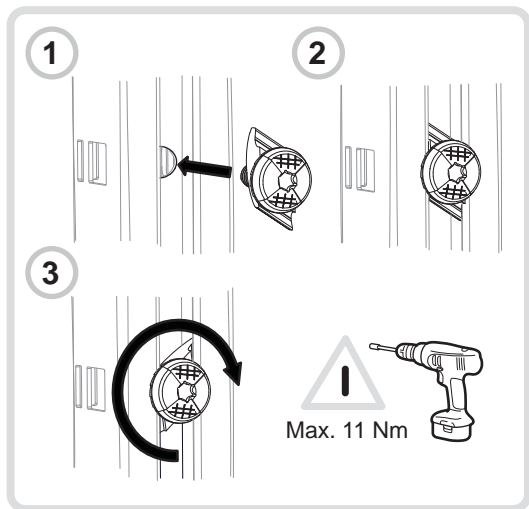
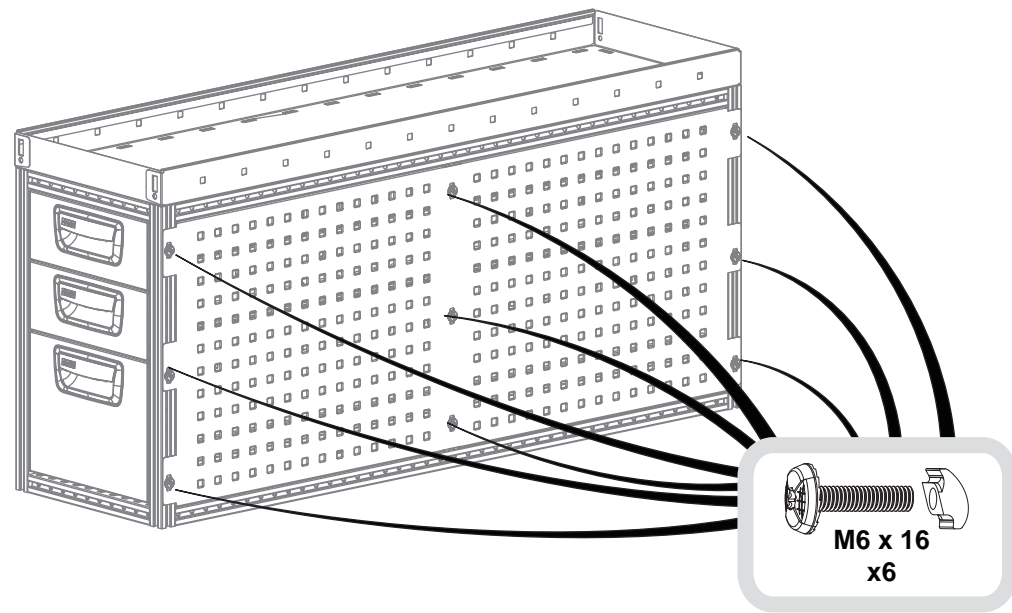


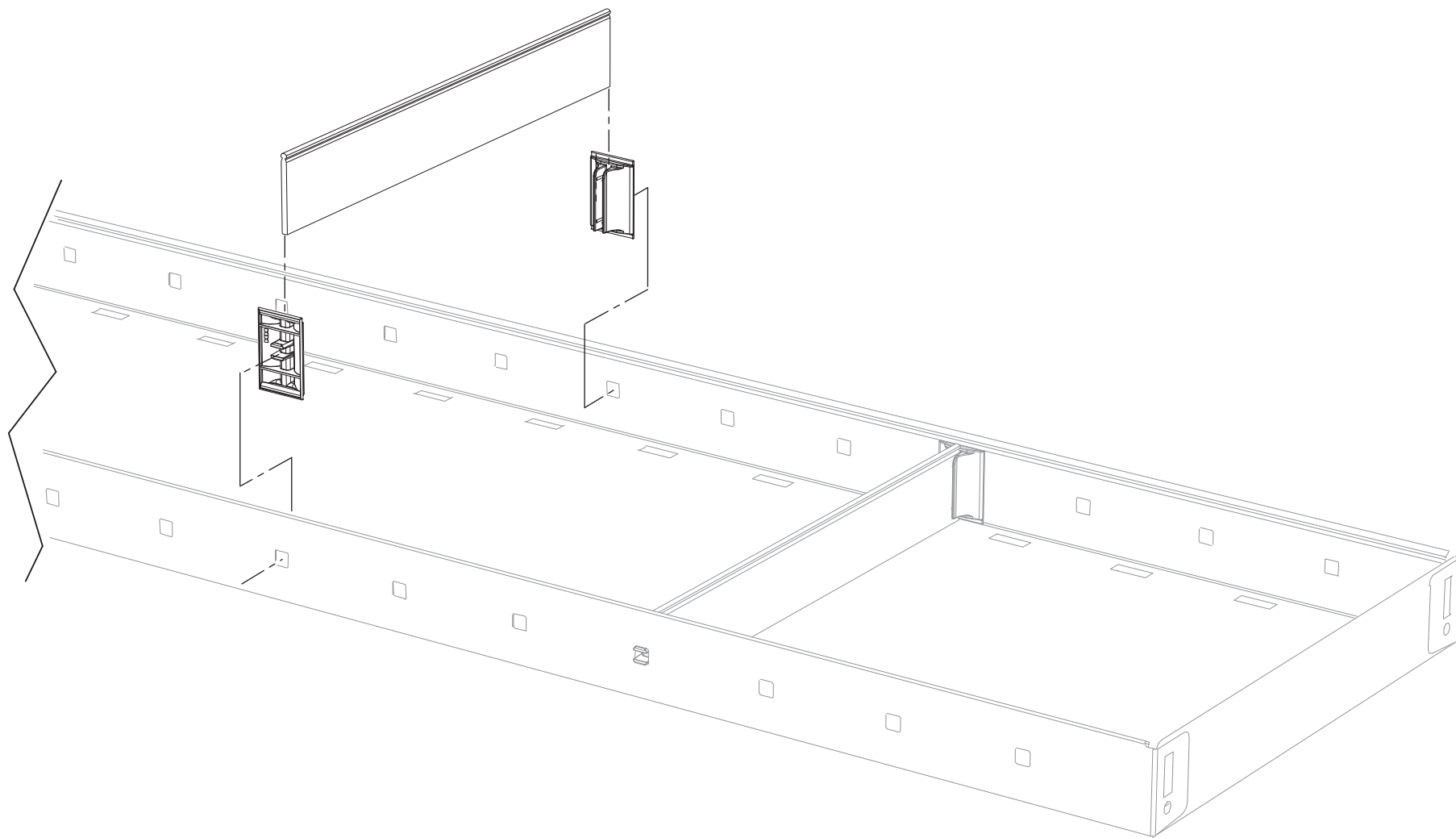


1

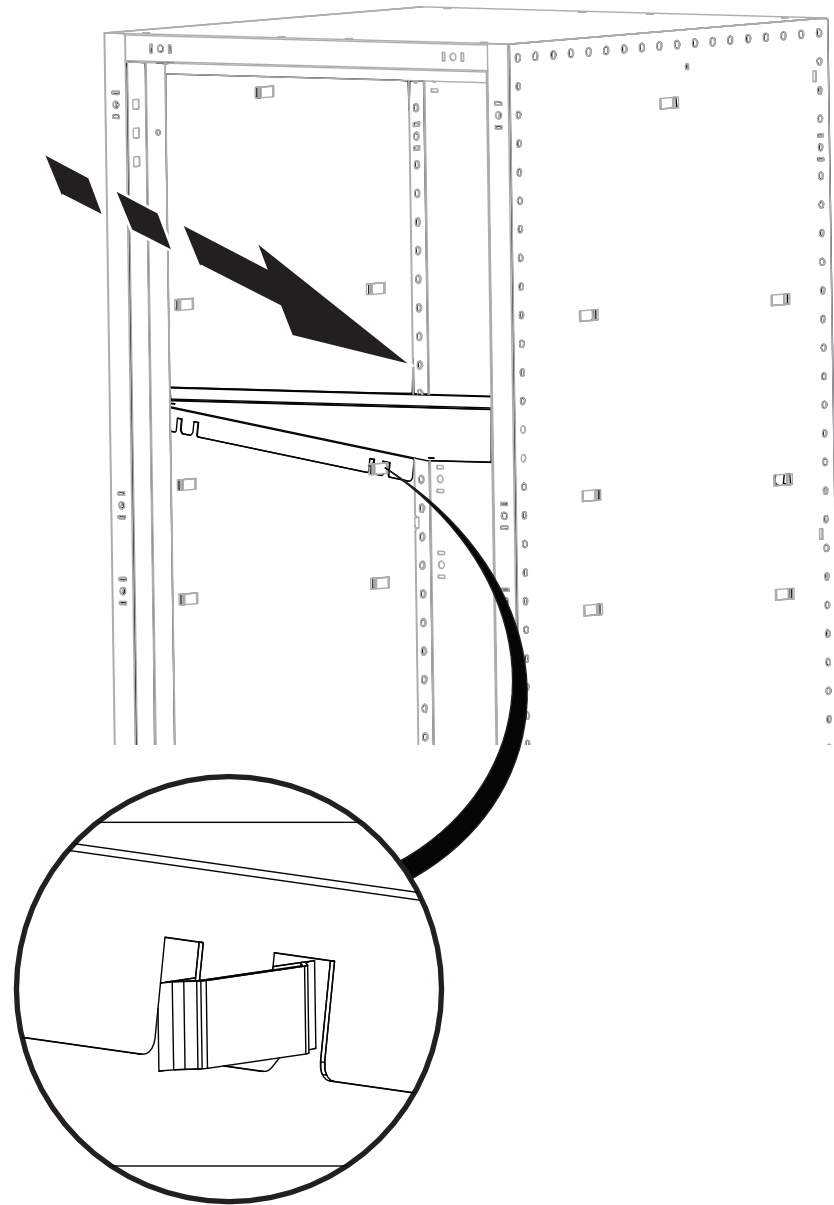


2

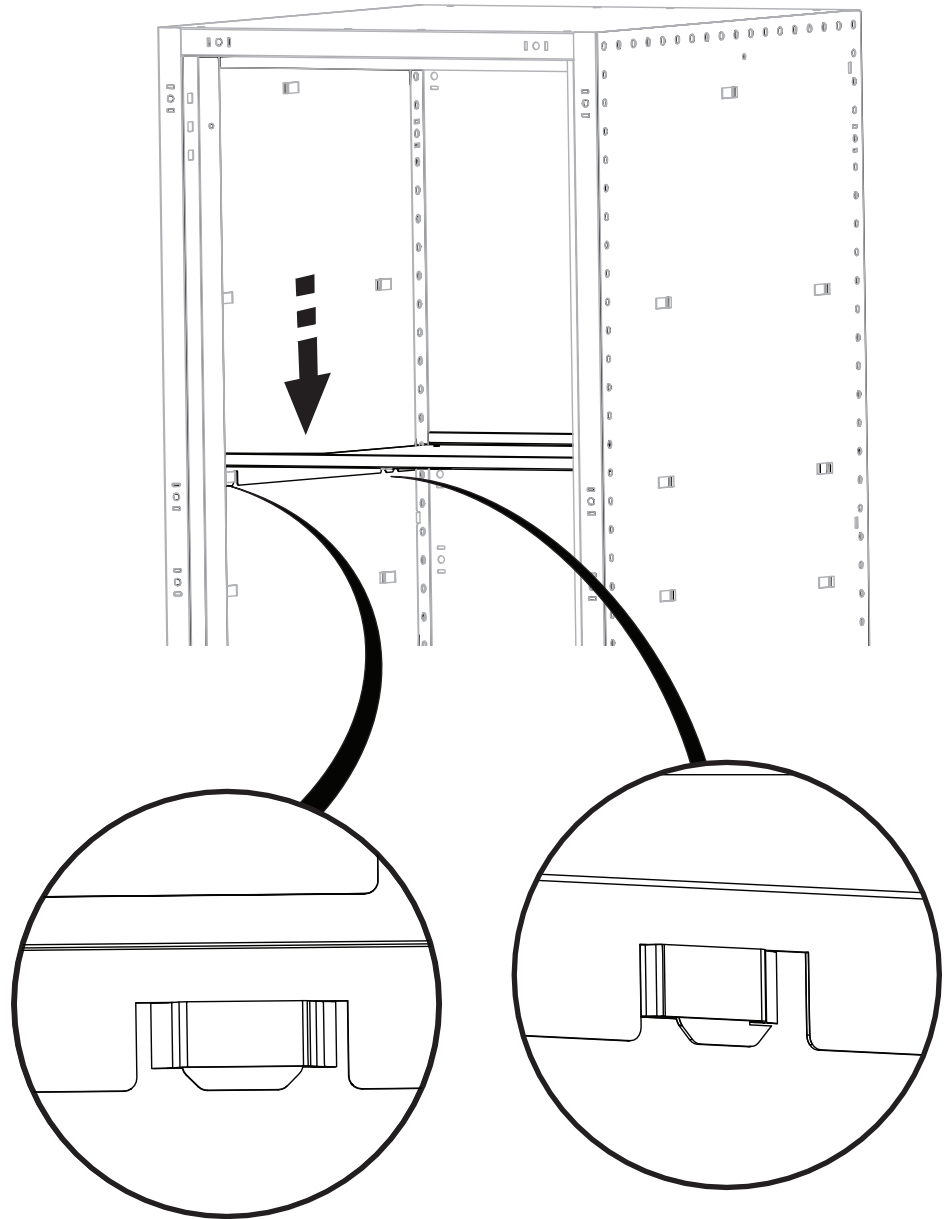


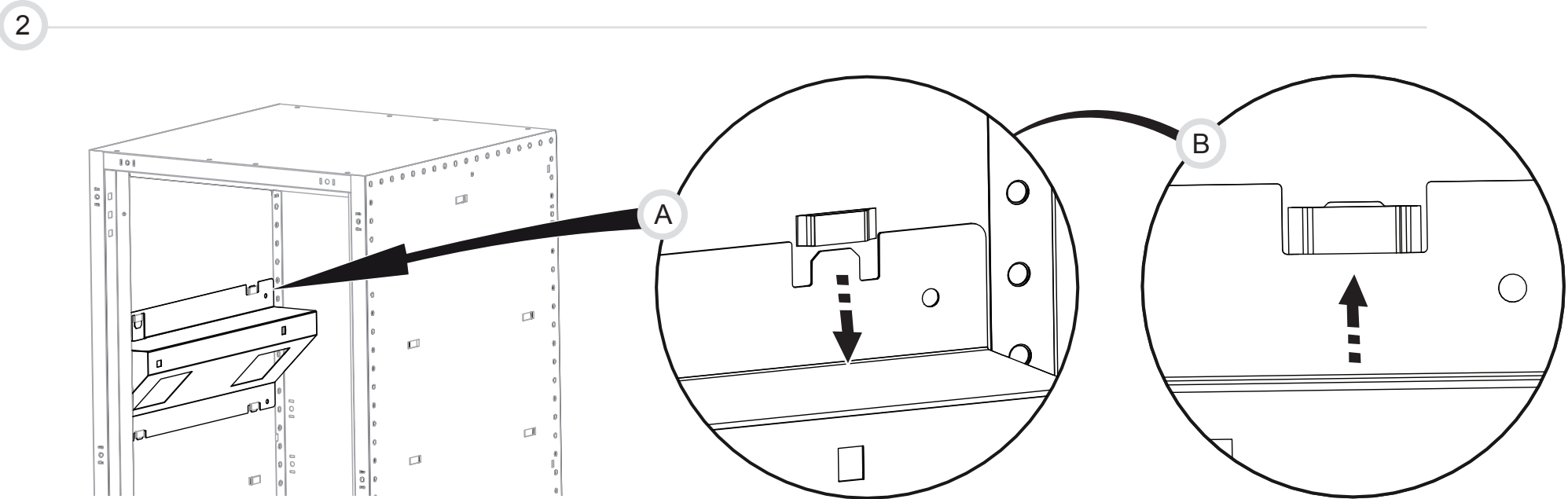
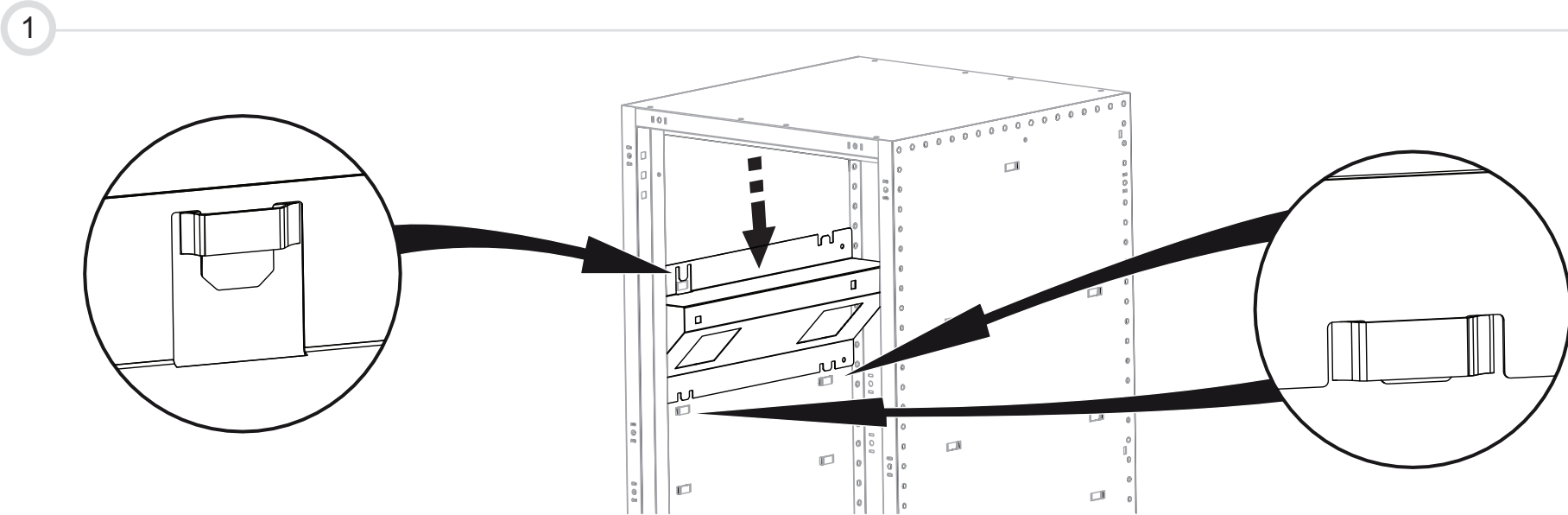


1



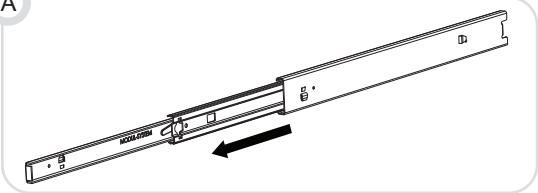
2



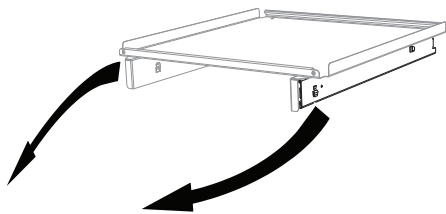
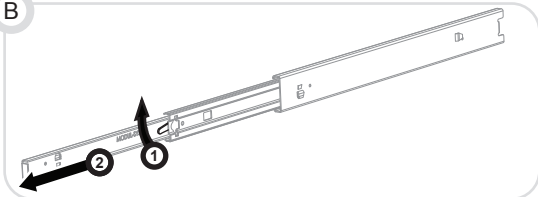


3

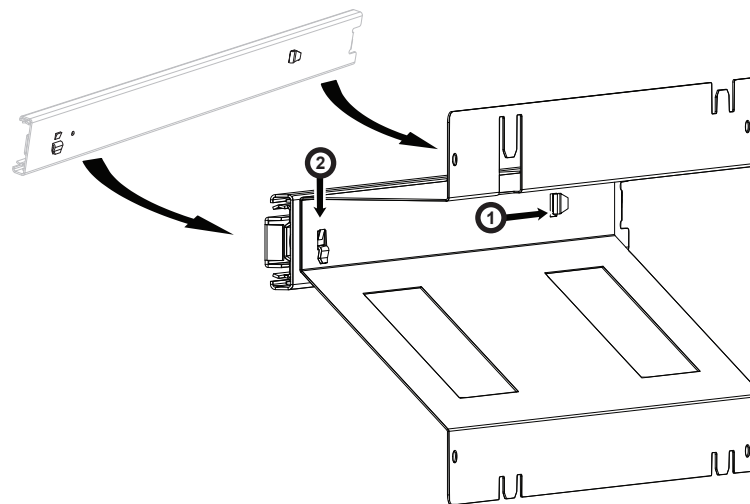
A



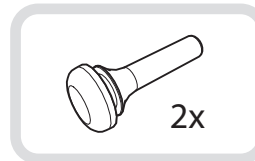
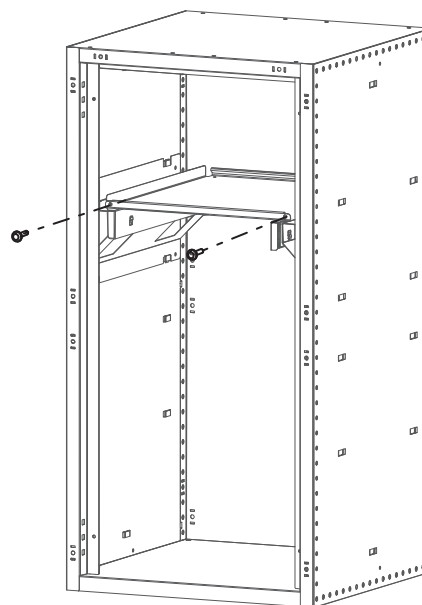
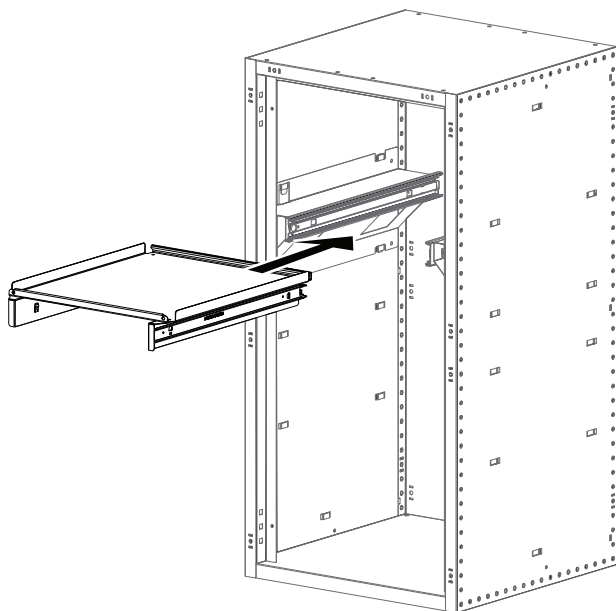
B

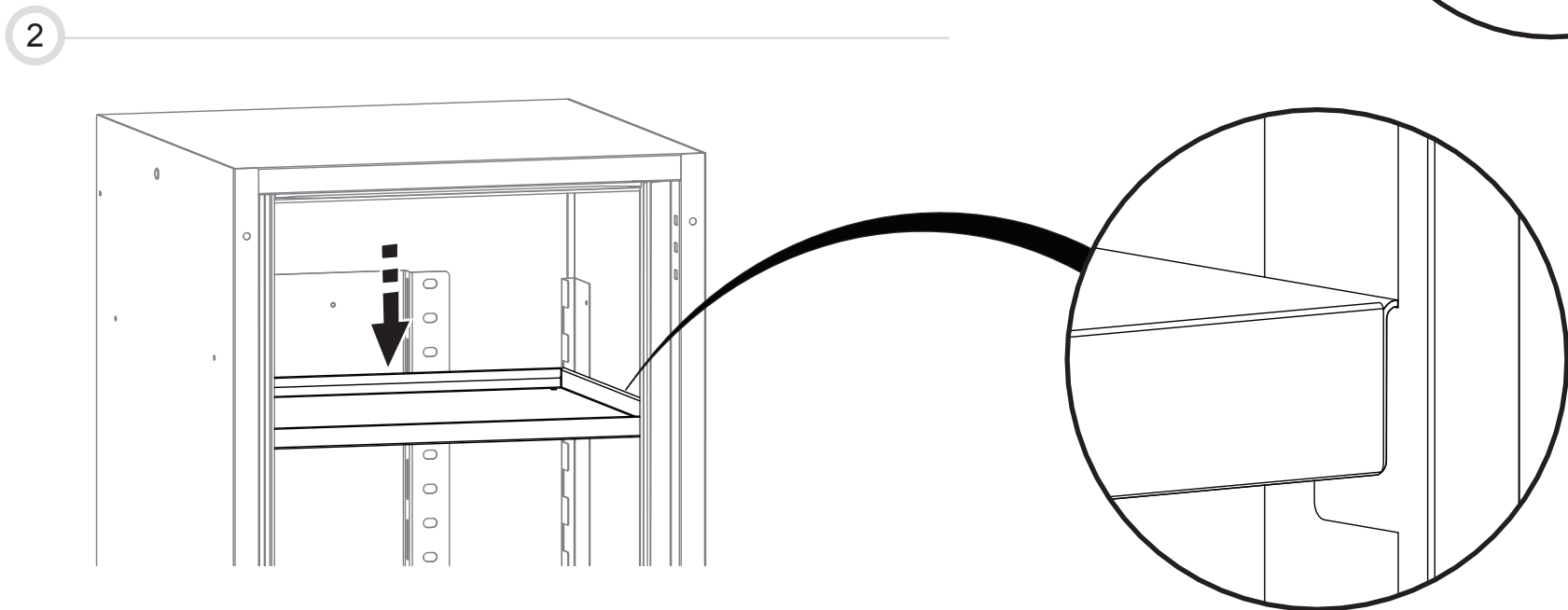
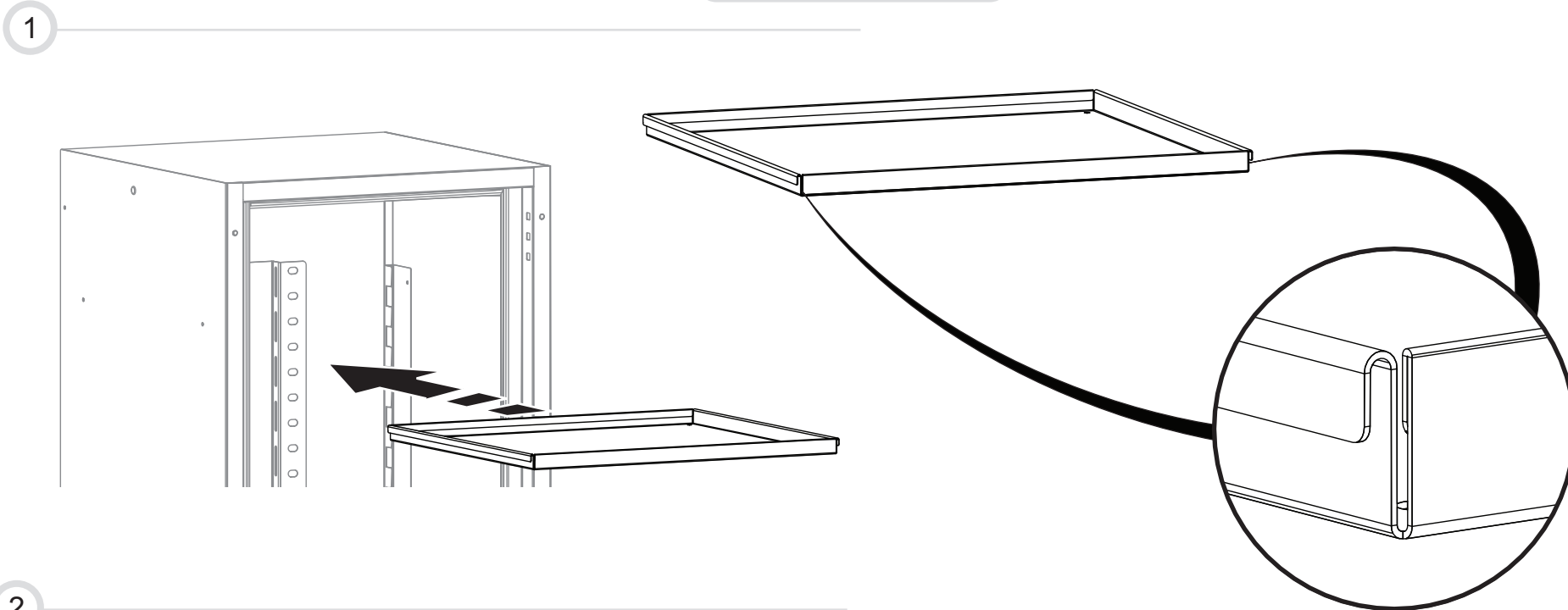


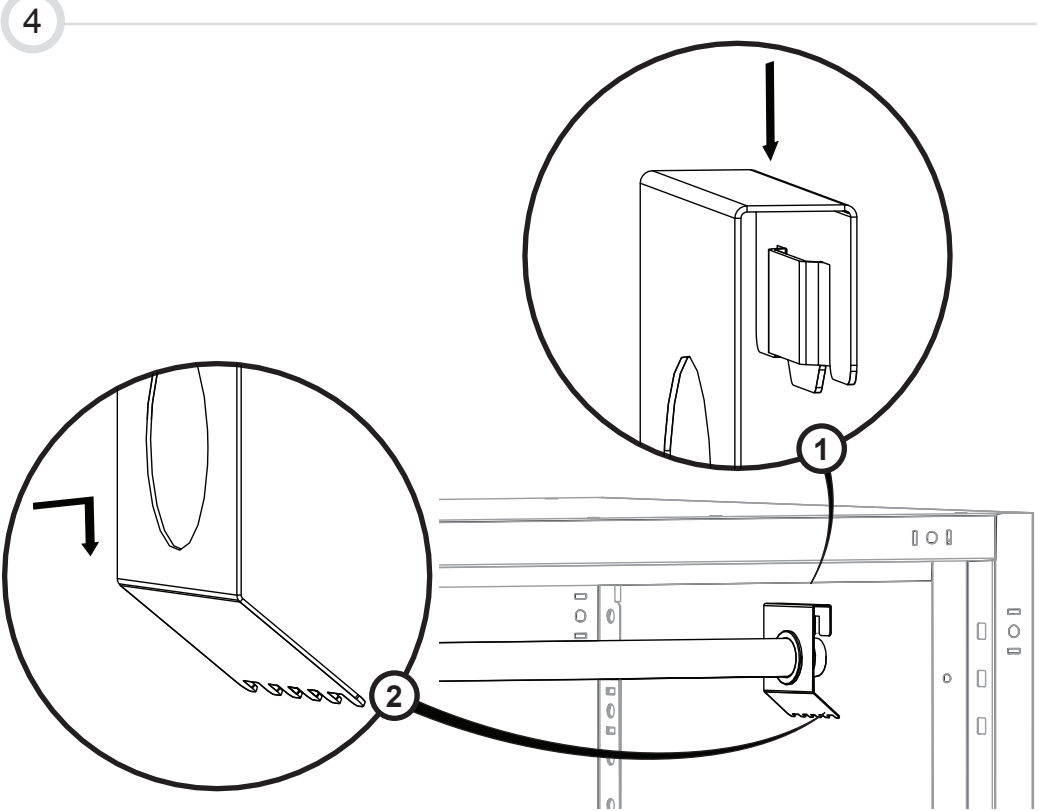
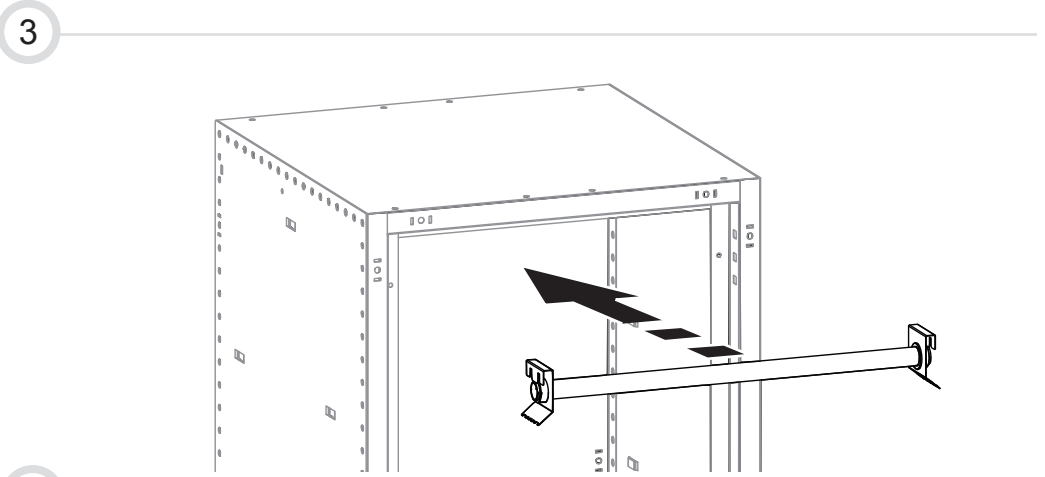
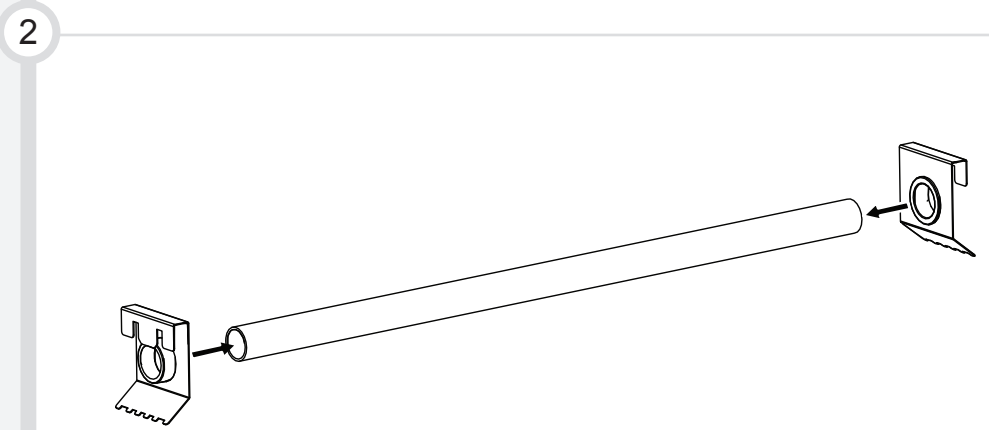
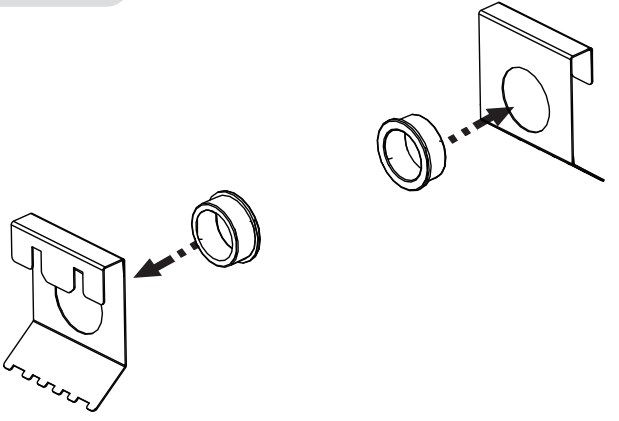
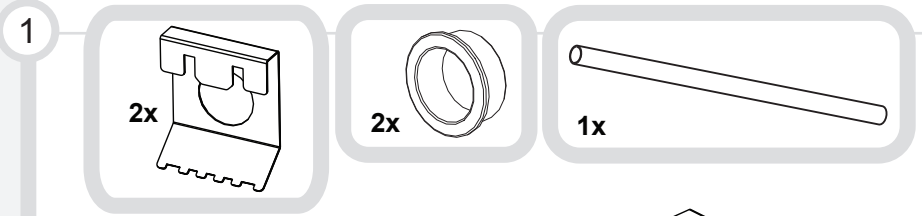
4



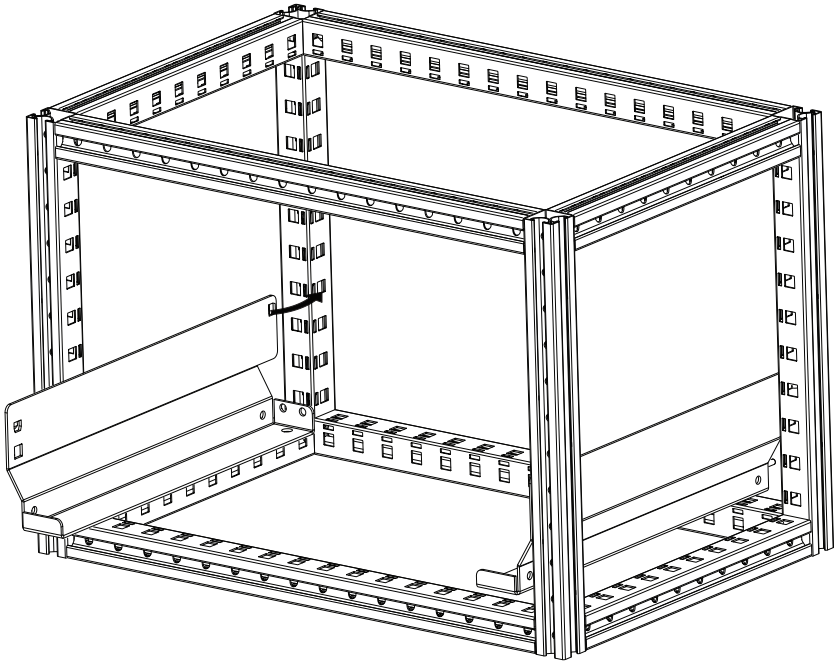
5





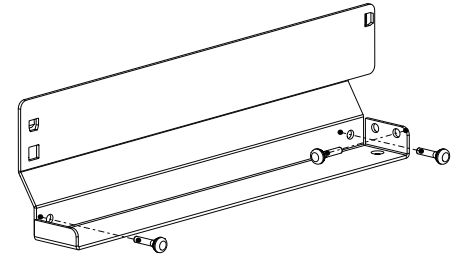
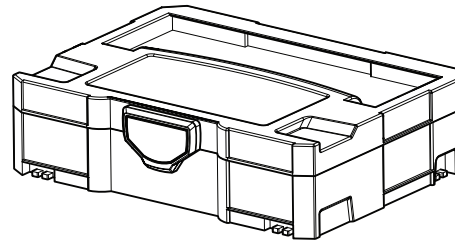


1

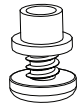


3

6x



2 x

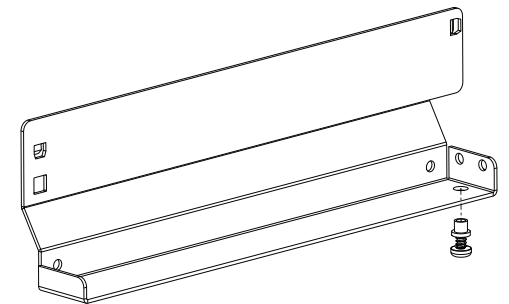
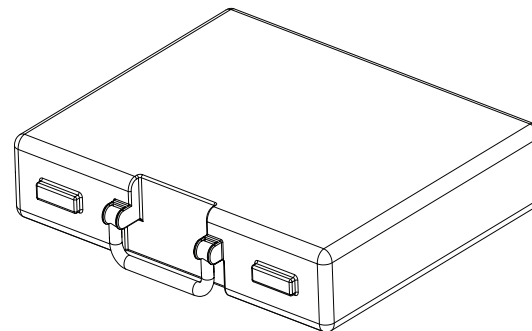
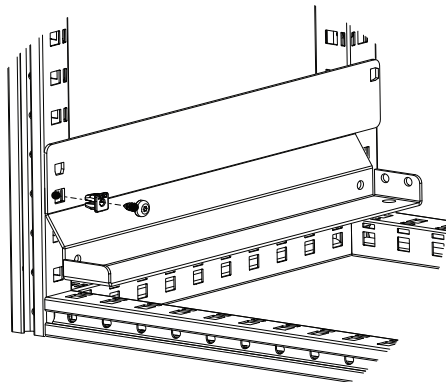
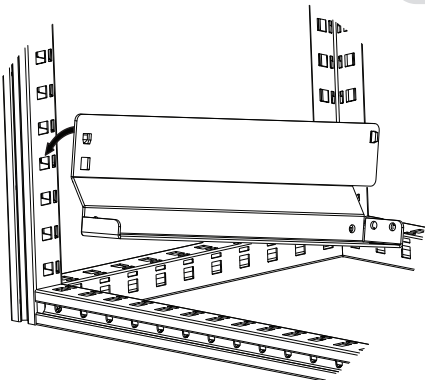


2

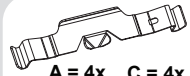
2x



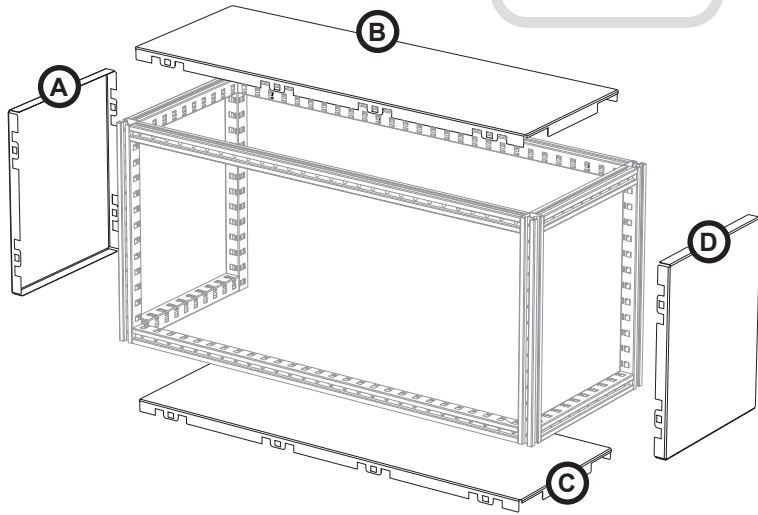
2x



1



A = 4x C = 4x
B = 8x D = 4x



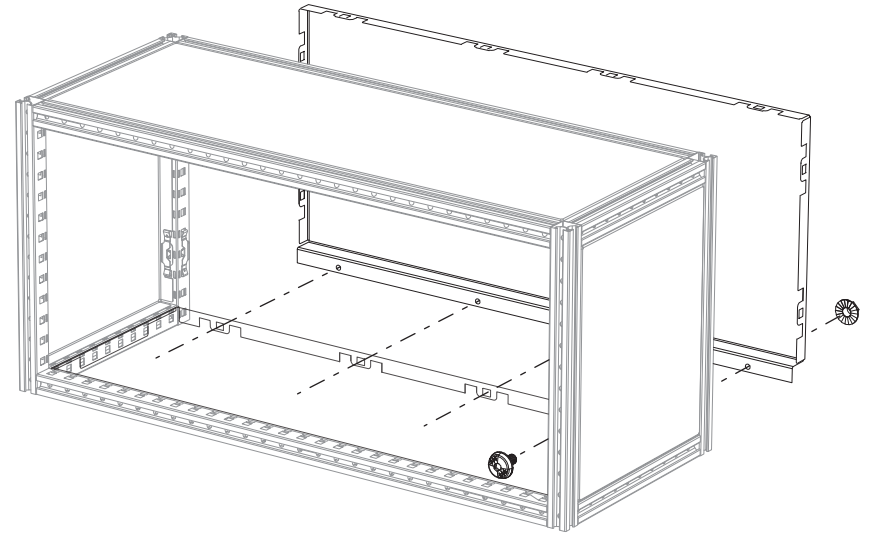
2



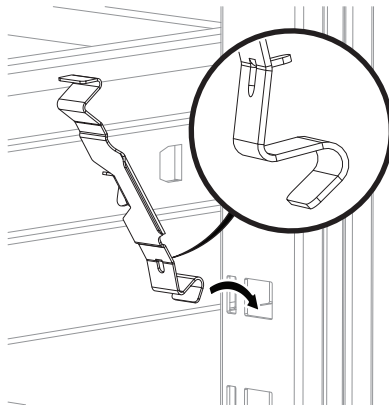
4x (M6 x 12)



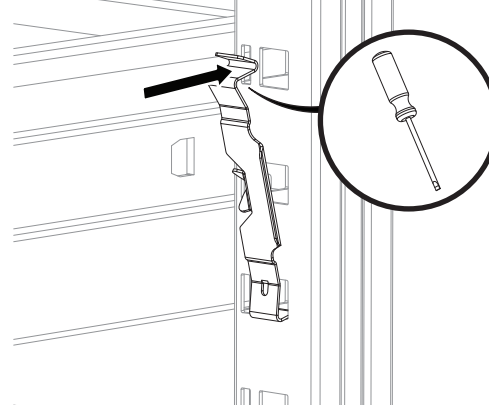
8x



1

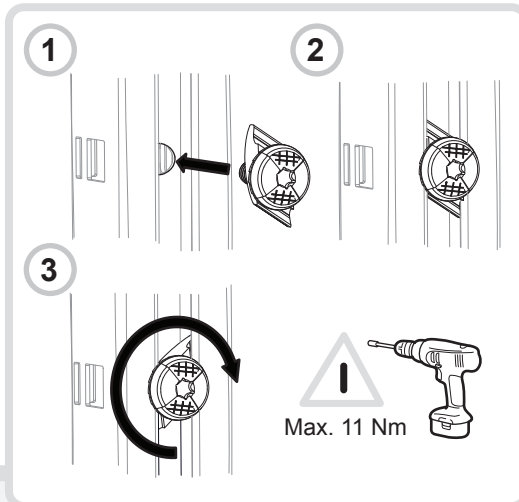
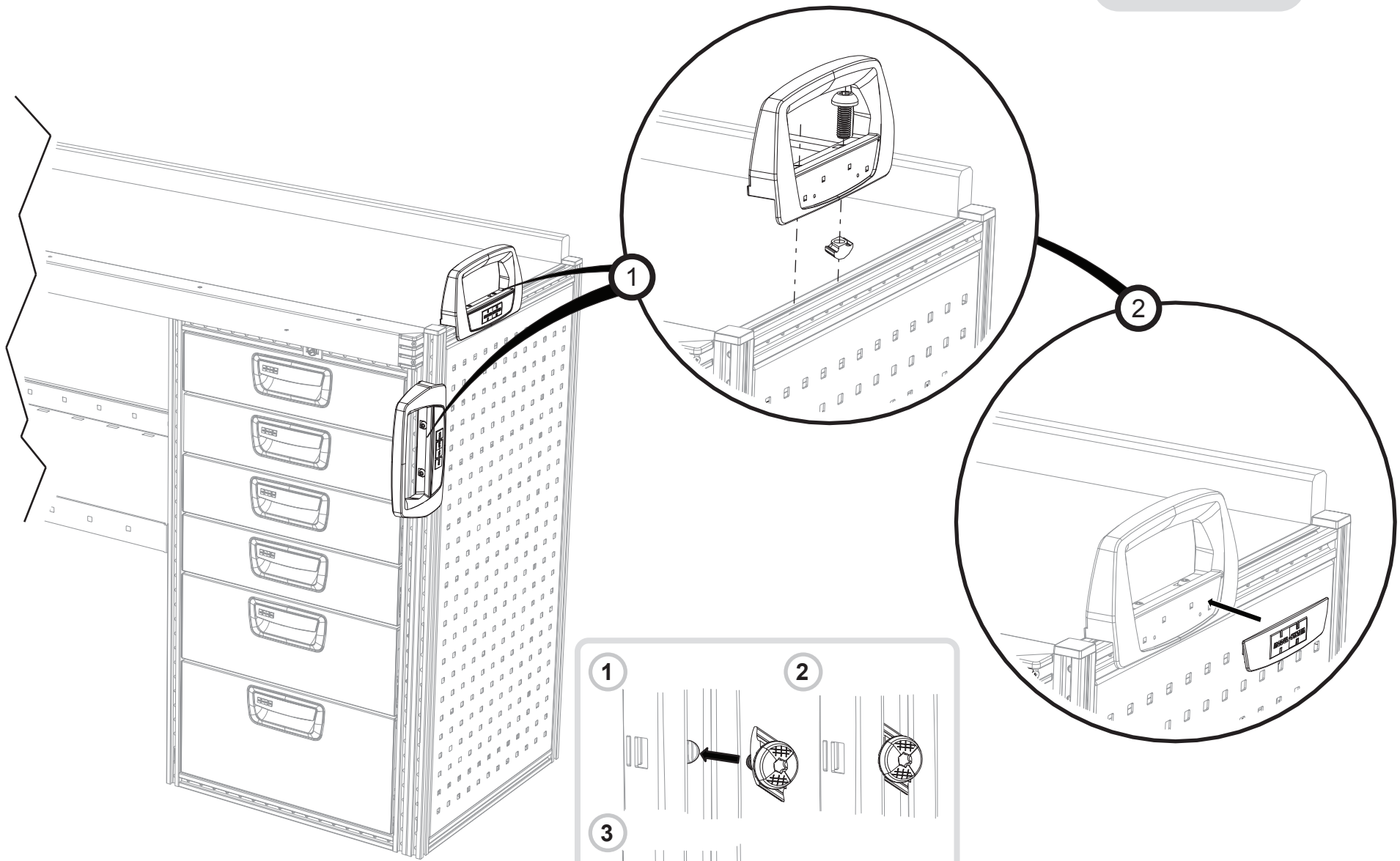


2

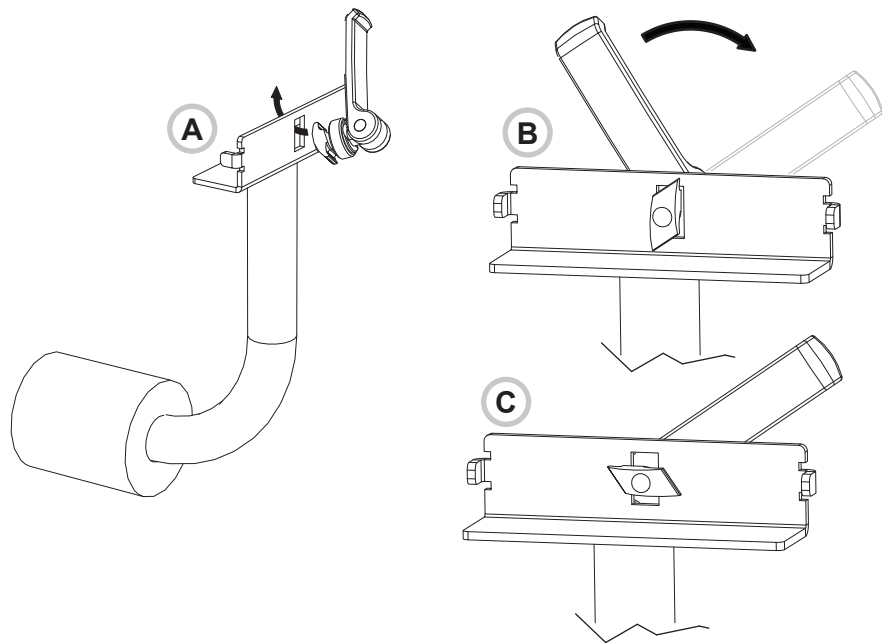




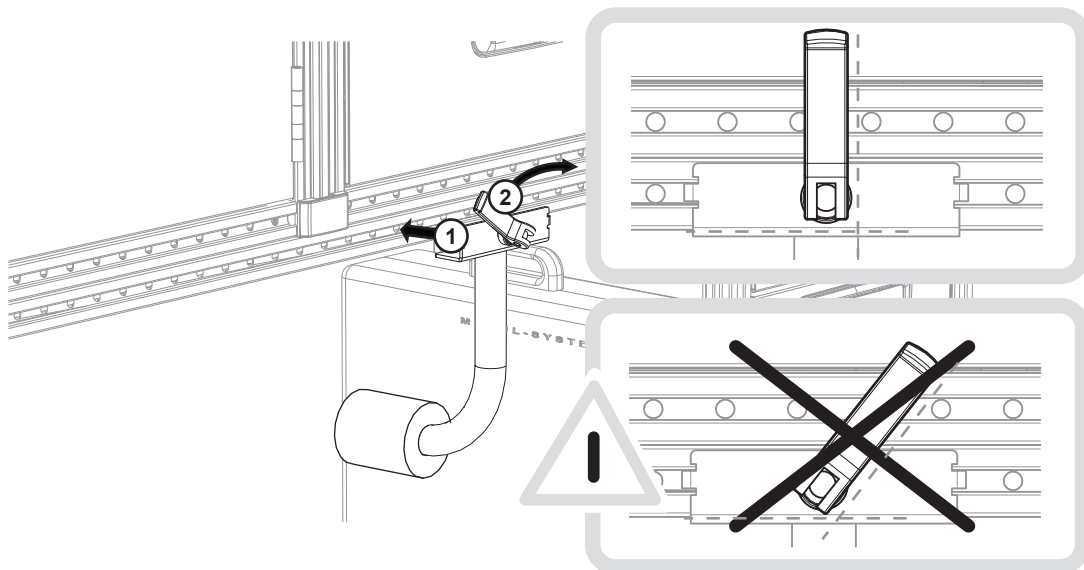
2x (M6 x 25)



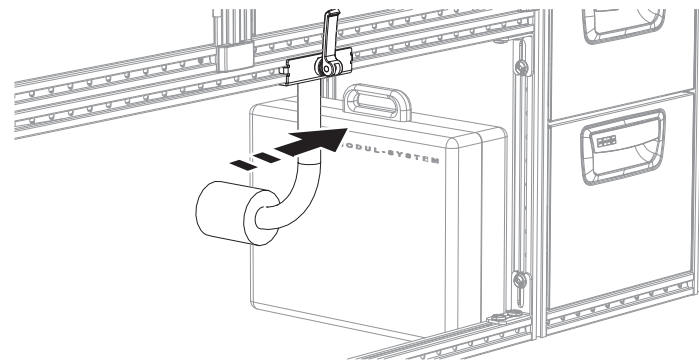
1



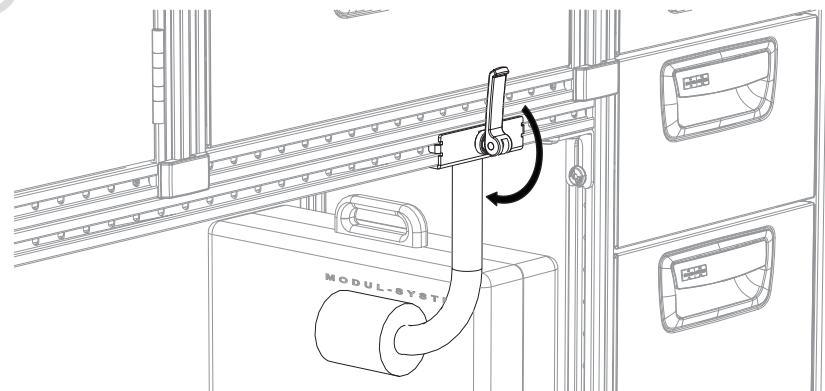
2



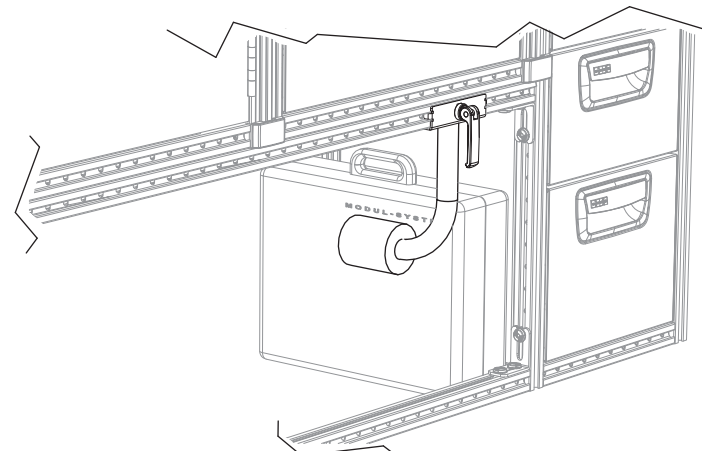
3



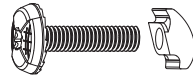
4



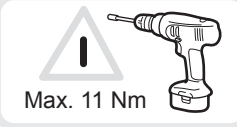
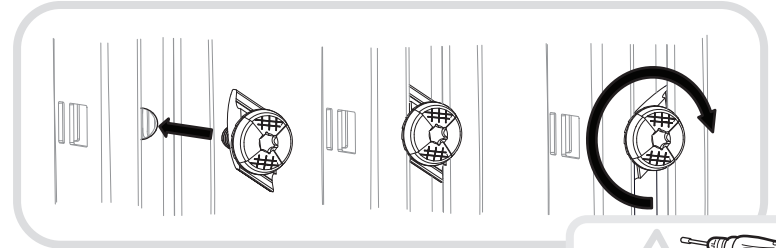
5



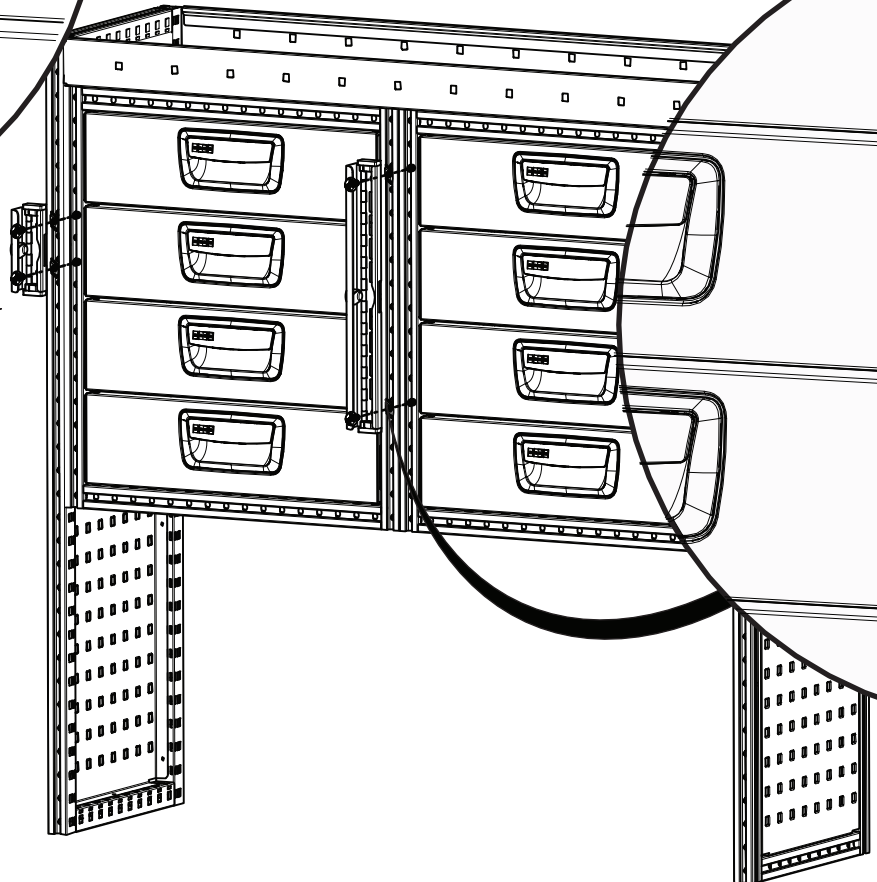
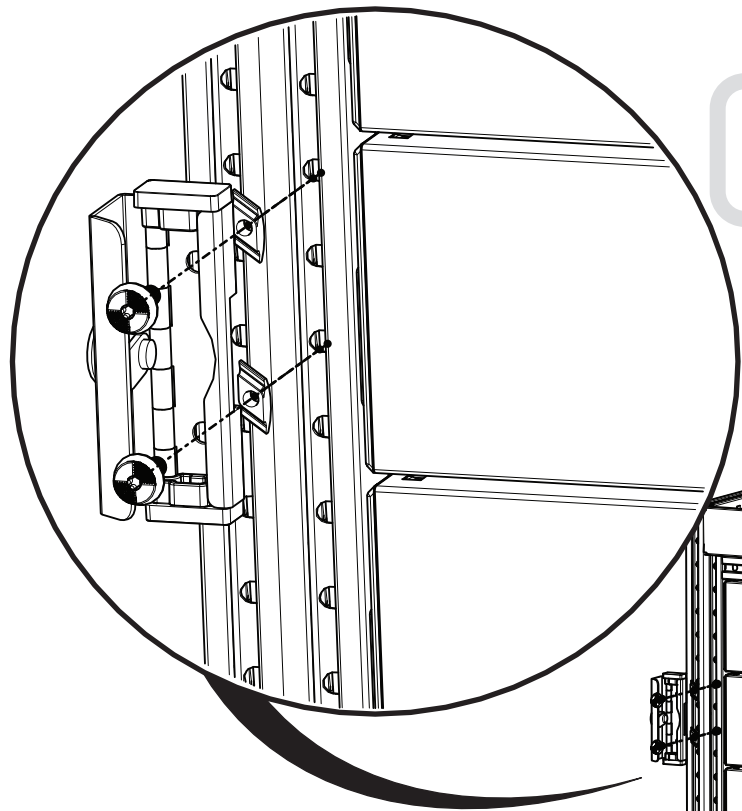
MODUL-SYSTEM 3005_03



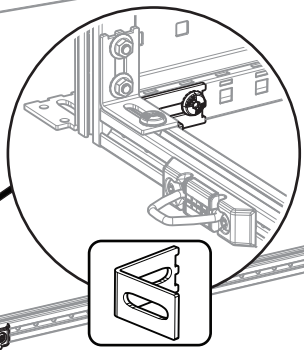
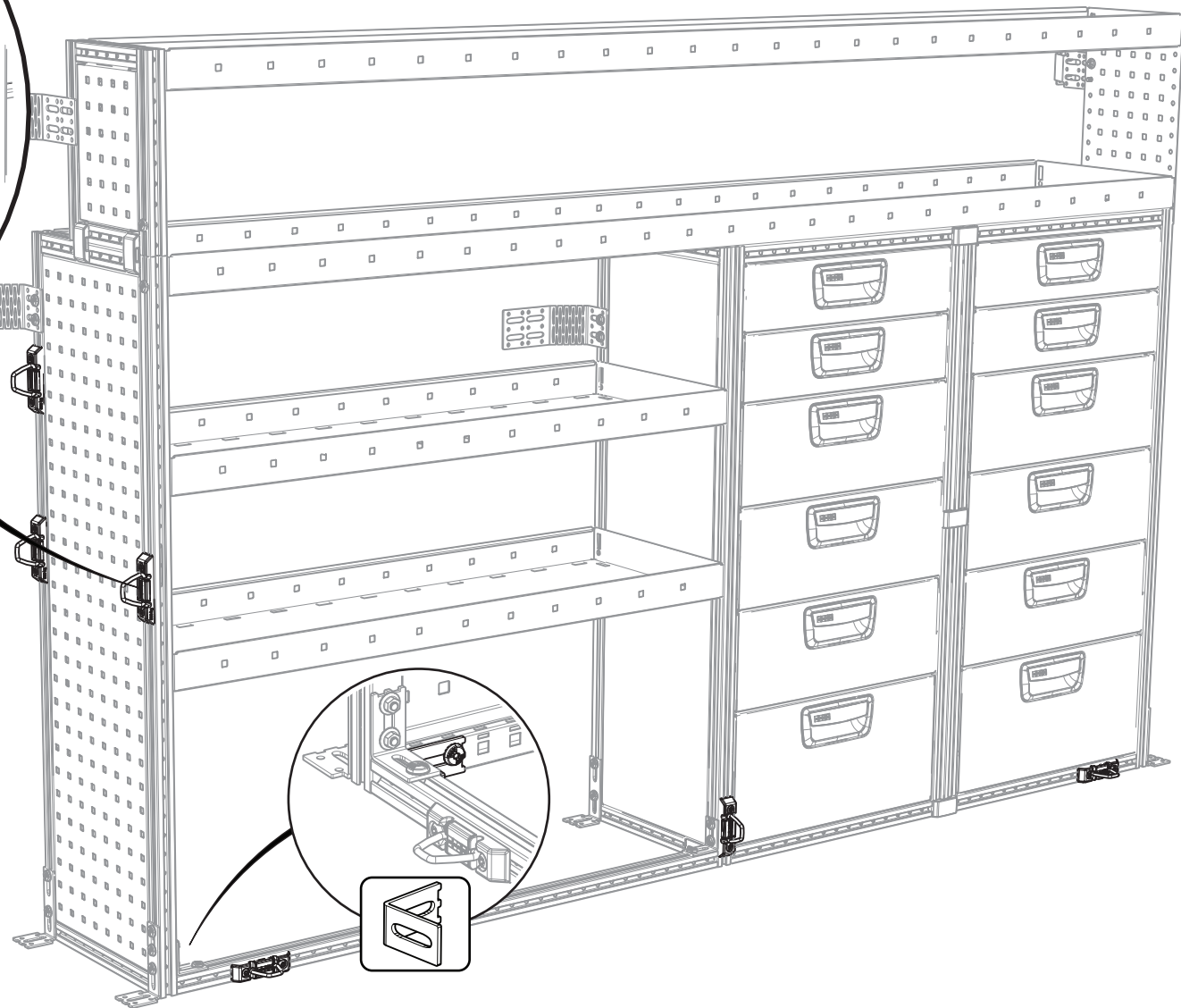
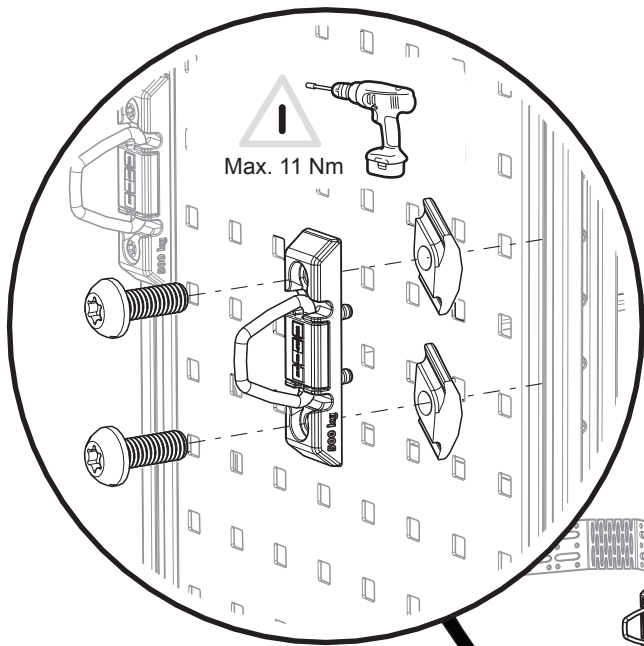
2x M6 x 9

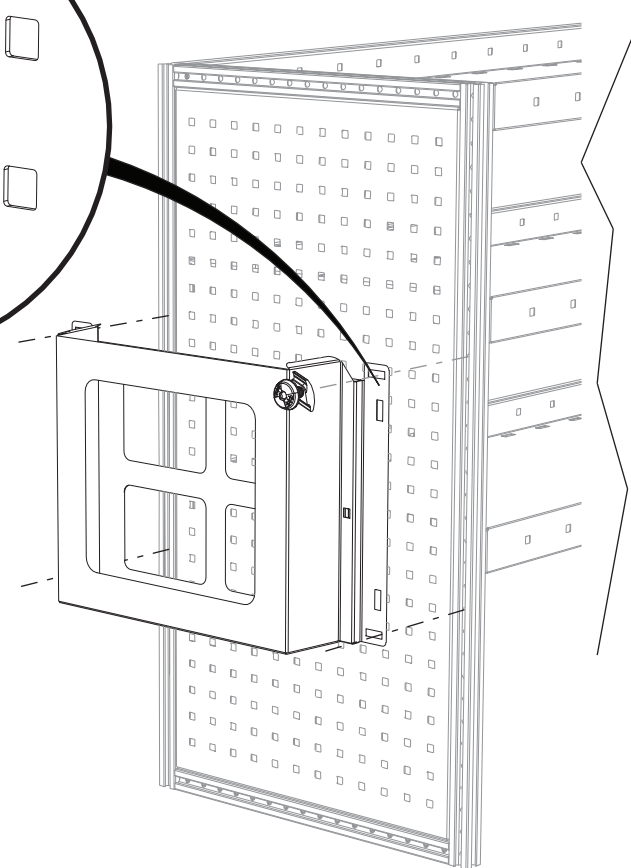
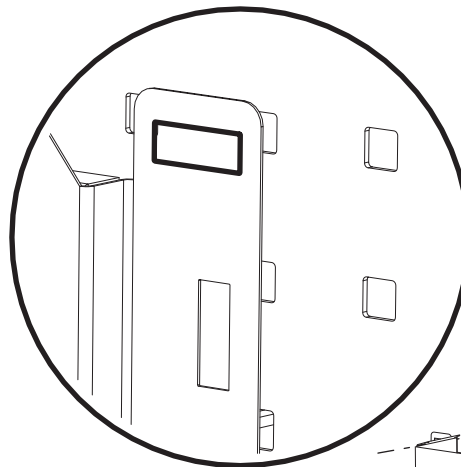
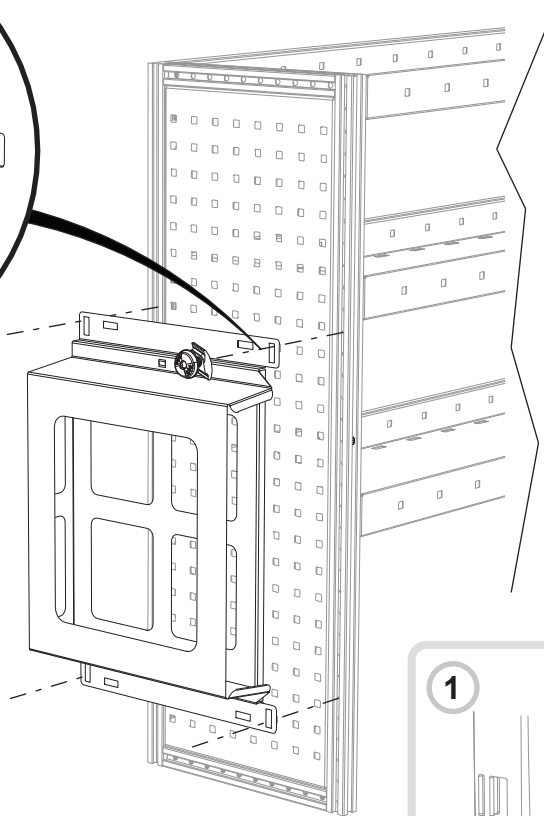
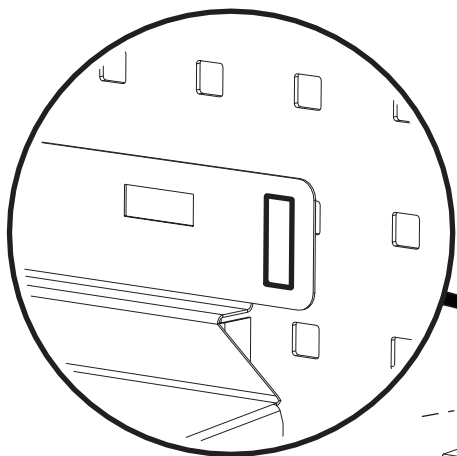


Max. 11 Nm



2x M6 x 12

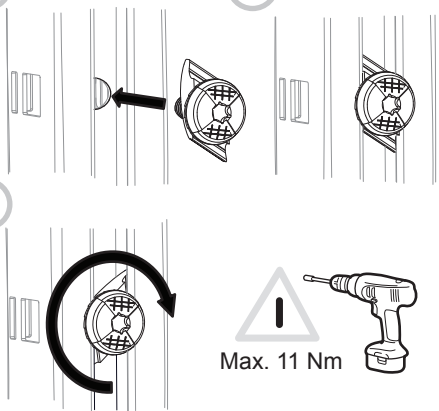




1

2

3



Max. 11 Nm



4x (M6 x 16)

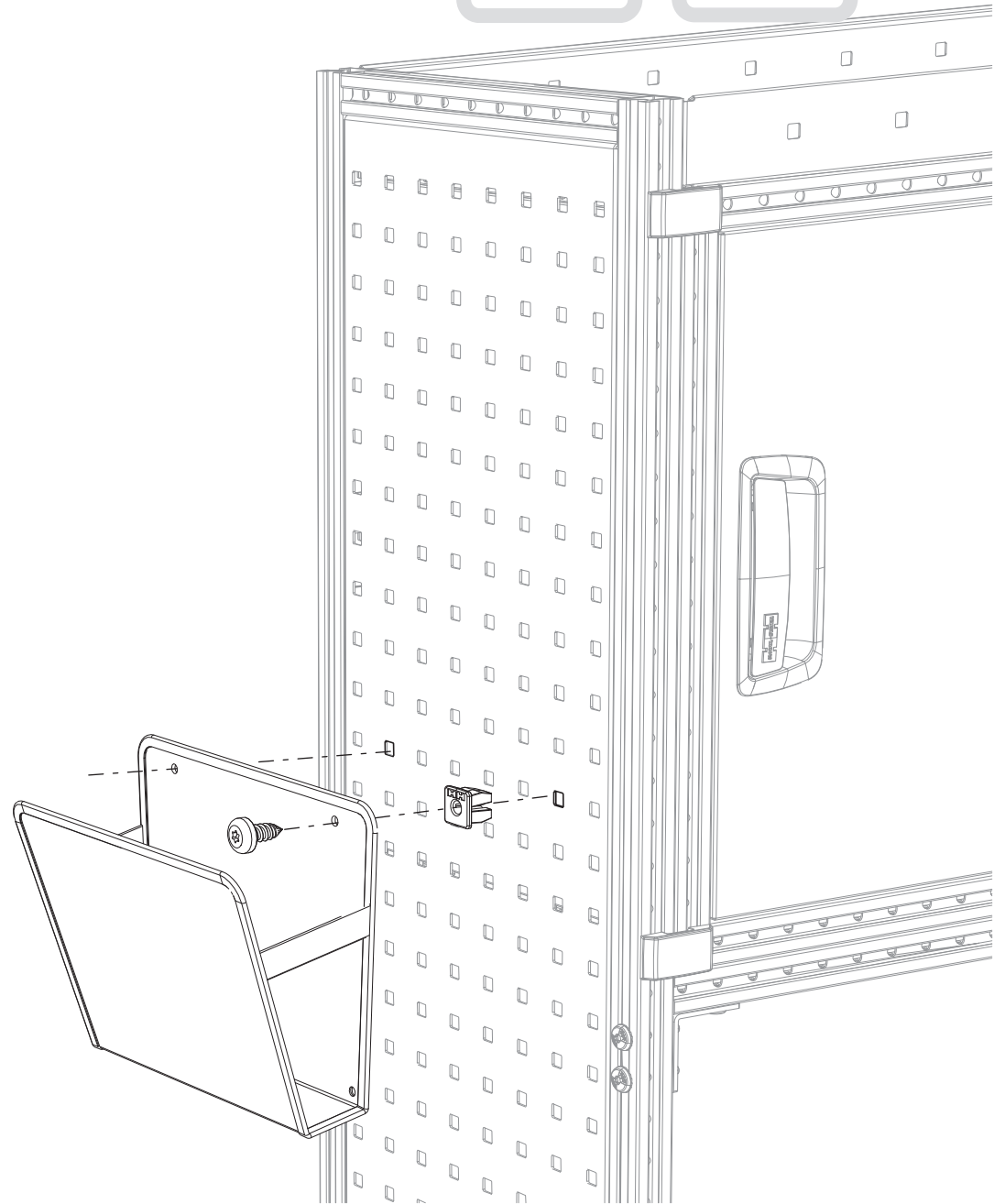
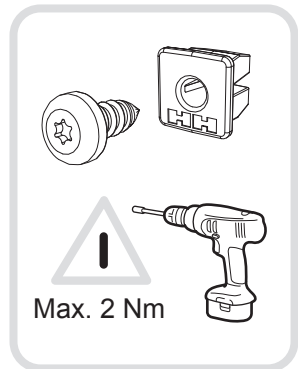
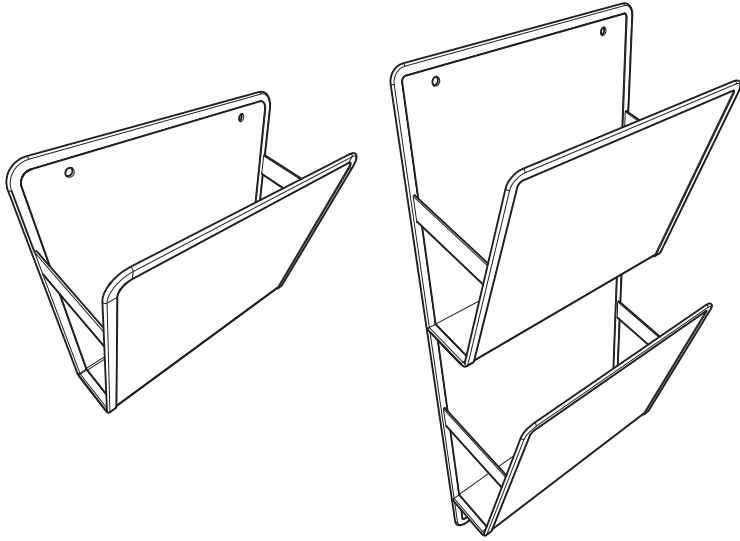


4x (M6 x 16)

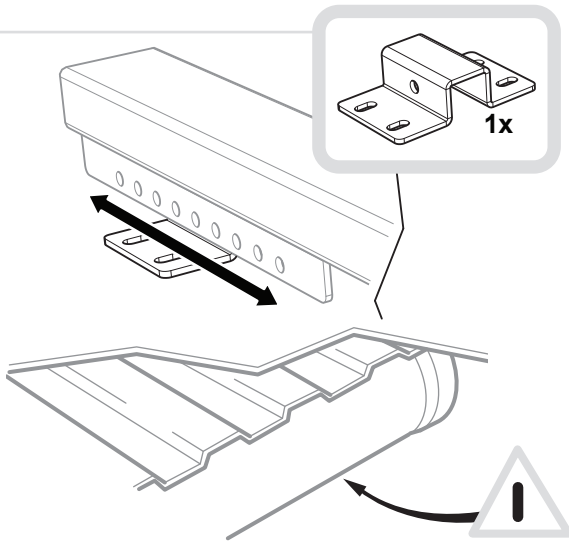
2x



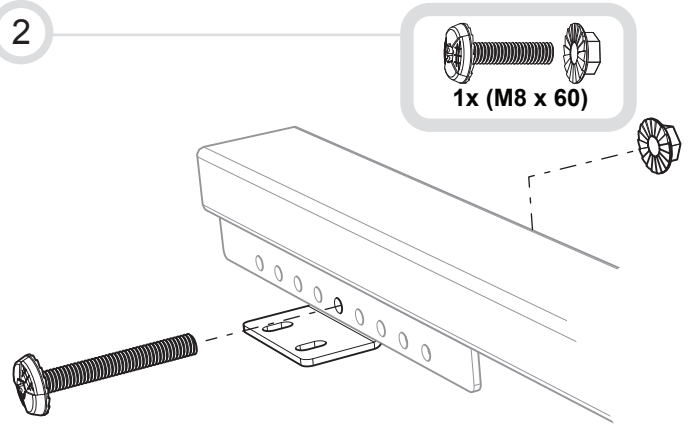
2x



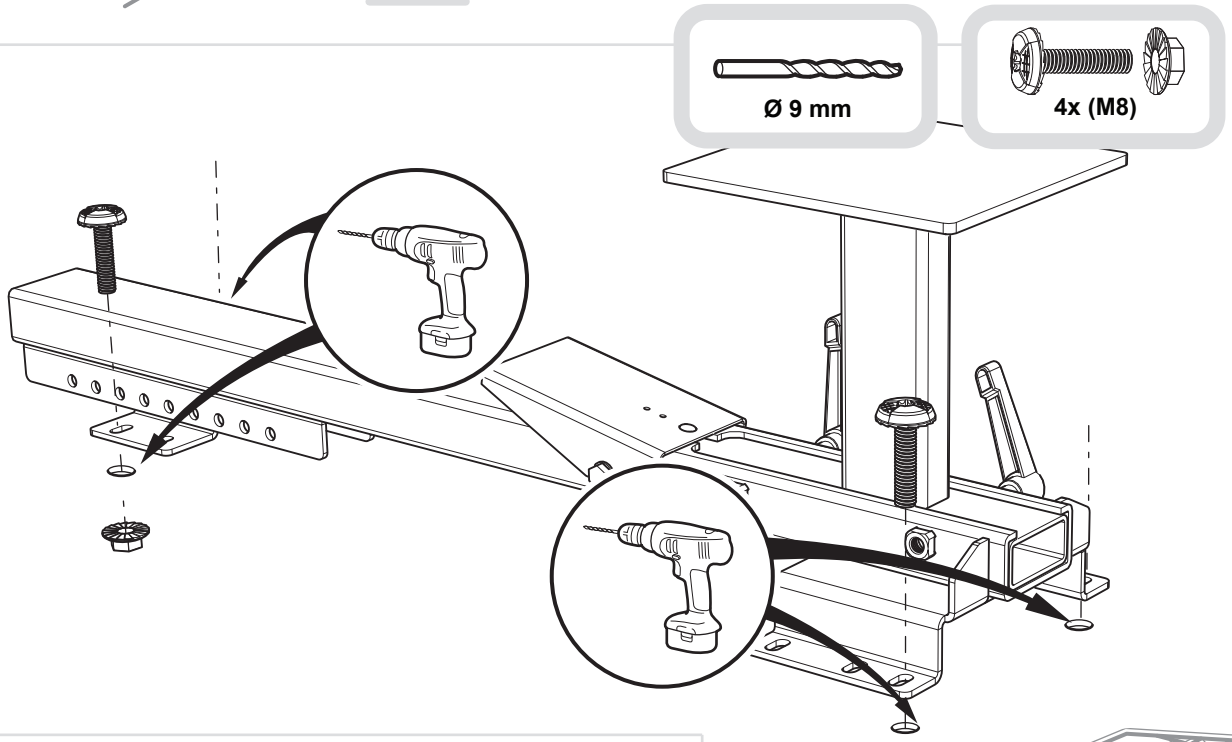
1



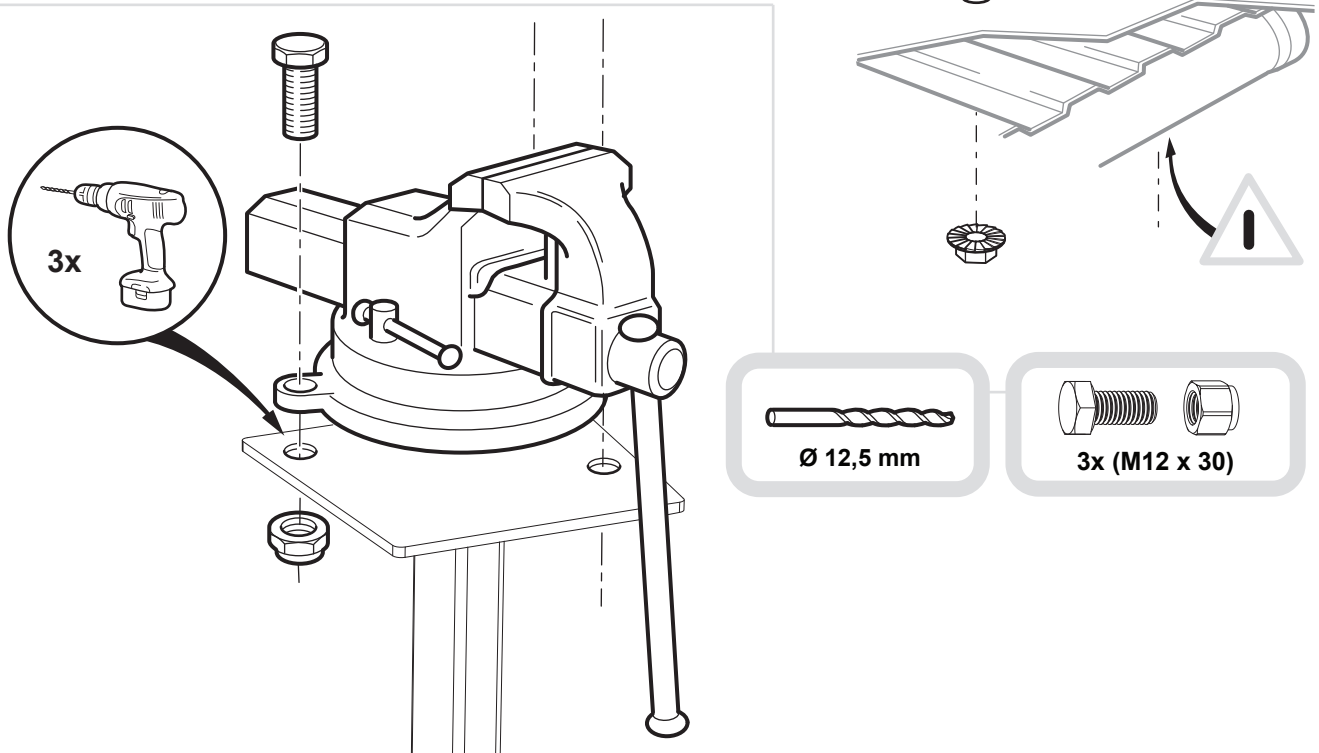
2



3

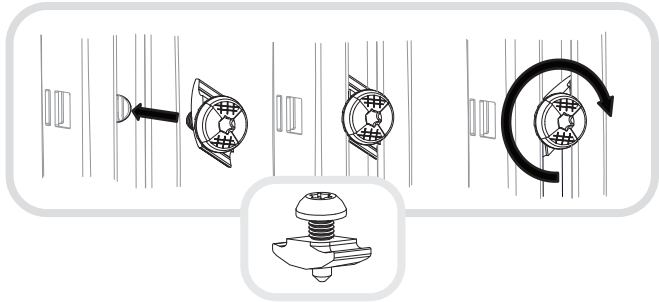
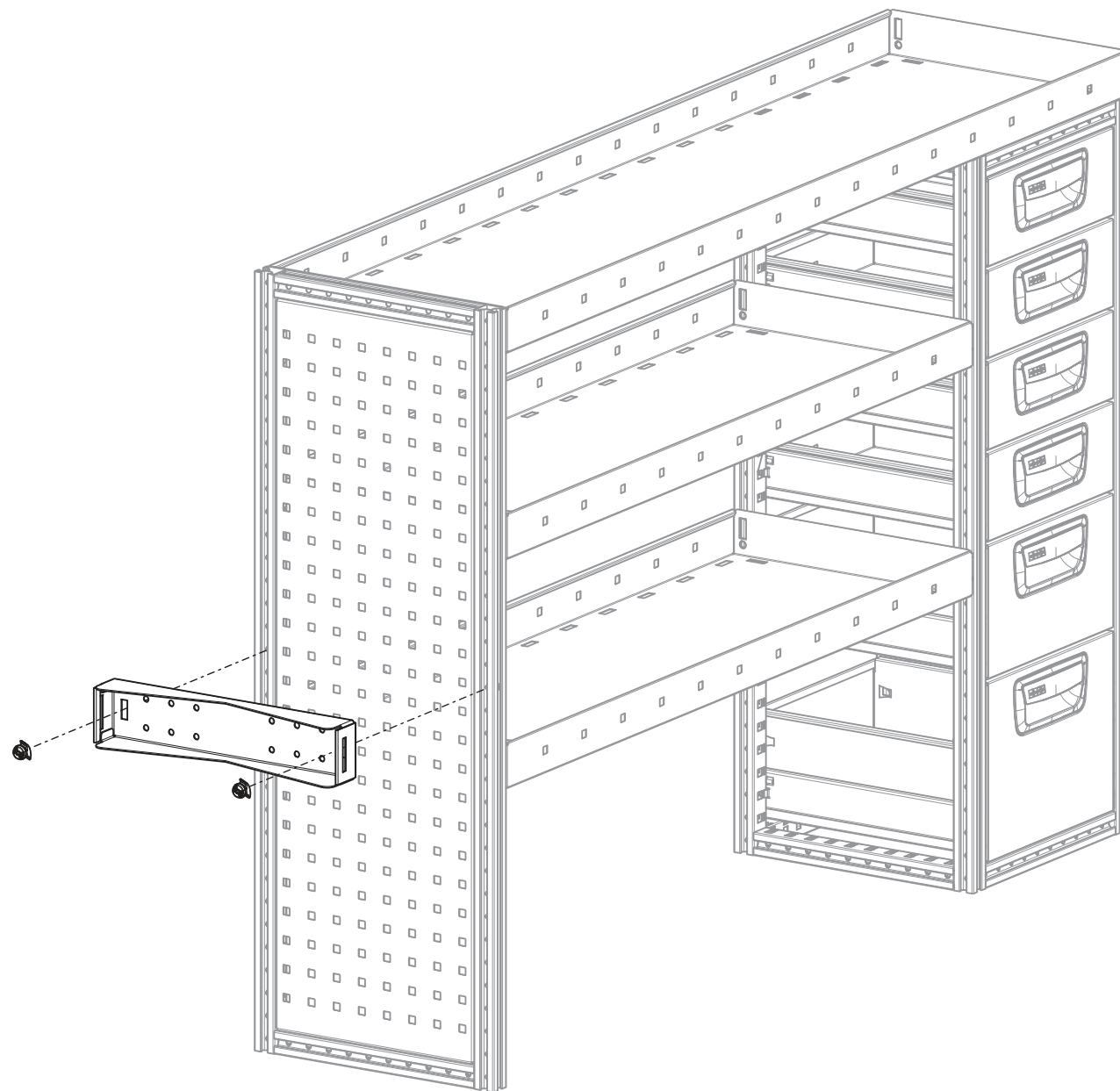
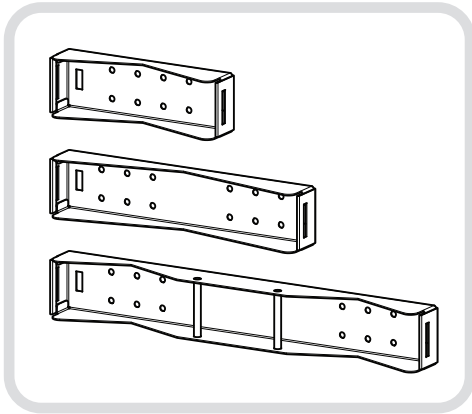


4

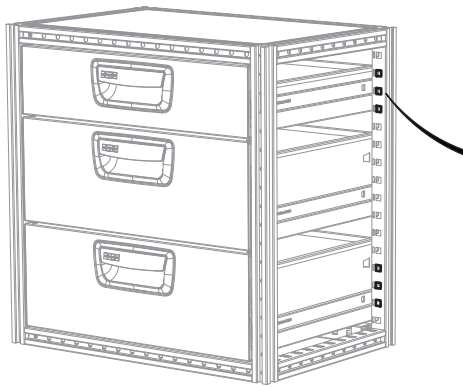




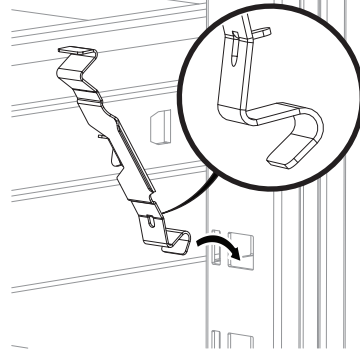
2x (M6 x 16)



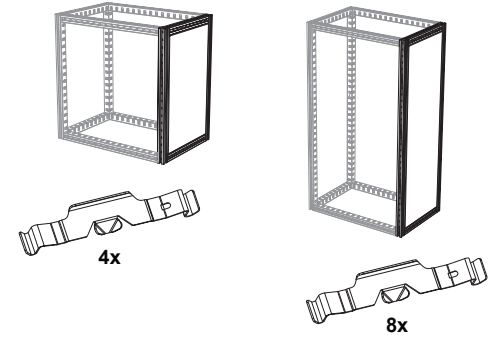
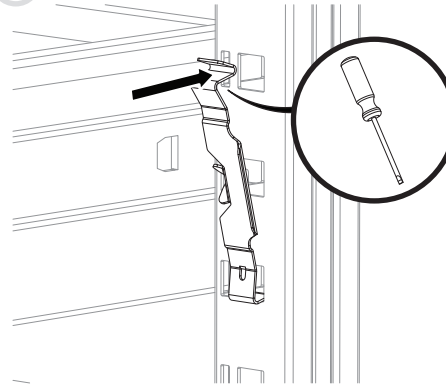
1



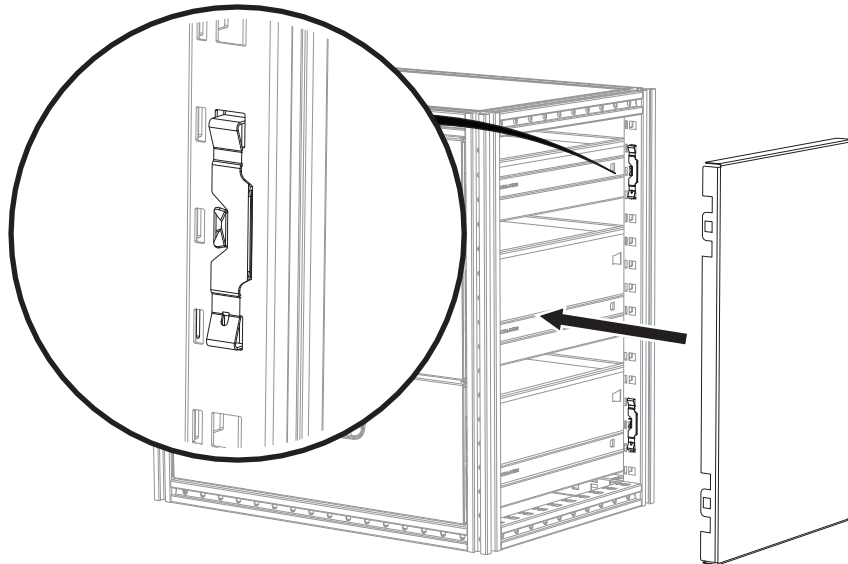
1



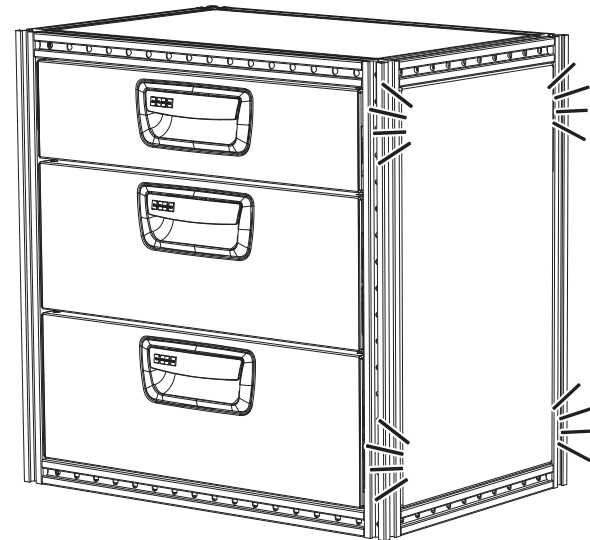
2



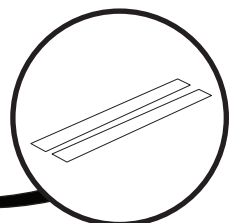
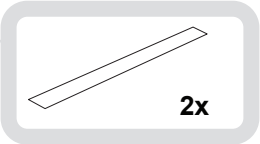
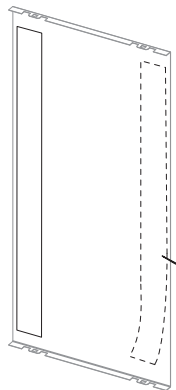
2



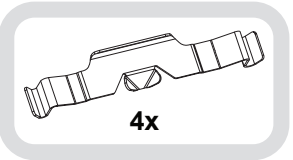
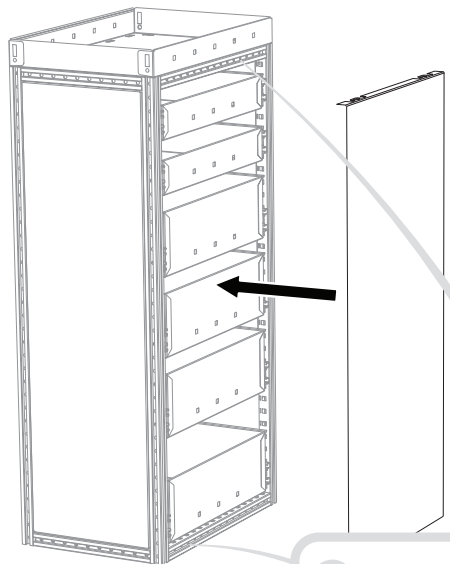
3



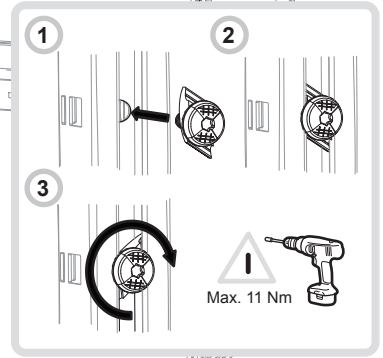
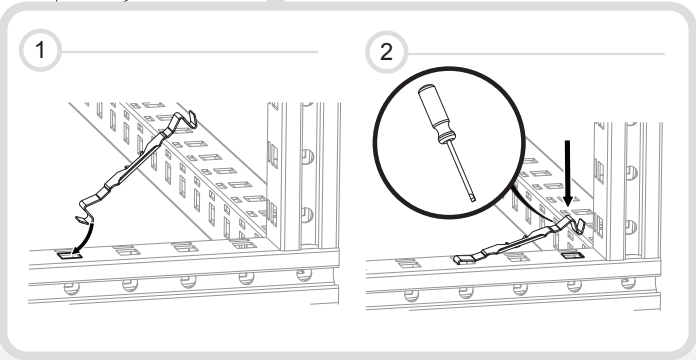
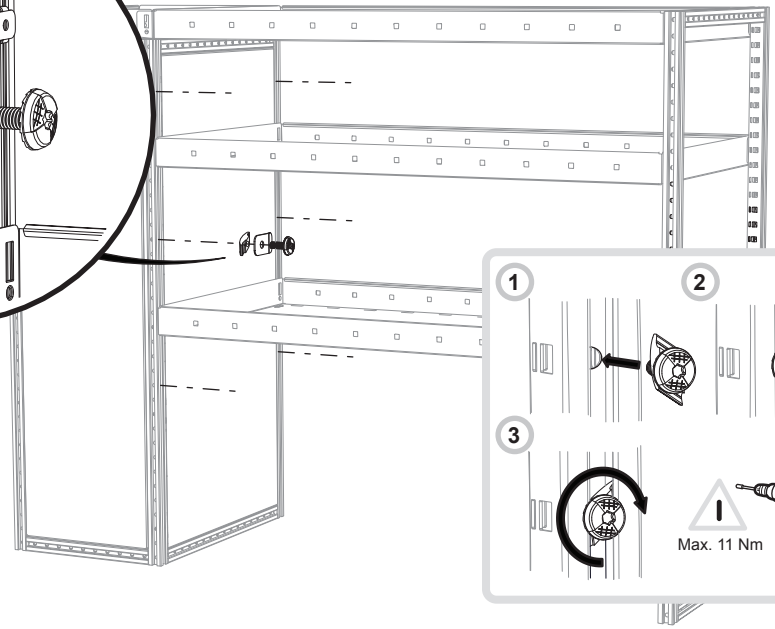
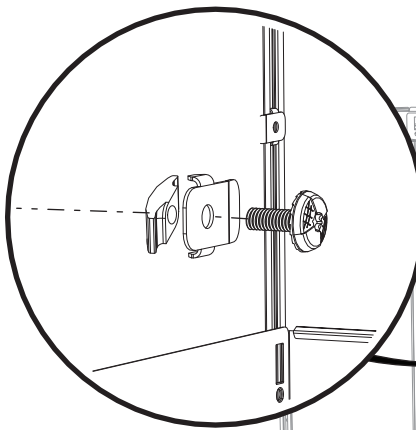
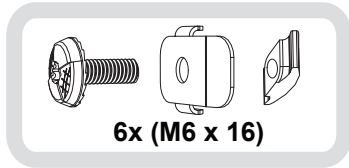
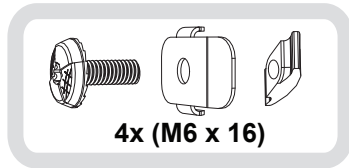
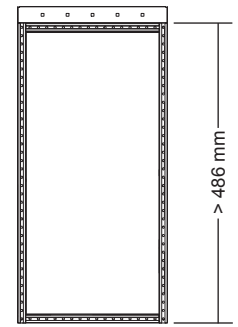
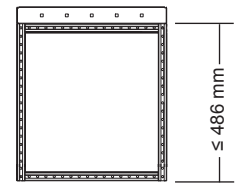
1



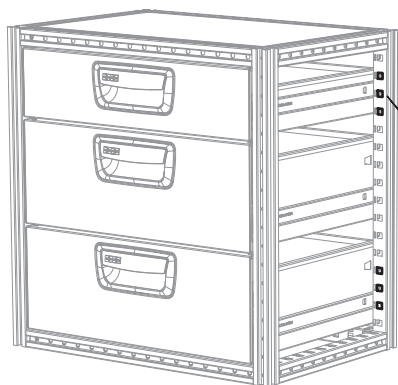
2



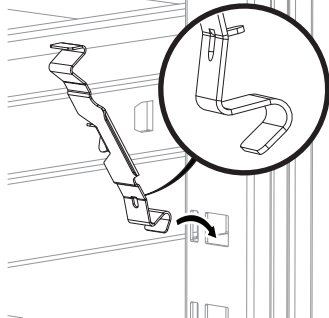
2



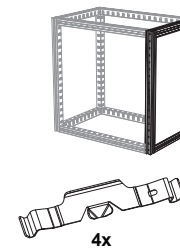
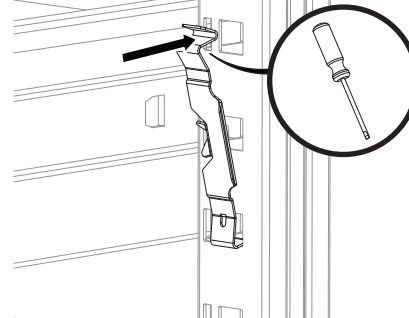
1



1



2

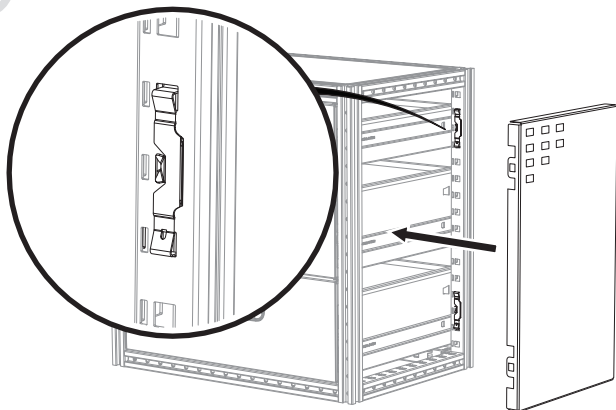


4x

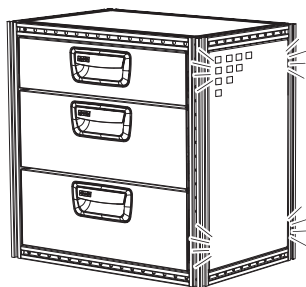


8x

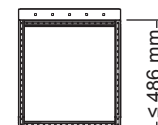
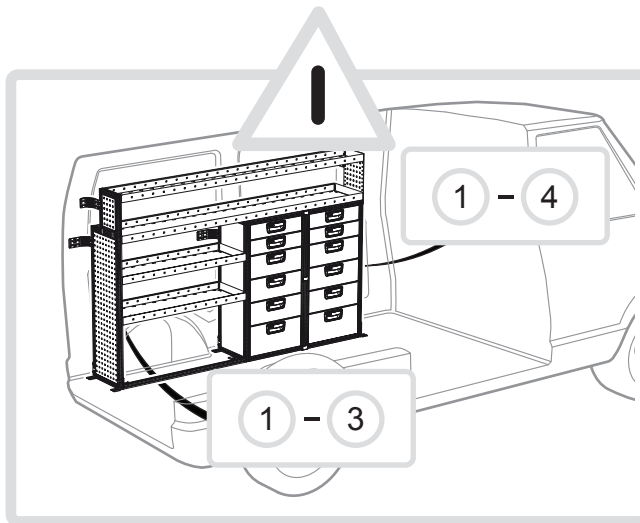
2



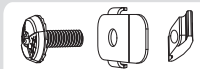
3



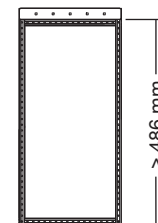
4



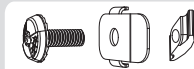
≤ 486 mm



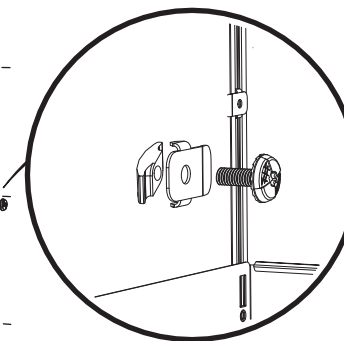
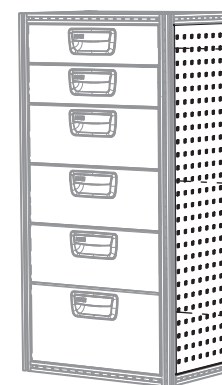
4x (M6 x 16)



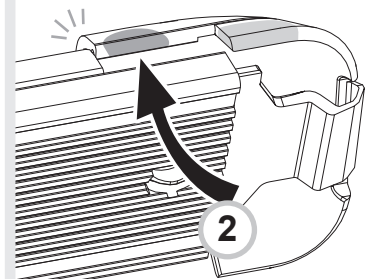
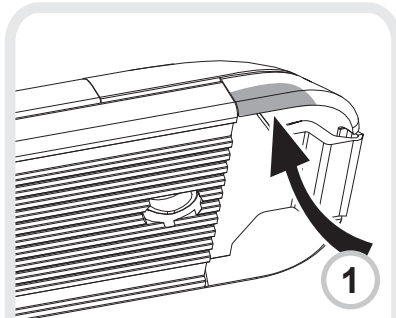
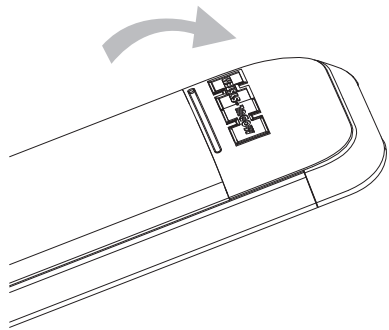
> 486 mm



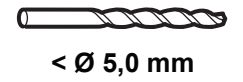
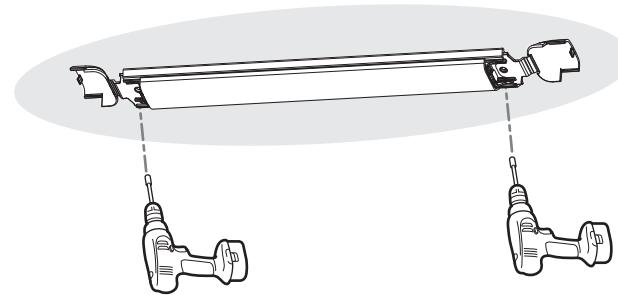
6x (M6 x 16)



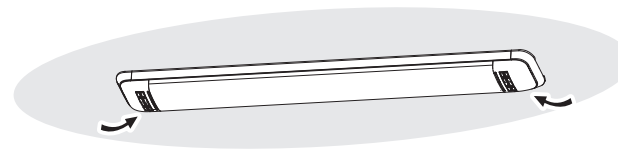
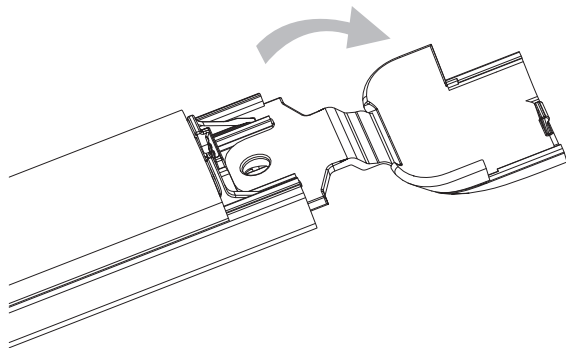
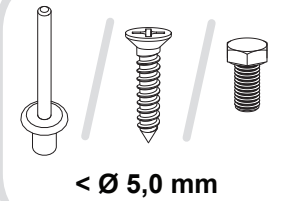
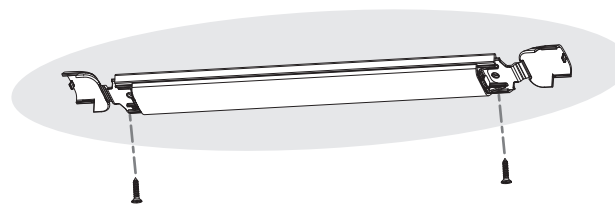
1



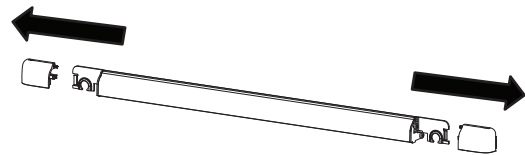
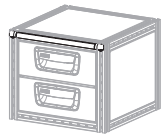
2



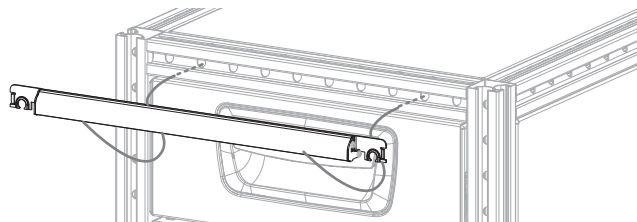
3



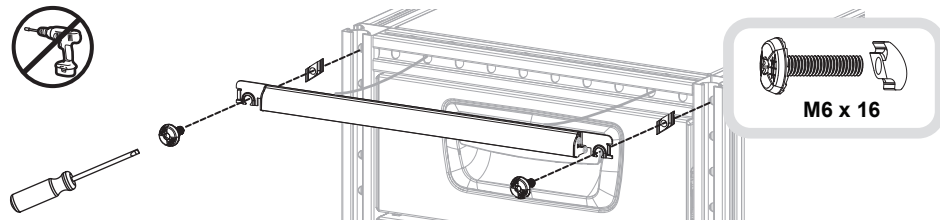
1



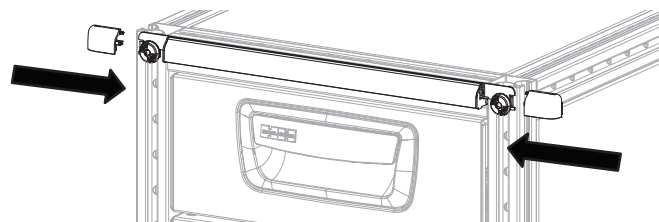
2



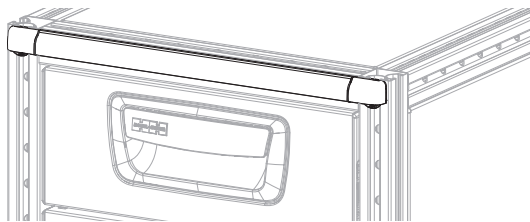
3



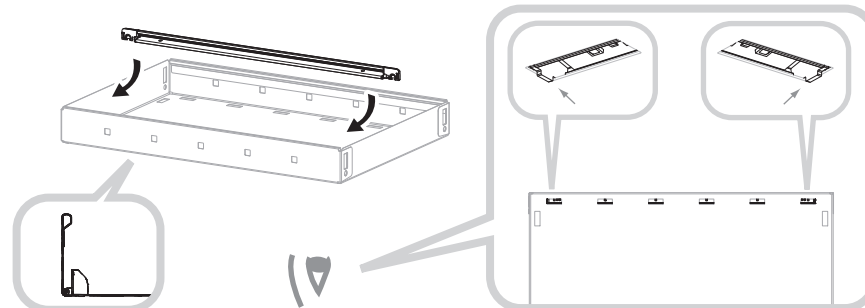
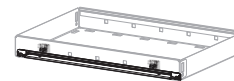
4



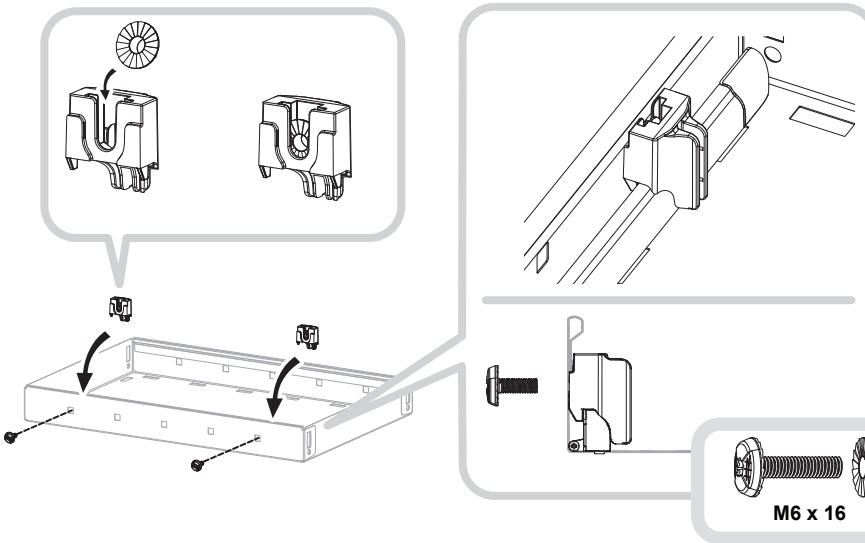
5



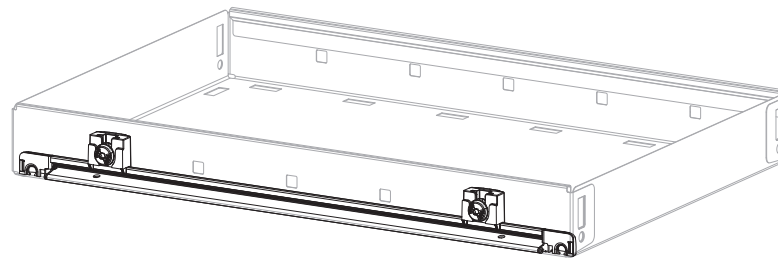
1



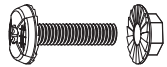
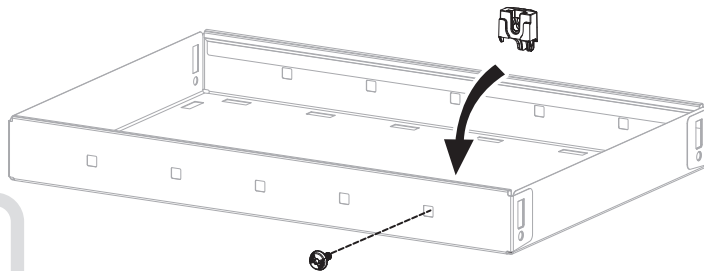
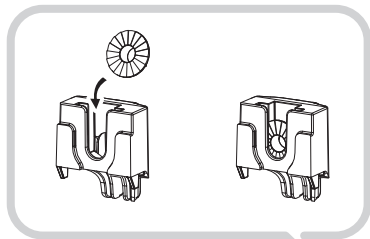
2



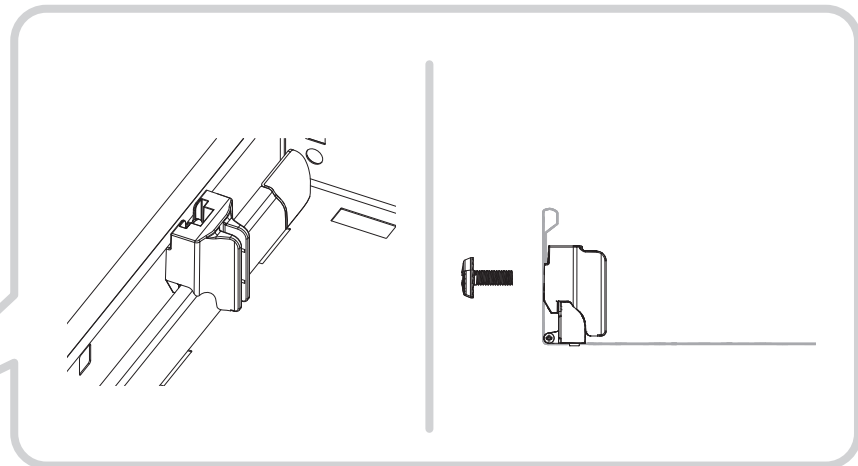
3



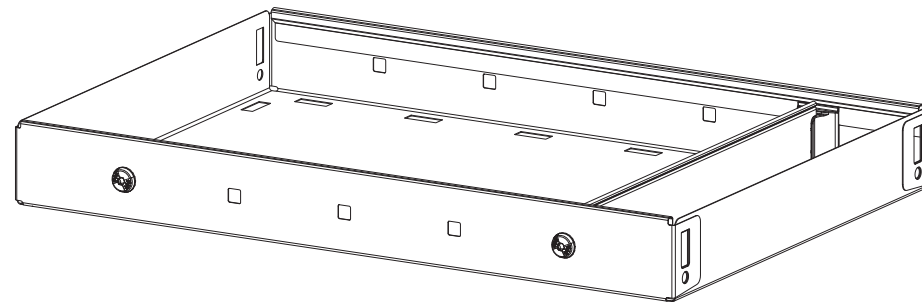
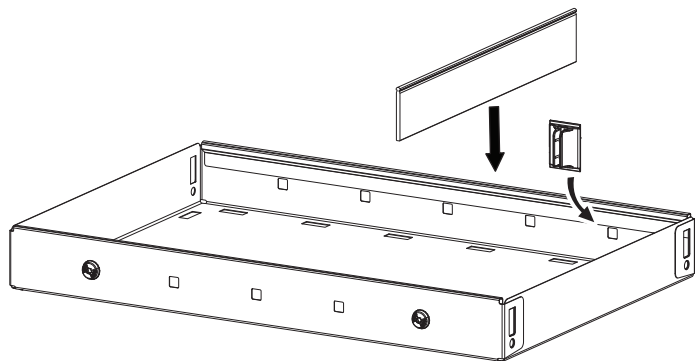
1



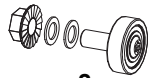
M6 x 16



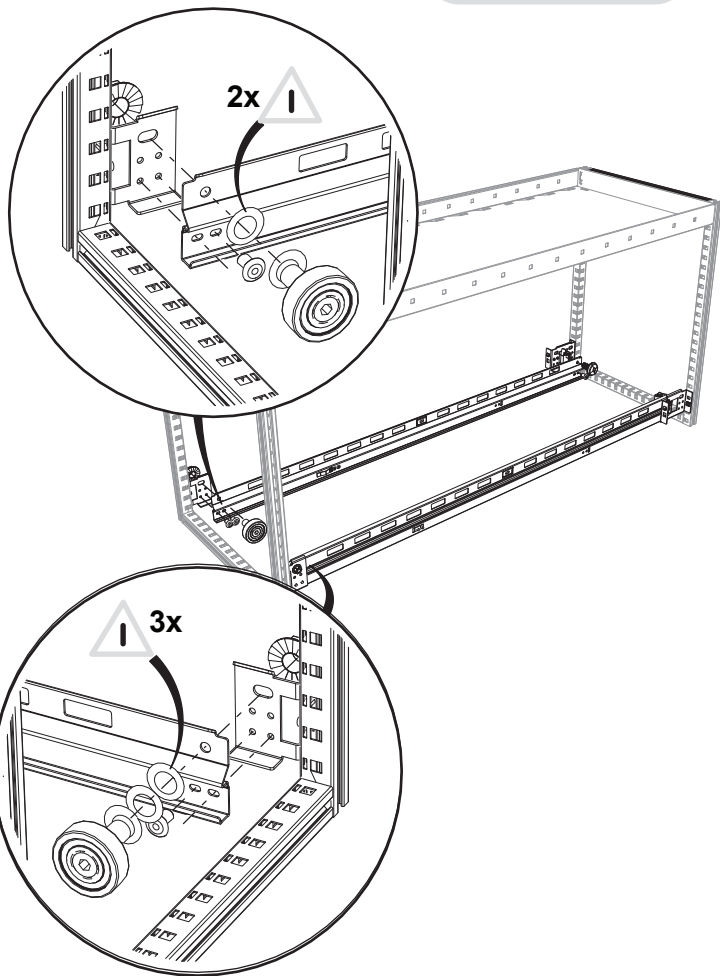
2



1



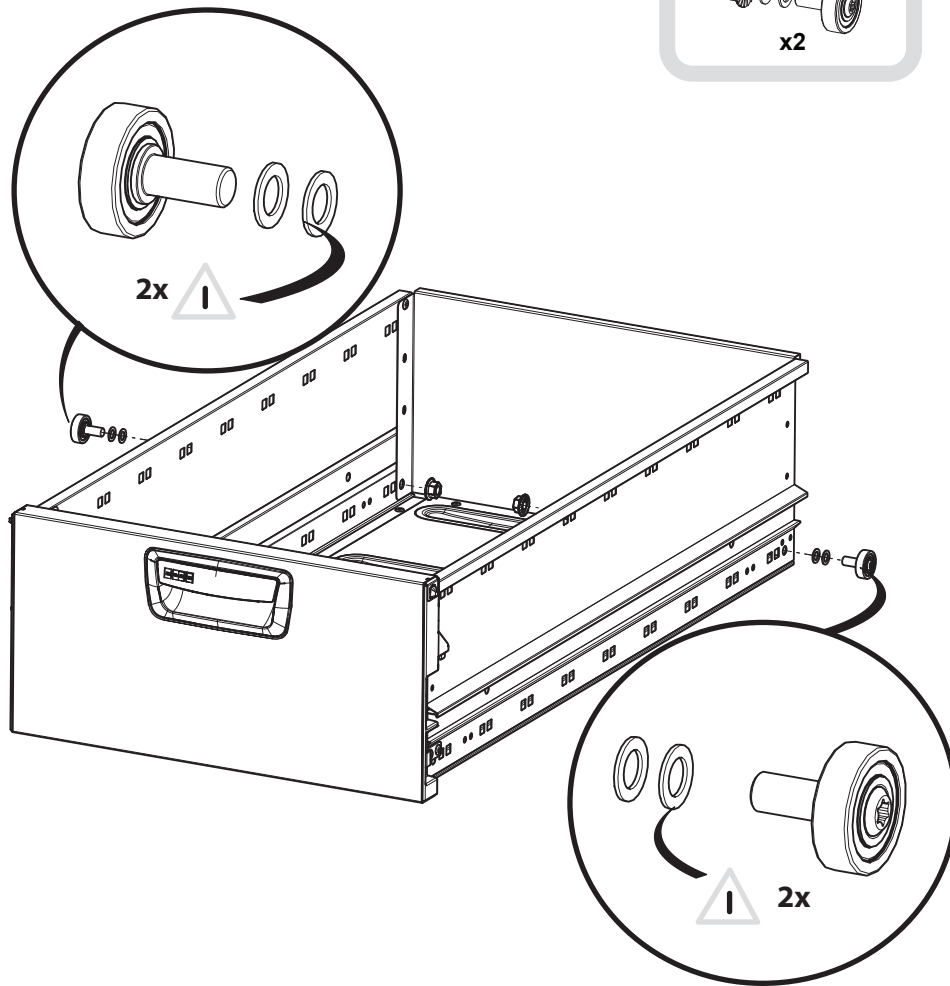
x2



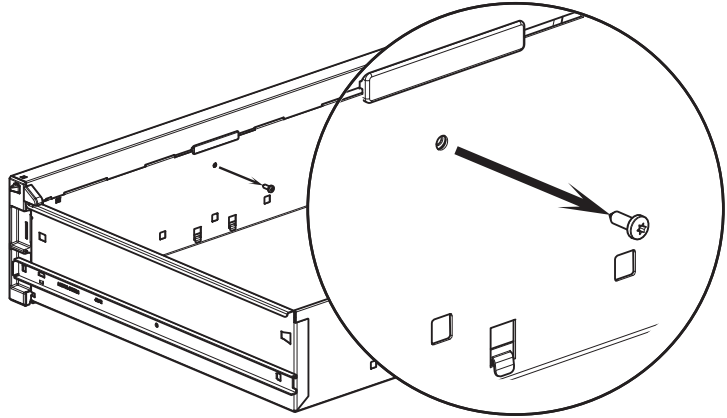
2



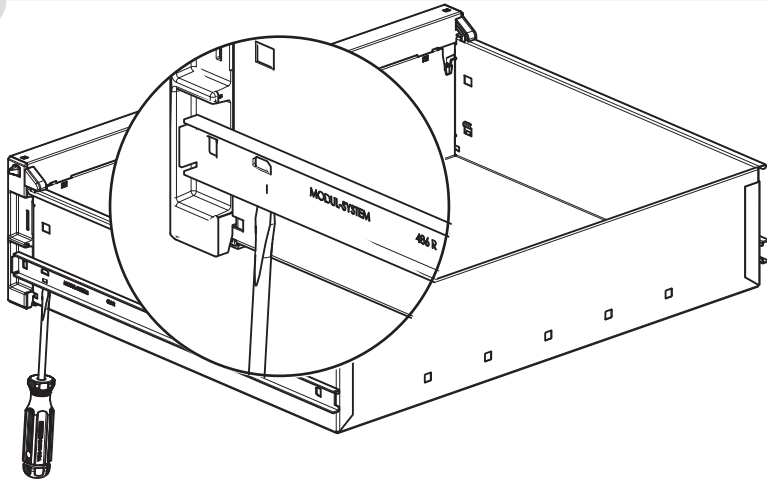
x2



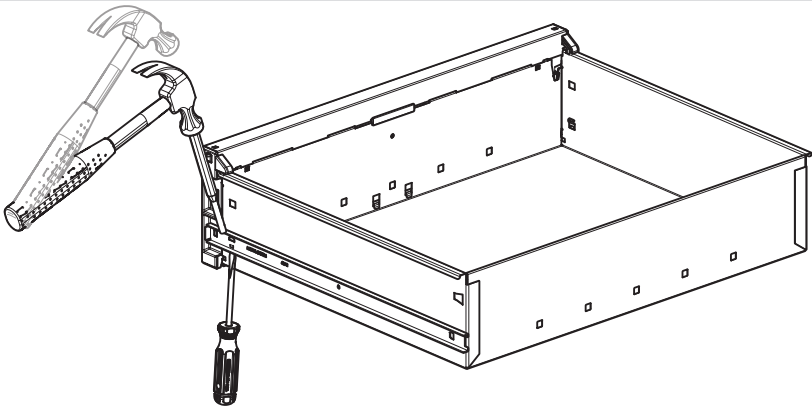
1



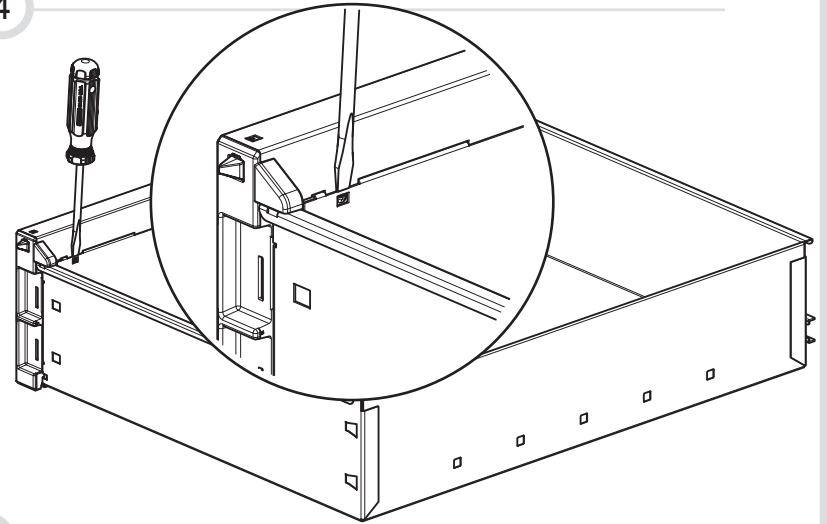
2



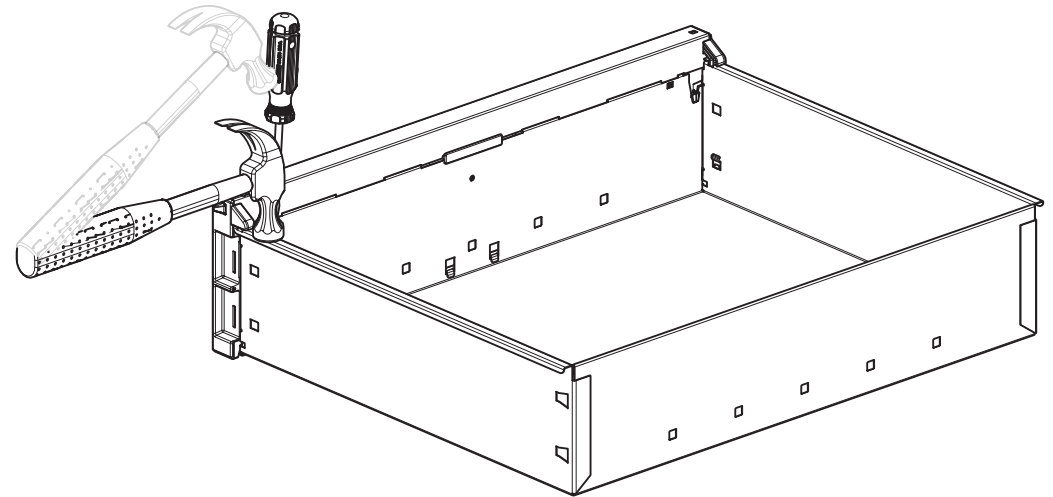
3



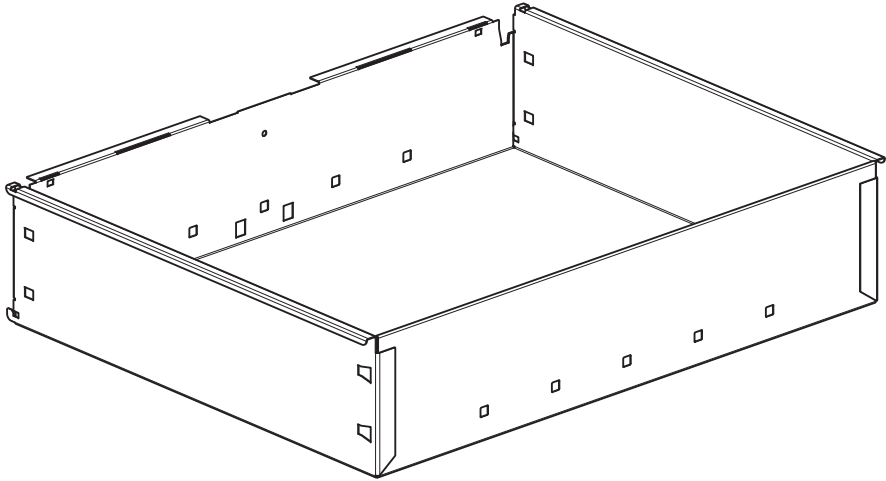
4



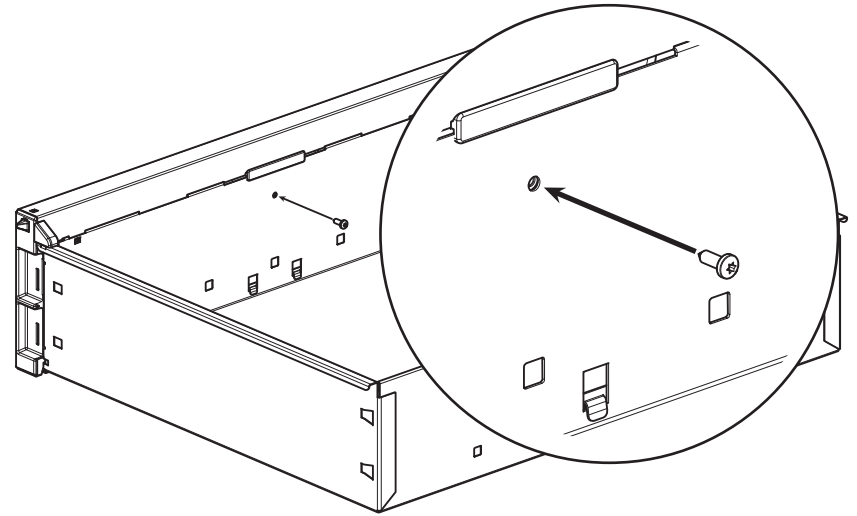
5



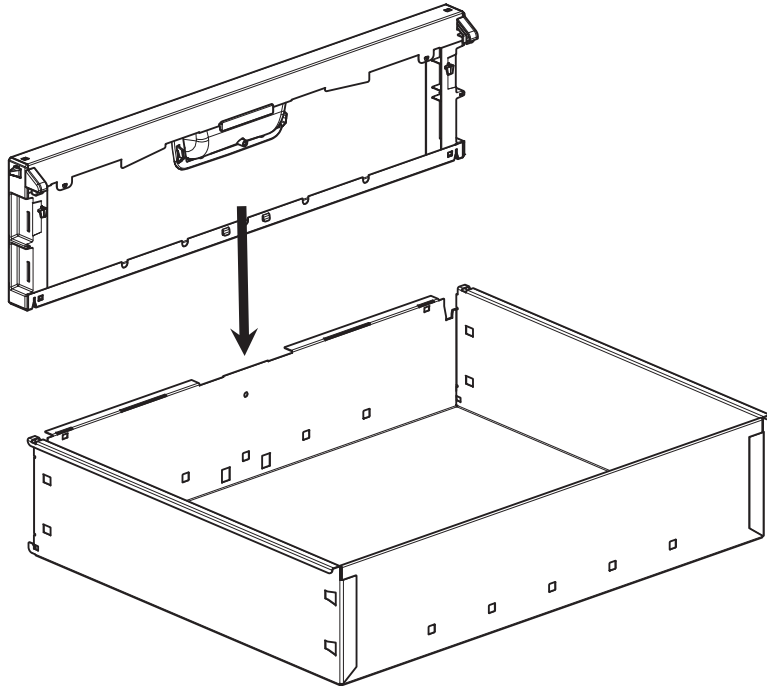
6



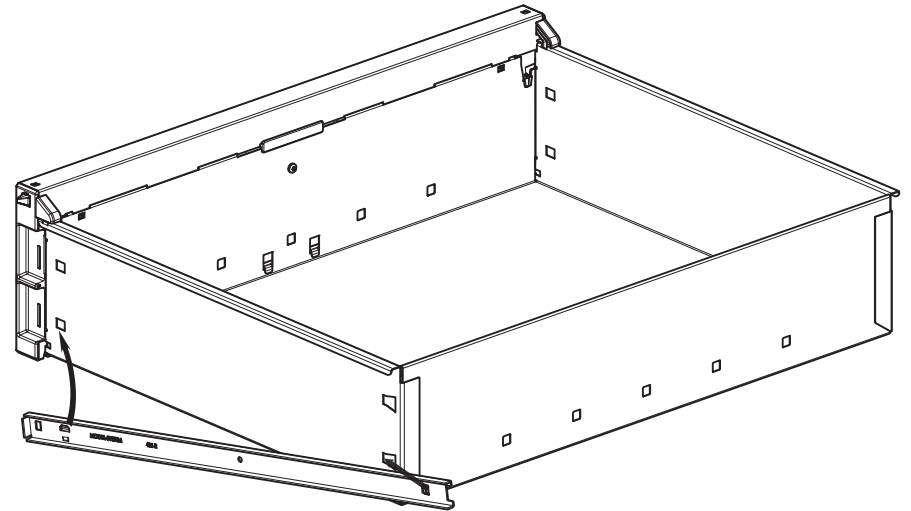
8



7

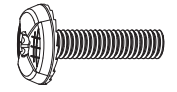
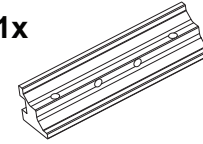


9

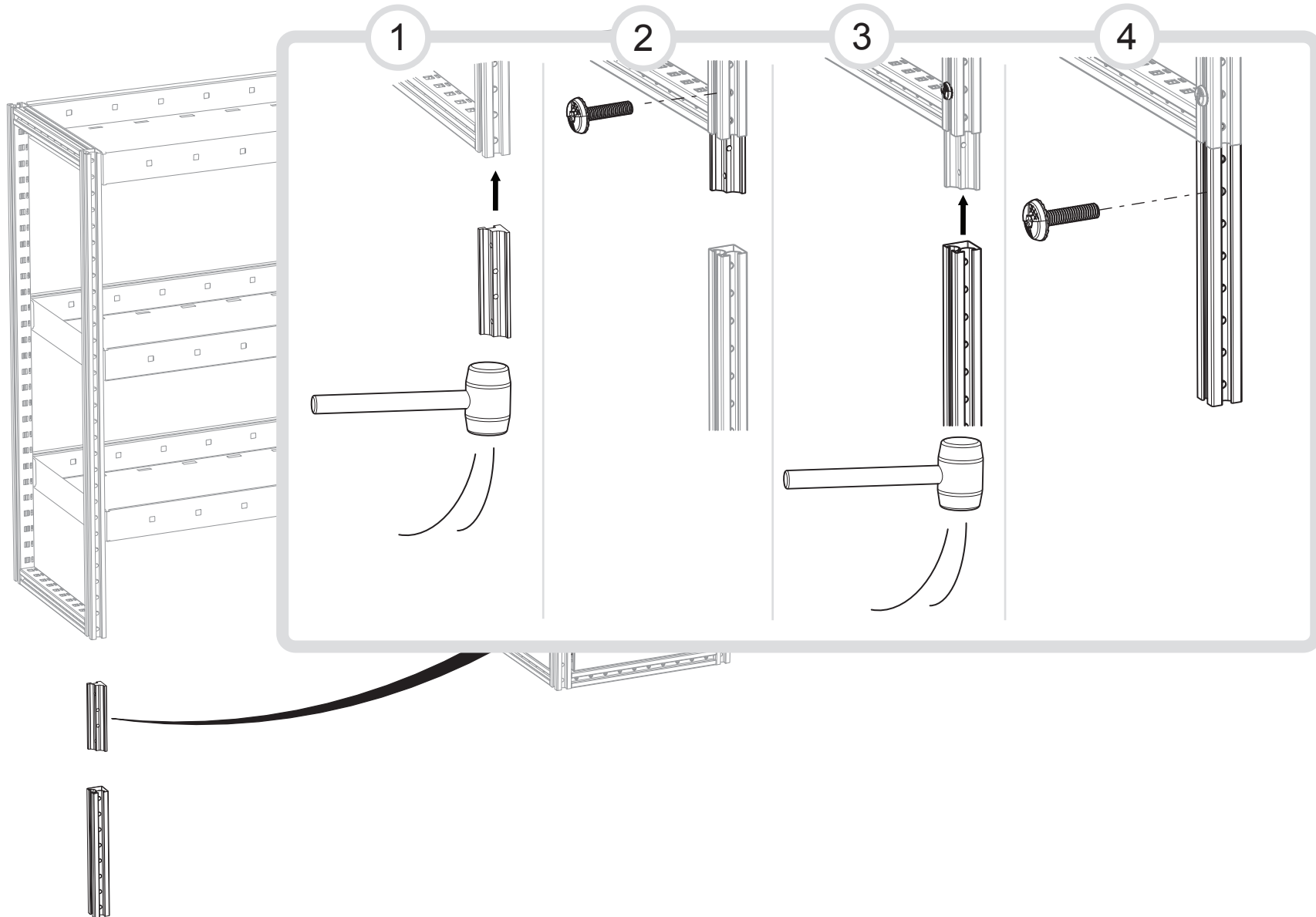


MODUL-SYSTEM 3041_03

1x



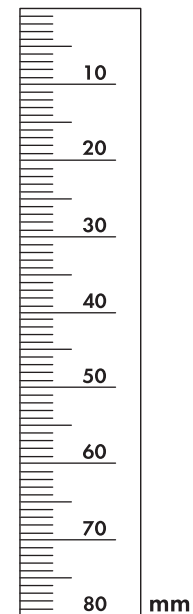
2x (M6 x 25)



11491-03

Skrivsats • Jeu de vis
Set of Nuts and Bolts • Universalmontagesatz

R11893 Rivet 4,8x14 12pc.	R11895 Rivet 4,8x30 24pc.			
R50603 Safety screw M6x35 12pc.	R50607 Safety nut M6 30pc.	R1073 01 Bits M6 1pc. R1074 01 Bits M8 1pc.	R50350 T track nut 20pc.	
R50601 Safety screw M6x16 16pc.	R5022 Plastic nut 4pc.	R1127 Washer 9x28 8pc.	R5061 Safety screw M8x16 6pc.	R50614 Safety screw M8x45 8pc.
R50604 Safety screw M6x40 14pc.	R5060 Safety screw M6x12 6pc.	R50616 Safety nut M8 8pc		



11491-03



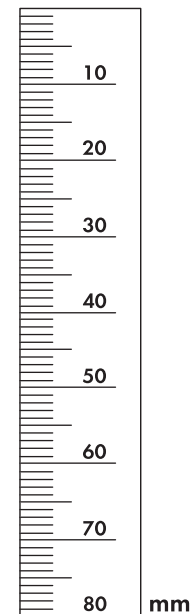
Net weight
1.6 kg
Made in EU



11492-03

Skravsats • Jeu de vis
Set of Nuts and Bolts • Universalmontagesatz

R11893 Rivet 4,8x14 24pc.	R11895 Rivet 4,8x30 24pc.			
R50603 Safety screw M6x35 20pc.	R50607 Safety nut M6 40pc.	R1073 01 Bits M6 1pc. R1074 01 Bits M8 1pc.	R50350 T track nut 40pc.	
R50601 Safety screw M6x16 42pc.	R5022 Plastic nut 8pc.	R1127 Washer 9x28 12pc.	R5061 Safety screw M8x16 6pc.	R50614 Safety screw M8x45 12pc.
R50604 Safety screw M6x40 20pc.	R5060 Safety screw M6x12 6pc.	R50616 Safety nut M8 12pc		



11492-03

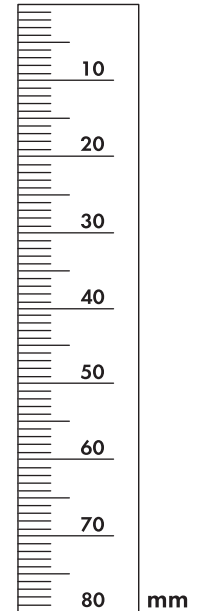
Net weight
2.2 kg
Made in EU



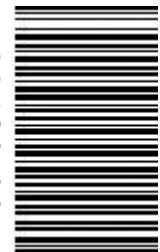
11493-03

Skravsats • Jeu de vis
Set of Nuts and Bolts • Universalmontagesatz

R50603 Safety screw M6x35 30pc.		R50604 Safety screw M6x40 30pc.		R50605 Safety screw M6x45 12pc.		R50609 Safety screw M6x57 4pc.	
R11893 Rivet 4.8x14 50pc.		R50614 Safety screw M8x45 8pc.		R11895 Rivet 4.8x30 50pc.		R50601 Safety screw M6x16 60pc.	
R50350 T-track nut 70pc.	R1073-01 Bits M6 1pc. R1074-01 Bits M8 1pc.			R50614 Safety screw M8x45 8pc.		R5022 Plastic nut 8pc.	R50616 Safety nut M8 20pc
R5060 Safety screw M6x12 10pc.	R50602 Safety screw M6x25 6pc.	R50607 Safety nut M6 50pc.	R5061 Safety screw M8x16 10pc.	R50610 Safety screw M8x25 6pc.	R50611 Safety screw M8x30 6pc.	R50612 Safety screw M8x35 6pc.	R1127 Washer 9x28 12pc.



11493-03



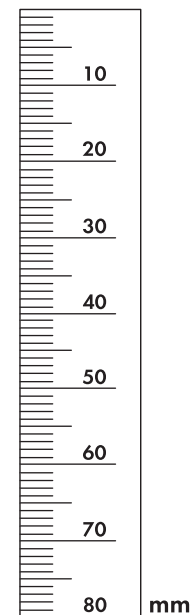
Net weight
2.2 kg
Made in EU



18198-03

Skravsats • Jeu de vis
Set of Nuts and Bolts • Universalmontagesatz

R11895 Rivet 4,8x30 30pc.	R11893 Rivet 4,8x14 80pc.			
R50611 Safety screw M8x30 8pc.	R1074-01 Bits M8 1pc.	R1073-01 Bits M6 1pc.	R50607 Safety nut M6 84pc.	
R50611 Safety screw M8x30 8pc.			R50603 Safety screw M6x35 34pc.	R50603 Safety screw M6x35 34pc.
R50604 Safety screw M6x40 16pc.				



18198-03



Net weight
2,7 kg
Made in EU

