

Fitting instruction



Introduction

These mounting instructions show how a racking system should be installed in the vehicle. The modular racking system can be configured in a variety of ways, but these instructions show a common configuration. These mounting instructions applies for all racking configurations, but the positioning of mounting brackets must be adapted to the specific racking system and the vehicle.

Preparation

Unpack; check the number and type of products supplied.

Preliminary assembly

Read the accompanying mounting instructions for the product in question. Assemble as much as possible outside of the vehicle – it is important that this is done on a flat surface.

Vehicle lining

If protective lining is to be fitted in the cargo space, this should be done before the racking system is lifted into the vehicle. Make sure to mark where the vehicle's structural members are so that you easily can make cut outs in the lining for the racking system's mounting brackets.

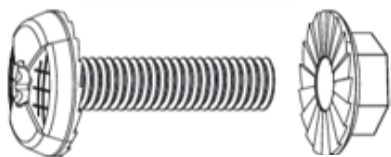
Installation in vehicle

Lift the racking system into the vehicle and adjust into position. The racking system should then be mounted on the walls and floor using the fastening components indicated. Bolts must be used for attachment where possible, otherwise use rivets. Holes drilled into the vehicle's bodywork need rust protection, and metal swarf must be cleaned up to reduce the risk of corrosion to the vehicle's bodywork.

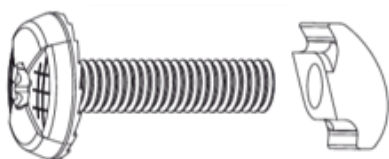
IMPORTANT! Before holes are drilled in the floor and bodywork, find out what is under the floor and behind pillars, e.g. electrical wiring, brake or fuel lines, fuel tank, chassis, etc!

Tightening torque

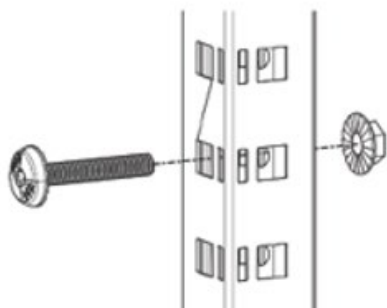
M6



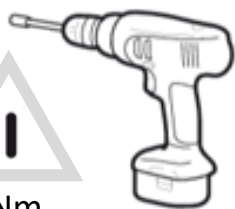
13 Nm



11 Nm



5 Nm



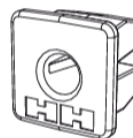
M8



32 Nm



5x12



2 Nm



Mounting brackets

Size of vehicle / recommended number of brackets for fixation of kits.

Don't use less brackets than stated below. The more load the racking needs to take, the more brackets required.



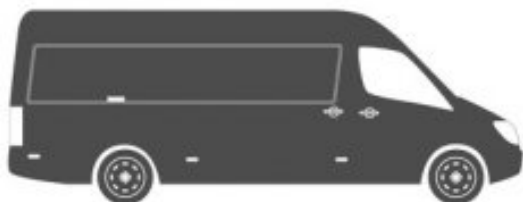
SMALL

Floor: 3-6 pcs / side
Side without door: 5 pcs
Side with door: 4 pcs



MEDIUM

Floor: 3-6 pcs / side
Side without door: 7 pcs
Side with door (depth 324 mm): 4 pcs
Side with door (depth 486 mm): 6 pcs

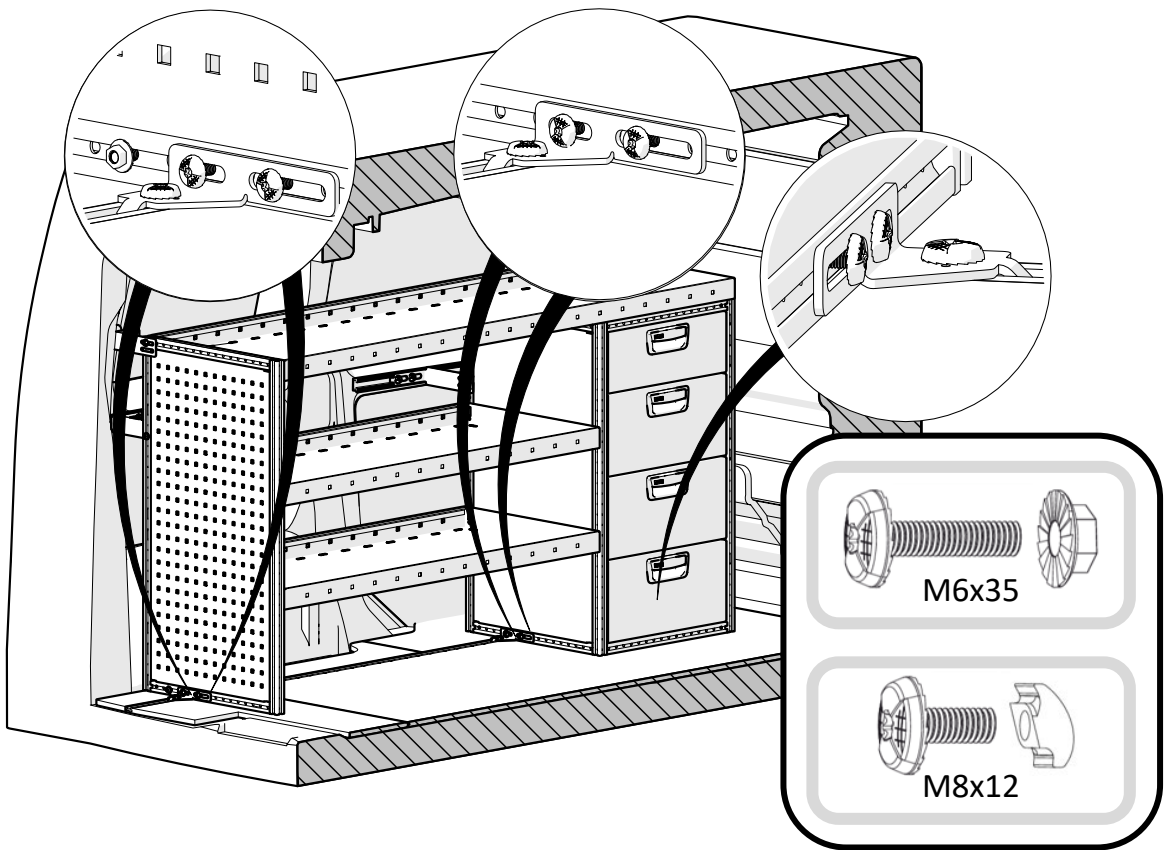


LARGE

Floor: 6-8 pcs / side
Side without door: 9 pcs
Side with door: 7 pcs

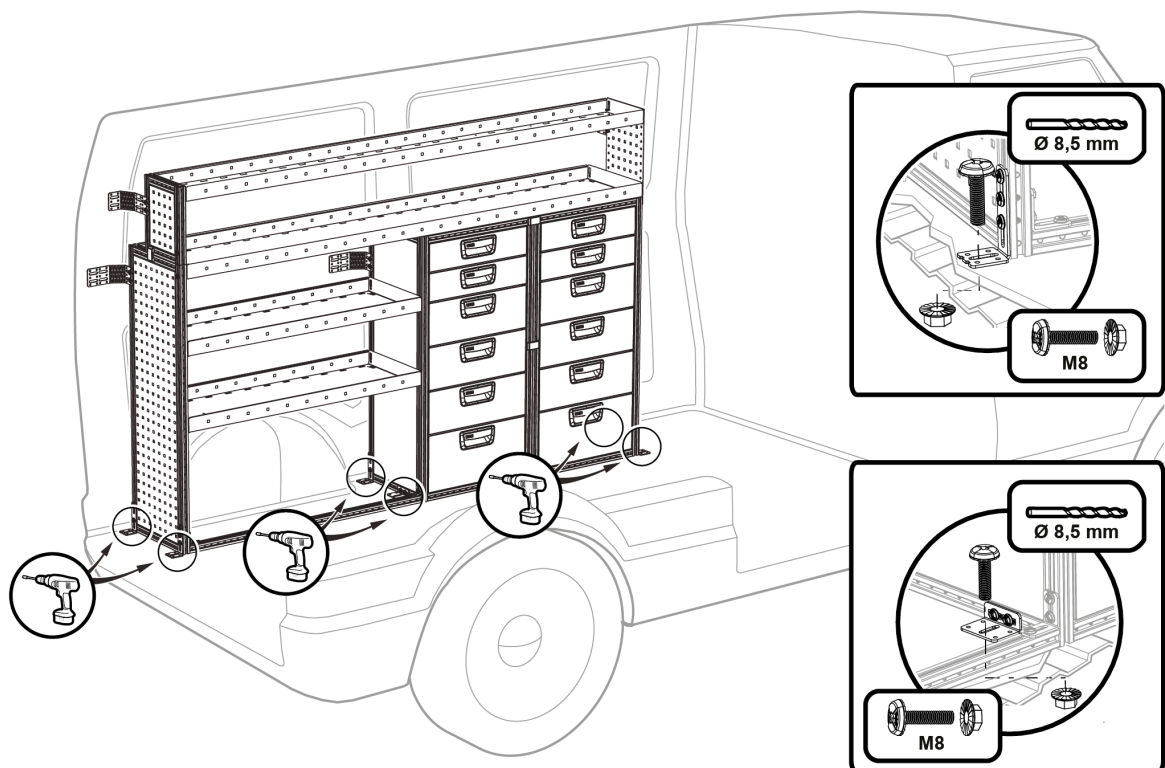
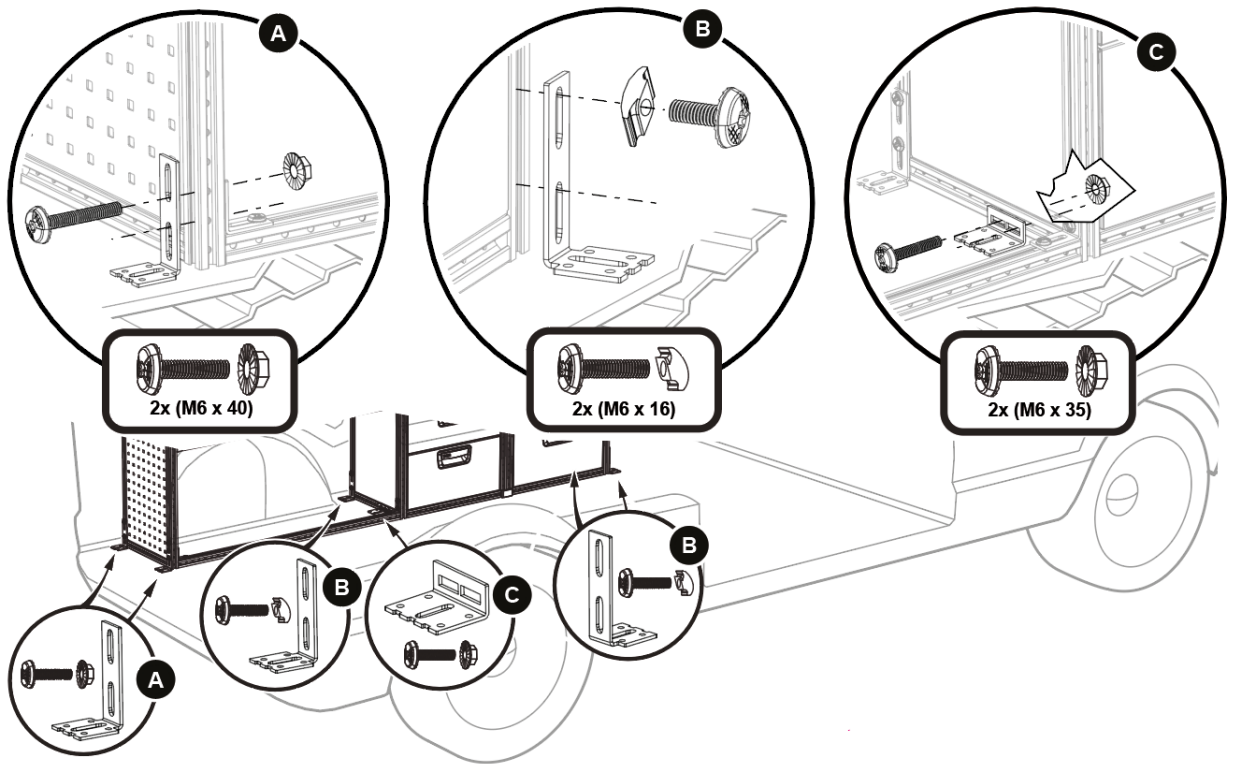
Vehicle install – floor brackets

Non-intrusive installation to Modul-Floor



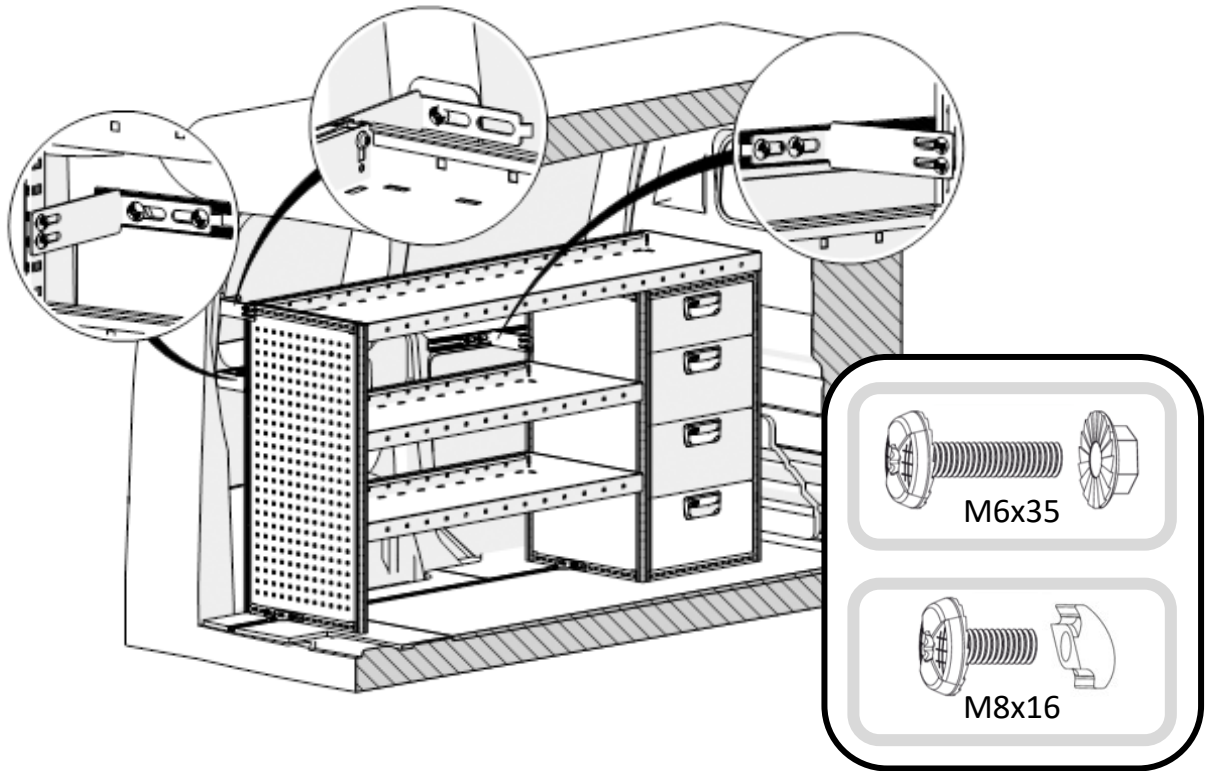
Vehicle install – floor brackets

Intrusive installation using bolts



Vehicle install – wall brackets

Non-intrusive installation to Modul-Rails



Intrusive installation using rivets

